

**deep**  
Caliper

**ÜRÜN KATALOĐU** PRODUCT CATALOGUE

**DÜNYA İÇİN ÜRETİYORUZ...**  
PRODUCE FOR THE WORLD



deep  
Caliper

# OKKS

Orta Karadeniz Kauçuk  
Sanayi ve Ticaret. Ltd. Şti.

# deep Caliper

## Orta Karadeniz Kauçuk Sanayi

### OKKS Rubber Co

1974'de kurulan Orta Karadeniz Kauçuk Sanayi, Elastomer Parçalar, Kauçuk - Metal Titreşim Önleme Parçalarının ve Sızdırmazlık Elemanlarının önde gelen üreticisidir. OKKS Limited, ham malzemenin ürün finisaja kadar tüm üretim süreçlerinde en üst düzeyde kalite kontrolü uygular.

Orta Karadeniz Kauçuk Sanayi, Otomotiv, Tarım, İnşaat Makineleri ve Beyaz Eşya üreticilerine aktif bir şekilde hizmet vermektedir. OKKS olarak müşterilerimizin ihtiyaçlarına göre tasarım ve ortak geliştirme çalışmalarında, son derece deneyimli ve dinamik personelimiz ile sektörlerin gereksinimlerini, kalite ve teknoloji standartlarını sağlama yolunda uzman ve tecrübeli kadromuzla birlikte çalışıyoruz.

OKKS, yenilikçi çözümleri ve kaliteye odaklanması sayesinde birçok önde gelen çok uluslu şirketin tercih ettiği tedarikçi haline gelmiştir. Firmamız özellikle Avrupa'da daha geniş uluslararası pazarlara hizmet vermek için hızlı bir şekilde büyümekte ve Kuzey Afrika ve Asya'ya aktif bir şekilde ihracat yapmaktadır.

Established in 1974, OKKS Rubber Company is a leading manufacturer of Elastomer Parts, Rubber and Metal Components and Sealing Elements. From compounding through finishing OKKS Company maintains the highest quality control of the entire production processes.

OKKS Company is actively serving many industry segments especially Automotive, Agriculture, Construction Machinery and White Goods manufactures. We are specialized in providing design and joint-development in accordance with the needs of our customers. The highly experienced and dynamic staff understand the industries specifications, quality and technology standards.

With its innovative solutions and focus on quality, OKKS Company is a preferred supplier to many leading multi-national companies. OKKS Company is rapidly expanding to serve ever wider international markets particularly in Europe and is actively exporting to North Africa and Asia.



OK  
KS

ORTA KARADENİZ  
KAUÇUK SANAYİ

MİSAFİR  
OTOPARKI

PERSONEL  
PARKI

**Hamur Üretim**  
**Şekillendirme**  
Dough Production



**İmalat**  
Production



**Kalite**  
**Laboratuvarı**  
Quality Laboratory



**Kalıp Ür**  
Mold  
Manufact

# OKKS

Orta Karadeniz Kauçuk  
Sanayi ve Ticaret. Ltd. Şti.

# deep Caliper



**Paketleme**  
Packaging



**Sevkiyat**  
Forwarding



**retim**  
uring



**Depo**  
Warehouse





ISO 9001 Kalite Yönetim Sistemi Sertifikası

TSE 10357 Oto Fren Donanımları Ürün Yeterlilik Belgesi

TSE 4709 6B 6C Sızdırmazlık Elemanları Ürün Yeterlilik Belgesi

ROHS, ASTM, DIN Standartlarına Uyumluluk

ISO 9001 Quality Management System Certificate

TSE 10357 Brake Equipments Quality Certificate

TSE 4709 6B-6C Seal Equipments Quality Certificate

Rohs, Astm and Din Standarts Compatibility

# Dünya için üretiyoruz...

## Produce for the World



Farklı Sektörlerin Ortak Noktası; | Common Point of Different Sectors;  
**Kalite ve Hizmet** | **Quality and Service**

**deep**  
Caliper

## **11** KNORR TYPE

- 11 SB5 ... SN5 Series
- 29 SB6 ... SB7 Series
- 57 SN6 ... SN7 ... SK6 ... SK7 Series
- 81 SL7 ... SM7 Series
- 89 SENSORS

## **101** MERITOR

- 101 DUCO Series
- 115 DX 175 Series
- 127 DX 195 Series
- 139 DX 225 Series
- 149 D3 Series
- 165 ELSA I Series
- 179 ELSA II Series
- 193 ELSA EX225 Series
- 203 ELSA LISA Series

## **211** WABCO

- 211 WBC 17,5 Series
- 223 WBC 19,5 Series
- 235 WBC 19,5 - 22, 5 Series
- 247 WBC MAXX 22 Series
- 255 WBC MAXX 22 T Series
- 261 WBC 1300 V-G Series

## **267** HALDEX

- 267 MARK Series
- 283 MODUL X Series
- 293 MODUL T Series

## **305** HYDRAULIC

## **321** IVECO

## **341** BP

## **353** BREMBO





**DÜNYA İÇİN ÜRETİYORUZ...**  
PRODUCE FOR THE WORLD

**DÜNYA İÇİN ÜRETİYORUZ...**

PRODUCE FOR THE WORLD



**deep**  
Caliper

**KNORR TYPE**

**SB5 ... SN5 ...  
Series**

<b>OKKS NUMBER</b>	3001
--------------------	------



Thrust Part With Bellow

<b>OEM NUMBER</b>	
-------------------	--

NR	OKKS NR	DESCRIPTION	DIMENSION	QTY
1	10001	THRUST PART WITH BELLOW	Ø 69 MM	1
2	11951	TAPPET		1

<b>OKKS NUMBER</b>	3002
--------------------	------



Caliper Piston Repair Kit

<b>OEM NUMBER</b>	K001929 / K097826K50 MAN: 81.50822.6027 / MER: 000 420 4282
-------------------	--

NR	OKKS NR	DESCRIPTION	DIMENSION	QTY
1	3001	THRUST PART WITH BELLOW	Ø 69 MM	1
2	11451	BUSH	Ø 16 x 18 / 10 MM	1

<b>OKKS NUMBER</b>	3003
--------------------	------



Caliper Boots & Piston Repair Kit

<b>OEM NUMBER</b>	
-------------------	--

NR	OKKS NR	DESCRIPTION	DIMENSION	QTY
1	3001	THRUST PART WITH BELLOW	Ø 69 MM	1
2	11451	BUSH	Ø 16 x 18 / 10 MM	1
3	10004	SHAFT HOUSING BOOT	Ø 69 MM	1

<b>OKKS NUMBER</b>	3004
--------------------	------



Caliper Boots & Piston Repair Kit

<b>OEM NUMBER</b>	
-------------------	--

NR	OKKS NR	DESCRIPTION	DIMENSION	QTY
1	10006	SHAFT HOUSING BOOT	Ø 69 MM	1
2	3001	THRUST PART WITH BELLOW	Ø 69 MM	1
3	11451	BUSH	Ø 16 X 18 / 10 MM	1

**OKKS NUMBER** 3005



Caliper Boots & Piston Repair Kit

**OEM NUMBER**

NR	OKKS NR	DESCRIPTION	DIMENSION	QTY
1	3001	THRUST PART WITH BELLOW	Ø 69 MM	1
2	10004	SHAFT HOUSING BOOT	Ø 69 MM	1
3	3107	BELLOW CAP SET		1
4	11451	BUSH	Ø 16 X 18 / 10 MM	1
5	10022	RUBBER BUSH	Ø 34 X 40 / 50 MM	1
6	3108	PIN BOOT SET		1

**OKKS NUMBER** 3006



Caliper Boots & Piston Repair Kit

**OEM NUMBER**

NR	OKKS NR	DESCRIPTION	DIMENSION	QTY
1	3001	THRUST PART WITH BELLOW	Ø 69 MM	1
2	10006	SHAFT HOUSING BOOT	Ø 69 MM	1
3	3108	PIN BOOT SET		1
4	3107	BELLOW CAP SET		1
5	10022	RUBBER BUSH	Ø 34 X 40 / 50 MM	1
6	11451	BUSH	Ø 16 X 18 / 10 MM	1

**OKKS NUMBER** 3007



**OEM NUMBER**

NR	OKKS NR	DESCRIPTION	DIMENSION	QTY
1	10002	TRUST BELLOW		1
2	11952	TAPPET		1

**OKKS NUMBER** 3008



Caliper Piston Repair Kit

**OEM NUMBER** I1370760065

NR	OKKS NR	DESCRIPTION	DIMENSION	QTY
1	3007	THRUST PART WITH BELLOW	Ø 74 MM	1
2	11451	BUSH	Ø 16 X 18 / 10 MM	1



Caliper Boots & Piston Repair Kit

<b>OEM NUMBER</b>	
-------------------	--



Caliper Boots & Piston Repair Kit

<b>OEM NUMBER</b>	
-------------------	--



Caliper Boots & Piston Repair Kit

<b>OEM NUMBER</b>	
-------------------	--



Caliper Boots & Piston Repair Kit

<b>OEM NUMBER</b>	
-------------------	--

NR	OKKS NR	DESCRIPTION	DIMENSION	QTY
1	11451	BUSH	Ø 16 x 18 / 10 MM	1
2	3007	THRUST PART WITH BELLOW	Ø 74 MM	1
3	10003	SHAFT HOUSING BOOT	Ø 74 MM	1

NR	OKKS NR	DESCRIPTION	DIMENSION	QTY
1	3007	THRUST PART WITH BELLOW	Ø 74 MM	1
2	10005	SHAFT HOUSING BOOT	Ø 74 MM	1
3	11451	BUSH	Ø 16 x 18 / 10 MM	1

NR	OKKS NR	DESCRIPTION	DIMENSION	QTY
1	3007	THRUST PART WITH BELLOW	Ø 74 MM	1
2	10003	SHAFT HOUSING BOOT	Ø 74 MM	1
3	3107	BELLOW CAP SET		1
4	10022	RUBBER BUSH	Ø 34 x 40 / 50 mm	1
5	3108	PIN BOOT SET		1
6	11451	BUSH	Ø 16 x 18 / 10 mm	1

NR	OKKS NR	DESCRIPTION	DIMENSION	QTY
1	3007	THRUST PART WITH BELLOW	Ø 74 MM	1
2	10005	SHAFT HOUSING BOOT	Ø 74 MM	1
3	3008	PIN BOOT SET		1
4	3007	BELLOW CAP SET		1
5	10022	RUBBER BUSH	Ø 34 X 40 / 50 MM	1
6	11451	BUSH	Ø 16 X 18 / 10 MM	1

<b>OKKS NUMBER</b>	3013
--------------------	------

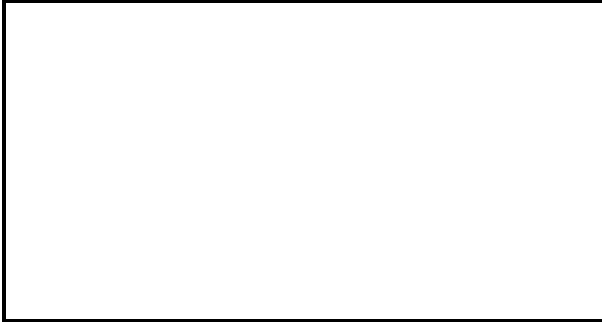


Caliper Guides & Seals Repair Kit

<b>OEM NUMBER</b>	I132809/0062 / SAF: 85317002100 MERC: 000 420 2282/000 420 0782 MAN: 81508226009
-------------------	--

NR	OKKS NR	DESCRIPTION	DIMENSION	QTY
1	11467	BUSH	Ø 36 x 40 / 82 mm	1
2	11049	CALIPER PIN	Ø 36/145 MM	1
3	11139	PIN BOLT	Ø M16x1.5/150 MM	1
4	11025	CALIPER PIN	Ø 34/80 MM	1
5	11129	PIN BOLT	Ø M16x1.5/80 MM	1
6	3107	BELLOW CAP SET		1
7	10022	RUBBER BUSH	Ø 34 x 40 / 50 mm	1
8	3108	PIN BOOT SET		1

<b>OKKS NUMBER</b>	
--------------------	--



Caliper Guides & Seals Repair Kit

<b>OEM NUMBER</b>	
-------------------	--

NR	OKKS NR	DESCRIPTION	DIMENSION	QTY

<b>OKKS NUMBER</b>	3015
--------------------	------



Caliper Guides & Seals Repair Kit

<b>OEM NUMBER</b>	K001928 / MAN: 81.50822.6026 MERC: 000420 4182 / SCANIA: 2121650
-------------------	---

NR	OKKS NR	DESCRIPTION	DIMENSION	QTY
1	10100	PIN BOOT		2
2	11457	BUSH	Ø 30 x 34 / 65 mm	1
3	11011	CALIPER PIN	Ø 30/99 MM	1
4	11133	PIN BOLT	Ø M16x1.5/105 MM	1
5	11454	BUSH	Ø 30 x 34 / 20 mm	1
6	11485	PIN CAP	Ø 34/14 MM	2
7	11006	CALIPER PIN	Ø 30/72 MM	1
8	11128	PIN BOLT	Ø M16x1.5/75 MM	1
9	10101	PIN BOOT RING		2

<b>OKKS NUMBER</b>	3016
--------------------	------



Caliper Guides & Seals Repair Kit

<b>OEM NUMBER</b>	I136910/0062 / MERC:000 420 1282 MAN: 81.50822.6009 / SCANIA: 1390427 IVECO: 93162048 / NEOPLAN: 11015565
-------------------	---

NR	OKKS NR	DESCRIPTION	DIMENSION	QTY
1	11467	BUSH	Ø 36 x 40 / 82 MM	1
2	11049	CALIPER PIN	Ø 36 / 145 MM	1
3	11139	PIN BOLT	M16 x 1.5 / 150 MM	1
4	11025	CALIPER PIN	Ø 34 / 80 MM	1
5	11130	PIN BOLT	M16 x 1.5 / 85 MM	1
6	3107	BELLOW CAP SET		1
7	10022	RUBBER BUSH	Ø 34 x 40 / 50 MM	1
8	3108	PIN BOOT SET		1

<b>OKKS NUMBER</b>	3017
--------------------	------



Caliper Guides & Seals Repair Kit

<b>OEM NUMBER</b>	K001274 / K002716
-------------------	-------------------

NR	OKKS NR	DESCRIPTION	DIMENSION	QTY
1	11467	BUSH	Ø 36 x 40 / 82 MM	1
2	11046	CALIPER PIN	Ø 36/102 MM	1
3	11130	PIN BOLT	M16 x 1.5 / 85 MM	1
4	11018	CALIPER PIN	Ø 32/80 MM	1
5	11129	PIN BOLT	M16 x 1.5 / 80 MM	1
6	3108	PIN BOOT SET		1
7	3044	RUBBER BUSH KIT	39 MM	1
8	11490	PIN CAP	Ø 40 / 11 mm	1
9	11513	PIN BOLT RING		1

<b>OKKS NUMBER</b>	3018
--------------------	------



Caliper Guides & Seals Repair Kit

<b>OEM NUMBER</b>	I1358510062 / MERC: 000 420 1182 SCANIA: 1415149
-------------------	---

NR	OKKS NR	DESCRIPTION	DIMENSION	QTY
1	11049	CALIPER PIN	Ø 36/145 MM	1
2	11026	CALIPER PIN	Ø 34/120 MM	1
3	11139	PIN BOLT	M16 x 1.5 / 150 MM	1
4	11136	PIN BOLT	M16 x 1.5 / 125 mm	1
5	3107	BELLOW CAP SET		1
6	3108	PIN BOOT SET		1
7	11467	BUSH	Ø 36 x 40 / 82 MM	1
8	10066	RUBBER BUSH	Ø 34 x 40 / 95 mm	1

<b>OKKS NUMBER</b>	3019
--------------------	------



Caliper Guides & Seals Repair Kit

<b>OEM NUMBER</b>	K000365 / MERC: A 000 420 2282
-------------------	--------------------------------

NR	OKKS NR	DESCRIPTION	DIMENSION	QTY
1	3108	PIN BOOT SET		1
2	3103	PIN CAP SET	Ø 54 / 28 mm	1
3	10022	RUBBER BUSH	Ø 34x40/50 MM	1
4	3046	RUBBER BUSH KIT	39 MM	1
5	11467	BUSH	Ø 36x40/82 MM	1
6	11047	CALIPER PIN	Ø 36/114 MM	1
7	11018	CALIPER PIN	Ø 32/80 MM	1
8	11025	CALIPER PIN	Ø 34/80 MM	1
9	11130	PIN BOLT	Ø M16x1.5/85 MM	2
10	11129	PIN BOLT	Ø M16x1.5/80 MM	1
11	11490	PIN CAP	Ø 40/11 MM	1

<b>OKKS NUMBER</b>	3020
--------------------	------



Caliper Guides & Seals Repair Kit

<b>OEM NUMBER</b>	K004168 / K010766K62 / SAF: 3.434.3815.00
-------------------	---

NR	OKKS NR	DESCRIPTION	DIMENSION	QTY
1	11467	BUSH	Ø 36x40/82 MM	1
2	11047	CALIPER PIN	Ø 36/114 MM	1
3	11044	CALIPER PIN	Ø 36/64 MM	1
4	11127	PIN BOLT	Ø M16x1.5/70 MM	1
5	11130	PIN BOLT	Ø M16x1.5/85 MM	1
6	3108	PIN BOOT SET		2
7	11491	PIN CAP	Ø 40/14.5 MM	1
8	11493	PIN CAP	Ø 40/24.5 MM	1
9	11474	BUSH	Ø 36x40/20 MM	1



<b>OKKS NUMBER</b>	3021
	
Caliper Guides & Seals Repair Kit	
<b>OEM NUMBER</b>	K048434K62 / K067417K50 / K087279K62 SAF: 3.434.3820.00

NR	OKKS NR	DESCRIPTION	DIMENSION	QTY
1	11467	BUSH	Ø 36x40/82 MM	1
2	11047	CALIPER PIN	Ø 36/114 MM	1
3	11130	PIN BOLT	Ø M16x1.5/85 MM	1
4	11018	CALIPER PIN	Ø 32/80 MM	1
5	11129	PIN BOLT	Ø M16x1.5/80 MM	1
6	3108	PIN BOOT SET		1
7	3045	RUBBER BUSH KIT	35 MM	1
8	3103	PIN CAP SET	Ø 54 / 28 mm	1
9	11491	PIN CAP	Ø 40/14.5 MM	1
10	11531	RUBBER BUSH STOP RING	39 MM	1
11	10047	STOP RING PLASTIK		1

<b>OKKS NUMBER</b>	3023
	
Caliper Guides & Seals Repair Kit	
<b>OEM NUMBER</b>	K048371K50 MAN: 81.50822.6036 / SCANIA: 2121648

NR	OKKS NR	DESCRIPTION	DIMENSION	QTY
1	11467	BUSH	Ø 36x40/82 MM	1
2	11047	CALIPER PIN	Ø 36/114 MM	1
3	11130	PIN BOLT	Ø M16x1.5/85 MM	1
4	11018	CALIPER PIN	Ø 32/80 MM	1
5	11129	PIN BOLT	Ø M16x1.5/80 MM	1
6	3108	PIN BOOT SET		1
7	3046	RUBBER BUSH KIT	39 MM	1
8	3103	PIN CAP SET	Ø 54 / 28 mm	1

<b>OKKS NUMBER</b>	3024
	
Caliper Guides & Seals Repair Kit	
<b>OEM NUMBER</b>	K048396K50 / SCANIA: 2121641

NR	OKKS NR	DESCRIPTION	DIMENSION	QTY
1	11467	BUSH	Ø 36x40/82 MM	1
2	11047	CALIPER PIN	Ø 36/114 MM	1
3	11130	PIN BOLT	Ø M16x1.5/85 MM	1
4	11018	CALIPER PIN	Ø 32/80 MM	1
5	11129	PIN BOLT	Ø M16x1.5/80 MM	1
6	3108	PIN BOOT SET		1
7	3045	RUBBER BUSH KIT	35 MM	1
8	3103	PIN CAP SET	Ø 54 / 28 mm	1

<b>OKKS NUMBER</b>	3025
	
Caliper Guides & Seals Repair Kit	
<b>OEM NUMBER</b>	K001532 / SCANIA: 1472919

NR	OKKS NR	DESCRIPTION	DIMENSION	QTY
1	11467	BUSH	Ø 36 x 40 / 82 MM	1
2	11047	CALIPER PIN	Ø 36 / 114 MM	1
3	11129	PIN BOLT	M16 x 1.5 / 80 MM	1
4	11018	CALIPER PIN	Ø 32 / 80 MM	1
5	11130	PIN BOLT	M16x 1.5 / 85 MM	1
6	3108	PIN BOOT SET		1
7	3043	RUBBER BUSH SET	Ø 35 MM	1
8	3103	PIN CAP SET	Ø 54 / 28 mm	1
9	11513	PIN BOLT RING		1
10	11531	RUBBER BUSH STOP RING	Ø 39 MM	1
11	10047	STOP RING PLASTIK		1

<b>OKKS NUMBER</b>	3026
--------------------	------



Caliper Guide & Rubber Bush Repair Kit

<b>OEM NUMBER</b>	
-------------------	--

<b>OKKS NUMBER</b>	3029
--------------------	------



Caliper Guide & Rubber Bush Repair Kit

<b>OEM NUMBER</b>	K000698
-------------------	---------

<b>OKKS NUMBER</b>	3030
--------------------	------



Caliper Guides & Seals Repair Kit

<b>OEM NUMBER</b>	
-------------------	--

<b>OKKS NUMBER</b>	3031
--------------------	------



Caliper Guide & Bush Repair Kit

<b>OEM NUMBER</b>	II36847/0064 / SCANIA: 2121840 / DAF: 1448910 SAF: 3.434.3801.00
-------------------	---

NR	OKKS NR	DESCRIPTION	DIMENSION	QTY
1	11047	CALIPER PIN	Ø 36 / 114 MM	1
2	11018	CALIPER PIN	Ø 32 / 80 MM	1
3	11129	PIN BOLT	M16 x 1.5 / 80 MM	1
4	11130	PIN BOLT	M16x 1.5 / 85 MM	1
5	3043	RUBBER BUSH SET	Ø 35 MM	1
6	11531	RUBBER BUSH STOP RING	Ø 39 MM	1
7	10047	STOP RING PLASTIK		1

NR	OKKS NR	DESCRIPTION	DIMENSION	QTY
1	11018	CALIPER PIN	Ø 32/80 MM	1
2	11129	PIN BOLT	Ø M16x1.5/80 MM	1
3	3044	RUBBER BUSH KIT	Ø 39 MM	1
4	11513	PIN BOLT RING		1
5	11534	RUBBER BUSH STOP RING	Ø 35 MM	1
6	10047	STOP RING PLASTIK		1

NR	OKKS NR	DESCRIPTION	DIMENSION	QTY
1	11044	CALIPER PIN	Ø 36/64 MM	1
2	11127	PIN BOLT	Ø M16x1.5/70 MM	1
3	3108	PIN BOOT SET		1
4	11493	PIN CAP	Ø 40/24.5 MM	1
5	11474	BUSH	Ø 36x40/20 MM	1

NR	OKKS NR	DESCRIPTION	DIMENSION	QTY
1	11025	CALIPER PIN	Ø 34 / 80 MM	1
2	11130	PIN BOLT	M16 x 1.5 / 85 MM	1
3	10022	RUBBER BUSH	Ø 34x40/50 MM	1



<b>OKKS NUMBER</b>	3036
--------------------	------



Caliper Seals Repair Kit

<b>OEM NUMBER</b>	I1350470061 / MERC: 001 420 6683 MAN: 81.50822.6005
-------------------	--

<b>OKKS NUMBER</b>	3037
--------------------	------



Caliper Cap Set

<b>OEM NUMBER</b>	K001301 / I1350470063 / MAN: 81.50822.6025 SCANIA: 1439494 / 2121839
-------------------	---

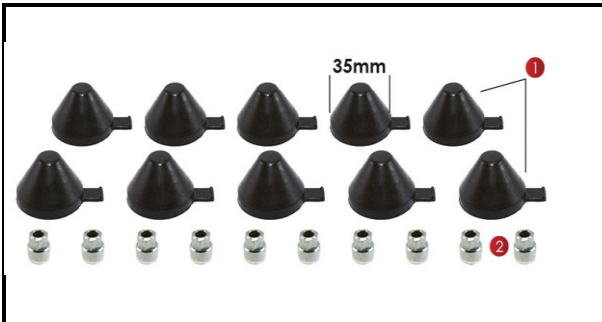
<b>OKKS NUMBER</b>	3038
--------------------	------



Caliper Adjusting Mechanism Cap Set

<b>OEM NUMBER</b>	K000945 / DAF: 1439493 / SAF: 85317002500 MAN: 81.50822.6021 / 81.50822.6024
-------------------	---

<b>OKKS NUMBER</b>	3039
--------------------	------



Caliper Adjusting Mechanism Cap Set

<b>OEM NUMBER</b>	K003902 / ADB22X / MERC: 000 420 32 48 SAF: 2121869 / 2198536
-------------------	--

NR	OKKS NR	DESCRIPTION	DIMENSION	QTY
1	3108	PIN BOOT SET		1
2	3107	BELLOW SET		1

NR	OKKS NR	DESCRIPTION	DIMENSION	QTY
1	3107	BELLOW CAP SET		1
2	3103	PIN CAP SET		1

NR	OKKS NR	DESCRIPTION	DIMENSION	QTY
1	10021	ADJUSTING MECHANISM CAP	38 MM	10
2	10065	ADJUSTING MECHANISM CAP		10
3	11180	ADJUSTING MECHANISM ADAPTER		10

NR	OKKS NR	DESCRIPTION	DIMENSION	QTY
1	10020	ADJUSTING MECHANISM CAP	35MM	10
2	11180	ADJUSTING MECHANISM ADAPTER		10



OKKS NUMBER 11364



Calibration Chain (12 Links)

OEM NUMBER

NR	OKKS NR	DESCRIPTION	DIMENSION	QTY

OKKS NUMBER 11365



Calibration Chain (14 Links)

OEM NUMBER

NR	OKKS NR	DESCRIPTION	DIMENSION	QTY

OKKS NUMBER 3047



Caliper Shaft Housing

OEM NUMBER

NR	OKKS NR	DESCRIPTION	DIMENSION	QTY
1	11408	CELIPER BRIDGE ASSEMBLY		1
2	11251	SPRING		2

OKKS NUMBER 3048



Caliper Shaft Housing

OEM NUMBER

NR	OKKS NR	DESCRIPTION	DIMENSION	QTY
1	11409	CALIPER BRIDGE ASSEMBLY		1
2	11251	SPRING		2

**OKKS NUMBER** 3050

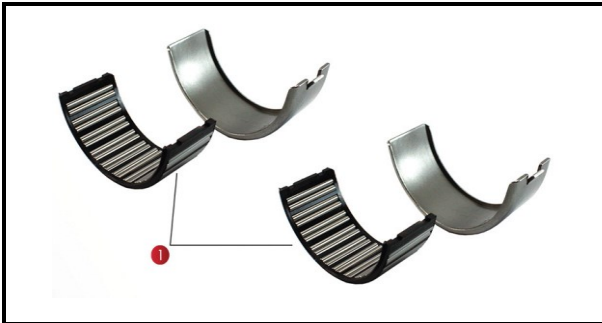


Caliper Bridge & Cover Repair Kit

**OEM NUMBER**

NR	OKKS NR	DESCRIPTION	DIMENSION	QTY
1	10067	SHEET METAL CAP SEAL		1
2	11726	SHEET METAL CAP		1
3	11104	BOLT	M8 x 1.25 / 16 MM	6
4	11409	CALIPER BRIDGE ASSEMBLY		1
5	11251	SPRING		2

**OKKS NUMBER** 3051



Roller Bearing

**OEM NUMBER**

NR	OKKS NR	DESCRIPTION	DIMENSION	QTY
1	11281	NEEDLE BEARING SET		2

**OKKS NUMBER** 3052



Roller Bearing

**OEM NUMBER**

NR	OKKS NR	DESCRIPTION	DIMENSION	QTY
1	11280	NEEDLE BEARING		2

**OKKS NUMBER** 11157



Calibration Bolt

**OEM NUMBER**

NR	OKKS NR	DESCRIPTION	DIMENSION	QTY

OKKS NUMBER 3054



OEM NUMBER Z001548

NR	OKKS NR	DESCRIPTION	DIMENSION	QTY
1	11180	ADJUSTING MECHANISM ADAPTER		10

OKKS NUMBER 3055



OEM NUMBER

NR	OKKS NR	DESCRIPTION	DIMENSION	QTY
1	11721	CALIPER MECHANISM GEAR SET		5

OKKS NUMBER 3056



Caliper Pignon Shaft Set

OEM NUMBER

NR	OKKS NR	DESCRIPTION	DIMENSION	QTY
1	11723	PINION SHAFT		5

OKKS NUMBER 3057



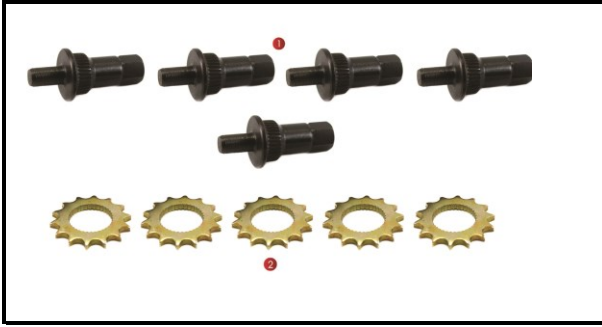
Caliper Pignon Shaft Set

OEM NUMBER

NR	OKKS NR	DESCRIPTION	DIMENSION	QTY
1	11722	CALIPER ADJUSTING SHAFT		5



OKKS NUMBER 3058



Caliper Pignon Shaft Set

OEM NUMBER

NR	OKKS NR	DESCRIPTION	DIMENSION	QTY
1	11721	CALIPER PINION SHAFT		5
2	11722	CALIPER MECHANISM GEAR		5

OKKS NUMBER 3059

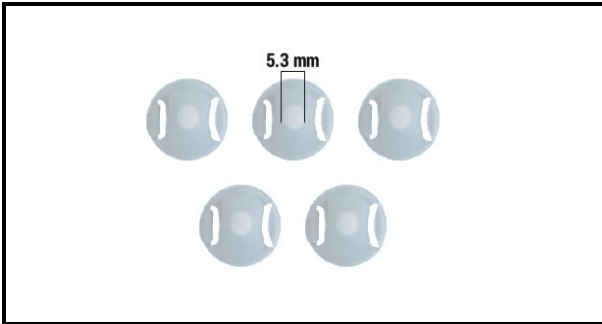


Caliper Cover & Seals Repair Kit

OEM NUMBER

NR	OKKS NR	DESCRIPTION	DIMENSION	QTY
1	10067	SHEET METAL CAP SEAL		1
2	11726	SHEET METAL CAP		1
3	11104	BOLT	M8 x 1.25 / 16 MM	6

OKKS NUMBER 3060



Plastic Shaft

OEM NUMBER

NR	OKKS NR	DESCRIPTION	DIMENSION	QTY
1	10086	SENSOR ADJUSTER PLASTIC	5,3 MM	5


OKKS NUMBER 3061



Plastic Shaft

OEM NUMBER

NR	OKKS NR	DESCRIPTION	DIMENSION	QTY
1	10082	SENSOR COVER GEAR SHAFT		5

<b>OKKS NUMBER</b>	3062
	


Caliper Lever Support

<b>OEM NUMBER</b>	
-------------------	--

<b>OKKS NUMBER</b>	3063
	

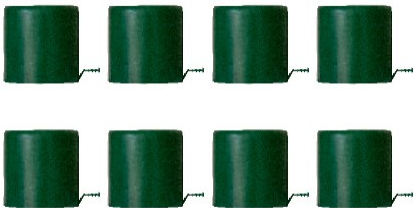
Caliper Cover Seal

<b>OEM NUMBER</b>	
-------------------	--

<b>OKKS NUMBER</b>	3064
	

Caliper Bushing Cap (Short)

<b>OEM NUMBER</b>	
-------------------	--

<b>OKKS NUMBER</b>	3065
	

Caliper Bushing Cap (Long)

<b>OEM NUMBER</b>	
-------------------	--

NR	OKKS NR	DESCRIPTION	DIMENSION	QTY
1	10089	CALIPER SUPPORT SEAL		10

NR	OKKS NR	DESCRIPTION	DIMENSION	QTY
1	10067	SHEET METAL CAP SEAL		5

NR	OKKS NR	DESCRIPTION	DIMENSION	QTY
1	10083	RUBBER BUSH CAP	SHORT	8

NR	OKKS NR	DESCRIPTION	DIMENSION	QTY
1	10084	RUBBER BUSH CAP	LONG	8

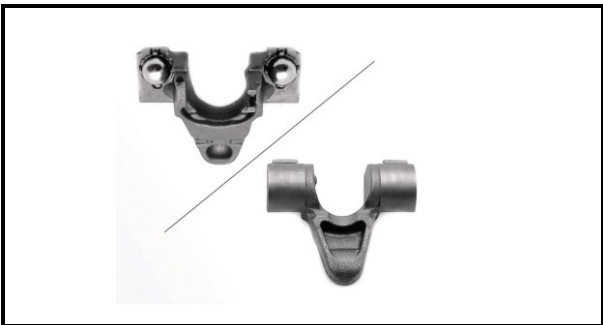
OKKS NUMBER 11367



Caliper Lever

OEM NUMBER

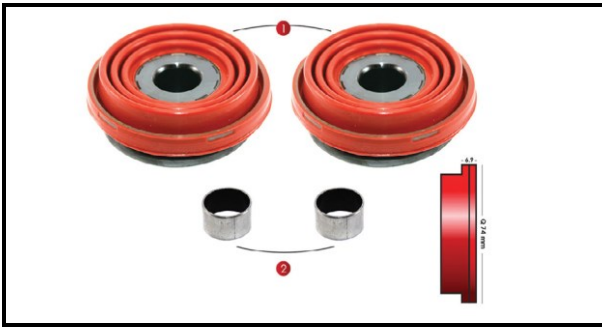

OKKS NUMBER 11368



Caliper Lever

OEM NUMBER


<b>OKKS NUMBER</b>	3071
--------------------	------



Caliper Piston Repair Kit

<b>OEM NUMBER</b>	II304130065 / II179320065 / SCANIA: 1390429
-------------------	---

NR	OKKS NR	DESCRIPTION	DIMENSION	QTY
	3007	THRUST PART WITH BELLOW	Ø 74 MM	2
	11451	BUSH	Ø 16 x 18 / 10 MM	2

<b>OKKS NUMBER</b>	3072
--------------------	------



Caliper Boots & Piston Repair Kit

<b>OEM NUMBER</b>	K000944 / K010604 / DAF: 1448913 / 1623221 MERC: A 000 420 3982 / A000 420 4882 / A 000 420 0682 SCANIA: 1743421/1746824/1756389/1759811/1723414/2121859 MAN: 81.50822.6007 / 81.50822.6022 / 81.50822.6032
-------------------	--

NR	OKKS NR	DESCRIPTION	DIMENSION	QTY
1	3007	THRUST PART WITH BELLOW	Ø 74 MM	2
2	11451	BUSH	Ø 16 x 18 / 10 MM	2
3	10003	SHAFT HOUSING BOOT	Ø 74 MM	2

<b>OKKS NUMBER</b>	3073
--------------------	------



Caliper Boots & Piston Repair Kit

<b>OEM NUMBER</b>	
-------------------	--

NR	OKKS NR	DESCRIPTION	DIMENSION	QTY
1	3007	THRUST PART WITH BELLOW	74 MM	2
2	11451	BUSH	Ø 16x18/10 MM	2
3	10022	RUBBER BUSH	Ø 34 x 40 / 50 mm	1
4	3107	BELLOW CAP SET		1
5	3108	PIN BOOT SET		1

<b>OKKS NUMBER</b>	3074
--------------------	------



Caliper Boots & Piston Repair Kit

<b>OEM NUMBER</b>	
-------------------	--

NR	OKKS NR	DESCRIPTION	DIMENSION	QTY
1	3007	THRUST PART WITH BELLOW	74 MM	2
2	11451	BUSH	Ø 16x18/10 MM	2
3	10022	RUBBER BUSH	Ø 36x40/50 MM	1
4	3107	BELLOW CAP SET		1
5	3108	PIN BOOT SET		1
6	10003	SHAFT HOUSING BOOT		2
7	11467	BUSH	Ø 36x40/82 MM	1
8	3103	STEEL CAP SET		1
9	11513	PIN BOLT RING		1
10	10021	ADJUSTING MECHANISM CAP	Ø38 MM	1

**OKKS NUMBER** 3075



Caliper Boots & Piston Repair Kit

**OEM NUMBER** K010606

NR	OKKS NR	DESCRIPTION	DIMENSION	QTY
1	3007	THRUST PART WITH BELLOW	74 MM	2
2	11451	BUSH	Ø 16x18/10 MM	2
3	10005	SHAFT HOUSING BOOT	74 MM	2

**OKKS NUMBER** 3076



Caliper Boots & Piston Repair Kit

**OEM NUMBER**

NR	OKKS NR	DESCRIPTION	DIMENSION	QTY
1	3007	THRUST PART WITH BELLOW	74 MM	2
2	11451	BUSH	Ø 16x18/10 MM	2
3	10022	RUBBER BUSH	Ø 36x40/50 MM	1
4	3107	BELLOW CAP SET		1
5	3108	PIN BOOT SET		1
6	10005	SHAFT HOUSING BOOT	74 MM	2
7	11467	BUSH	Ø 36x40/82 MM	1
8	3103	STEEL CAP SET		1
9	11513	PIN BOLT RING		1
10	10021	ADJUSTING MECHANISM CAP	38 MM	1

**OKKS NUMBER** 3013



Caliper Guides & Seals Repair Kit

**OEM NUMBER** I132809/0062 / SAF: 85317002100  
MERC: 000 420 2282/000 420 0782  
MAN: 81508226009

NR	OKKS NR	DESCRIPTION	DIMENSION	QTY
1	11467	BUSH	Ø 36 x 40 / 82 mm	1
2	11049	CALIPER PIN	Ø 36/145 MM	1
3	11139	PIN BOLT	Ø M16x1.5/150 MM	1
4	11025	CALIPER PIN	Ø 34/80 MM	1
5	11129	PIN BOLT	Ø M16x1.5/80 MM	1
6	3107	BELLOW CAP SET		1
7	10022	RUBBER BUSH	Ø 34 x 40 / 50 mm	1
8	3108	PIN BOOT SET		1

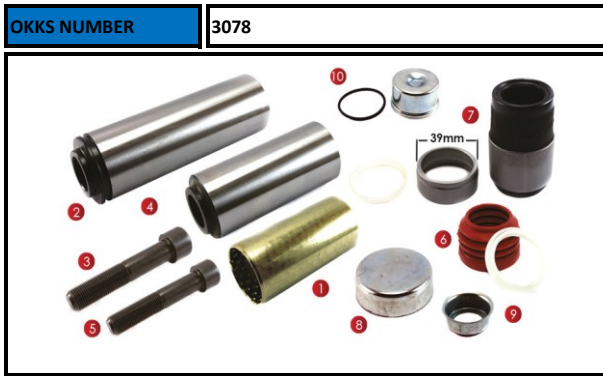
**OKKS NUMBER** 3077



Caliper Guides & Seals Repair Kit

**OEM NUMBER** K000375 / K067417K50 / MAN: 81.50822.6023  
MERC: 000 420 2982 / IVECO: 42538002

NR	OKKS NR	DESCRIPTION	DIMENSION	QTY
1	11467	BUSH	Ø 36 x 40 / 82 MM	1
2	11047	CALIPER PIN	Ø 36 / 114 MM	1
3	11130	PIN BOLT	M16 x 1.5 / 85 MM	1
4	11018	CALIPER PIN	Ø 32 / 80 MM	1
5	11129	PIN BOLT	M16 x 1.5 / 80 MM	1
6	3108	PIN BOOT SET		1
7	3044	RUBBER BUSH SET	39 MM	1
8	3103	PIN CAP SET	Ø 54 / 28 mm	1
9	11513	PIN BOLT RING		1



Caliper Guides & Seals Repair Kit

<b>OEM NUMBER</b>	<b>K001470 / MERC: A 000 420 3482</b>
-------------------	---------------------------------------

NR	OKKS NR	DESCRIPTION	DIMENSION	QTY
1	11467	BUSH	Ø 36 x 40 / 82 MM	1
2	11047	CALIPER PIN	Ø 36 / 114 MM	1
3	11130	PIN BOLT	M16 x 1.5 / 85 MM	1
4	11018	CALIPER PIN	Ø 32 / 80 MM	1
5	11129	PIN BOLT	M16 x 1.5 / 80 MM	1
6	3108	PIN BOOT SET		1
7	3044	RUBBER BUSH SET	39 MM	1
8	11491	PIN CAP	Ø 40 / 14.5 mm	1
9	11513	PIN BOLT RING		1
10	3103	PIN CAP SET	Ø 54 / 28 mm	1



Caliper Guides & Seals Repair Kit

<b>OEM NUMBER</b>	<b>K001532</b>
-------------------	----------------

NR	OKKS NR	DESCRIPTION	DIMENSION	QTY
1	11467	BUSH	Ø 36 x 40 / 82 MM	1
2	11047	CALIPER PIN	Ø 36 / 114 MM	1
3	11129	PIN BOLT	M16 x 1.5 / 80 MM	1
4	11018	CALIPER PIN	Ø 32 / 80 MM	1
5	11130	PIN BOLT	M16x 1.5 / 85 MM	1
6	3108	PIN BOOT SET		1
7	3043	RUBBER BUSH SET	Ø 35 MM	1
8	3103	PIN CAP SET	Ø 54 / 28 mm	1
9	11513	PIN BOLT RING		1
10	11531	RUBBER BUSH STOP RING	Ø 39 MM	1
11	10047	STOP RING PLASTIK		1



Caliper Guides & Seals Repair Kit

<b>OEM NUMBER</b>	<b>K000312 / II197140062 / II197330062 / II304130062 / II350470062 MAN: 81.50822.6005 / MERC: 000 420 2182 SCANIA: 1390426 / 1798063 / 2121644</b>
-------------------	--

NR	OKKS NR	DESCRIPTION	DIMENSION	QTY
1	11467	BUSH	Ø 36 x 40 / 82 MM	1
2	11048	CALIPER PIN	Ø 36 / 135 mm	1
3	11138	PIN BOLT	M16 x 1.5 / 140 mm	1
4	11025	CALIPER PIN	Ø 34 / 80 mm	1
5	11130	PIN BOLT	M16 x 1.5 / 85 mm	1
6	3107	BELLOW CAP SET		1
7	10022	RUBBER BUSH	Ø 34 x 40 / 50 mm	1
8	3108	PIN BOOT SET		1



Caliper Guides & Seals Repair Kit

<b>OEM NUMBER</b>	<b>II339680062 / II369100062 / SCANIA:1390427 / 2121643 IVECO: 93162048 DAF: 1142142 / 1198153 / 1198154 / 1448915 MAN: 81.50822.6009 / MERC: 000 420 1282</b>
-------------------	--

NR	OKKS NR	DESCRIPTION	DIMENSION	QTY
1	11467	BUSH	Ø 36 x 40 / 82 MM	1
2	11049	CALIPER PIN	Ø 36 / 145 MM	1
3	11139	PIN BOLT	M16 x 1.5 / 150 mm	1
4	11025	CALIPER PIN	Ø 34 / 80 MM	1
5	11136	PIN BOLT	M16 x 1.5 / 125 mm	1
6	3107	BELLOW CAP SET		1
7	10022	RUBBER BUSH	Ø 34 x 40 / 50 mm	1
8	3108	PIN BOOT SET		1

<b>OKKS NUMBER</b>	<b>3081</b>
--------------------	-------------



Caliper Guides & Seals Repair Kit

<b>OEM NUMBER</b>	<b>II17932/0062 / DAF: B230397 DAIMLER: A0501210167 / ZF: 0501210167</b>
-------------------	--

NR	OKKS NR	DESCRIPTION	DIMENSION	QTY
1	10066	RUBBER BUSH	Ø 34 x 40 / 95 mm	1
2	10068	PIN BOOT		1
3	10088	BELLOW CAP		1
4	11467	BUSH	Ø 36 x 40 / 82 MM	1
5	11048	CALIPER PIN	Ø 36 / 135 mm	1
6	11138	PIN BOLT	M16 x 1.5 / 140 mm	1
7	11720	CLAMP		1
8	11026	CALIPER PIN	Ø 34 / 120 mm	1
9	11136	PIN BOLT	M16 x 1.5 / 125 mm	1

<b>OKKS NUMBER</b>	<b>3082</b>
--------------------	-------------



Caliper Guides & Seals Repair Kit

<b>OEM NUMBER</b>	<b>I13976F0062 IVECO: 42537451 / SCANIA: 2121645</b>
-------------------	--

NR	OKKS NR	DESCRIPTION	DIMENSION	QTY
1	3103	PIN CAP SET	Ø 54 / 28 mm	1
2	3108	PIN BOOT SET		1
3	11467	BUSH	Ø 36 x 40 / 82 MM	1
4	11047	CALIPER PIN	Ø 36/114 MM	1
5	11130	PIN BOLT	M16 x 1.5 / 85 mm	2
6	11025	CALIPER PIN	Ø 34/80 MM	1
7	10022	RUBBER BUSH	Ø 34 x 40 / 50 mm	1

<b>OKKS NUMBER</b>	<b>3083</b>
--------------------	-------------



Caliper Guides & Seals Repair Kit

<b>OEM NUMBER</b>	<b>K000687 / K000386 / DAF: 1603326</b>
-------------------	---

NR	OKKS NR	DESCRIPTION	DIMENSION	QTY
1	11467	BUSH	Ø 36 x 40 / 82 MM	1
2	11049	CALIPER PIN	Ø 36/145 MM	1
3	11139	PIN BOLT	M16 x 1.5 / 150 mm	1
4	11018	CALIPER PIN	Ø 32/80 MM	1
5	11129	PIN BOLT	M16 x 1.5 / 80 mm	1
6	3108	PIN BOOT SET		1
7	3046	RUBBER BUSH SET	39 MM	1
8	3107	BELLOW CAP SET		1

<b>OKKS NUMBER</b>	<b>3019</b>
--------------------	-------------



Caliper Guides & Seals Repair Kit

<b>OEM NUMBER</b>	<b>K000365 / MERC: A 000 420 2282</b>
-------------------	---------------------------------------

NR	OKKS NR	DESCRIPTION	DIMENSION	QTY
1	3108	PIN BOOT SET		1
2	3103	PIN CAP SET	Ø 54 / 28 mm	1
3	10022	RUBBER BUSH	Ø 34x40/50 MM	1
4	3046	RUBBER BUSH KIT	39 MM	1
5	11467	BUSH	Ø 36x40/82 MM	1
6	11047	CALIPER PIN	Ø 36/114 MM	1
7	11018	CALIPER PIN	Ø 32/80 MM	1
8	11025	CALIPER PIN	Ø 34/80 MM	1
9	11130	PIN BOLT	Ø M16x1.5/85 MM	2
10	11129	PIN BOLT	Ø M16x1.5/80 MM	1
11	11490	PIN CAP	Ø 40/11 MM	1



Caliper Guides & Seals Repair Kit

<b>OEM NUMBER</b>	K004168 / K010766K62 / SAF: 3.434.3815.00
-------------------	---

NR	OKKS NR	DESCRIPTION	DIMENSION	QTY
1	11467	BUSH	Ø 36x40/82 MM	1
2	11047	CALIPER PIN	Ø 36/114 MM	1
3	11044	CALIPER PIN	Ø 36/64 MM	1
4	11127	PIN BOLT	Ø M16x1.5/70 MM	1
5	11130	PIN BOLT	Ø M16x1.5/85 MM	1
6	3108	PIN BOOT SET		2
7	11491	PIN CAP	Ø 40/14.5 MM	1
8	11493	PIN CAP	Ø 40/24.5 MM	1
9	11474	BUSH	Ø 36x40/20 MM	1



Caliper Guides & Seals Repair Kit

<b>OEM NUMBER</b>	K048434K62 / K067417K50 / K087279K62 SAF: 3.434.3820.00
-------------------	--

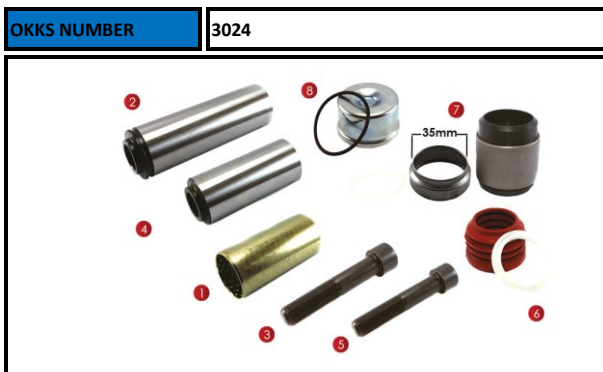
NR	OKKS NR	DESCRIPTION	DIMENSION	QTY
1	11467	BUSH	Ø 36x40/82 MM	1
2	11047	CALIPER PIN	Ø 36/114 MM	1
3	11130	PIN BOLT	Ø M16x1.5/85 MM	1
4	11018	CALIPER PIN	Ø 32/80 MM	1
5	11129	PIN BOLT	Ø M16x1.5/80 MM	1
6	3108	PIN BOOT SET		1
7	3045	RUBBER BUSH KIT	35 MM	1
8	3103	PIN CAP SET	Ø 54 / 28 mm	1
9	11491	PIN CAP	Ø 40/14.5 MM	1
10	11531	RUBBER BUSH STOP RING	39 MM	1
11	10047	STOP RING PLASTIK		1



Caliper Guides & Seals Repair Kit

<b>OEM NUMBER</b>	K048371K50 MAN: 81.50822.6036 / SCANIA: 2121648
-------------------	--

NR	OKKS NR	DESCRIPTION	DIMENSION	QTY
1	11467	BUSH	Ø 36x40/82 MM	1
2	11047	CALIPER PIN	Ø 36/114 MM	1
3	11130	PIN BOLT	Ø M16x1.5/85 MM	1
4	11018	CALIPER PIN	Ø 32/80 MM	1
5	11129	PIN BOLT	Ø M16x1.5/80 MM	1
6	3108	PIN BOOT SET		1
7	3046	RUBBER BUSH KIT	39 MM	1
8	3103	PIN CAP SET	Ø 54 / 28 mm	1




Caliper Guides & Seals Repair Kit


<b>OEM NUMBER</b>	K048396K50 / SCANIA: 2121641
-------------------	------------------------------

NR	OKKS NR	DESCRIPTION	DIMENSION	QTY
1	11467	BUSH	Ø 36x40/82 MM	1
2	11047	CALIPER PIN	Ø 36/114 MM	1
3	11130	PIN BOLT	Ø M16x1.5/85 MM	1
4	11018	CALIPER PIN	Ø 32/80 MM	1
5	11129	PIN BOLT	Ø M16x1.5/80 MM	1
6	3108	PIN BOOT SET		1
7	3045	RUBBER BUSH KIT	35 MM	1
8	3103	PIN CAP SET	Ø 54 / 28 mm	1



<b>OKKS NUMBER</b>	<b>3025</b>
	
<b>Caliper Guides &amp; Seals Repair Kit</b>	
<b>OEM NUMBER</b>	<b>K001532 / SCANIA: 1472919</b>

NR	OKKS NR	DESCRIPTION	DIMENSION	QTY
1	11467	BUSH	Ø 36 x 40 / 82 MM	1
2	11047	CALIPER PIN	Ø 36 / 114 MM	1
3	11129	PIN BOLT	M16 x 1.5 / 80 MM	1
4	11018	CALIPER PIN	Ø 32 / 80 MM	1
5	11130	PIN BOLT	M16x 1.5 / 85 MM	1
6	3108	PIN BOOT SET		1
7	3043	RUBBER BUSH SET	Ø 35 MM	1
8	3103	PIN CAP SET	Ø 54 / 28 mm	1
9	11513	PIN BOLT RING		1
10	11531	RUBBER BUSH STOP RING	Ø 39 MM	1
11	10047	STOP RING PLASTIK		1

<b>OKKS NUMBER</b>	<b>3085</b>
	
<b>Caliper Guides &amp; Seals Repair Kit</b>	
<b>OEM NUMBER</b>	<b>K010813 / MAN: 81.50822.6033</b>

NR	OKKS NR	DESCRIPTION	DIMENSION	QTY
1	11127	PIN BOLT	M16 x 1.5 / 70 MM	1
2	11130	PIN BOLT	M16x 1.5 / 85 MM	1
3	11044	CALIPER PIN	Ø 36/64 MM	1
4	11047	CALIPER PIN	Ø 36/114 MM	1
5	11467	BUSH	Ø 36 x 40 / 82 MM	1
6	11474	BUSH	Ø 36 x 40 / 20 mm	1
7	11493	PIN CAP	Ø 40 / 24.5 mm	1
8	3103	PIN CAP SET	Ø 54 / 28 mm	1
9	3108	PIN BOOT SET		2

<b>OKKS NUMBER</b>	<b>3086</b>
	
<b>Caliper Guides &amp; Seals Repair Kit</b>	
<b>OEM NUMBER</b>	<b>K067417K50 SAF: 3434382000 / SCANIA: 2292232</b>

NR	OKKS NR	DESCRIPTION	DIMENSION	QTY
1	11467	BUSH	Ø 36 x 40 / 82 MM	1
2	11047	CALIPER PIN	Ø 36/114 MM	1
3	11130	PIN BOLT	M16x 1.5 / 85 MM	1
4	11018	CALIPER PIN	Ø 32 / 80 MM	1
5	11129	PIN BOLT	M16x 1.5 / 80 MM	1
6	3108	PIN BOOT SET		1
7	3043	RUBBER BUSH KIT	35 MM	1
8	3103	PIN CAP SET	Ø 54 / 28 mm	1
9	11491	PIN CAP	Ø 40/14.5 MM	1
10	11513	PIN BOLT RING		1
11	11531	RUBBER BUSH STOP RING	Ø 39 MM	1
12	10047	STOP RING PLASTIK		1

<b>OKKS NUMBER</b>	<b>3088</b>
	
<b>Caliper Guides &amp; Seals Repair Kit</b>	
<b>OEM NUMBER</b>	<b>K052759K50</b>

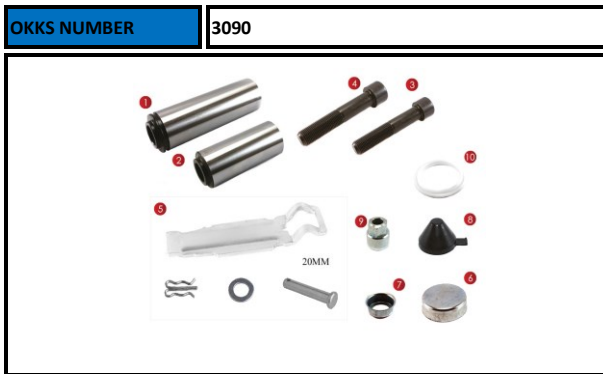
NR	OKKS NR	DESCRIPTION	DIMENSION	QTY
1	11467	BUSH	Ø 36 x 40 / 82 MM	1
2	11047	CALIPER PIN	Ø 36/114 MM	1
3	11130	PIN BOLT	M16x 1.5 / 85 MM	1
4	11020	CALIPER PIN	Ø 32/88,5 MM	1
5	11129	PIN BOLT	M16x 1.5 / 80 MM	1
6	3108	PIN BOOT SET		1
7	3044	RUBBER BUSH SET	39 MM	1
8	11491	PIN CAP	Ø 40/14.5 MM	1



Caliper Guides & Seals Repair Kit

<b>OEM NUMBER</b>	II197140062 / MAN: 81.50822.6006
-------------------	----------------------------------

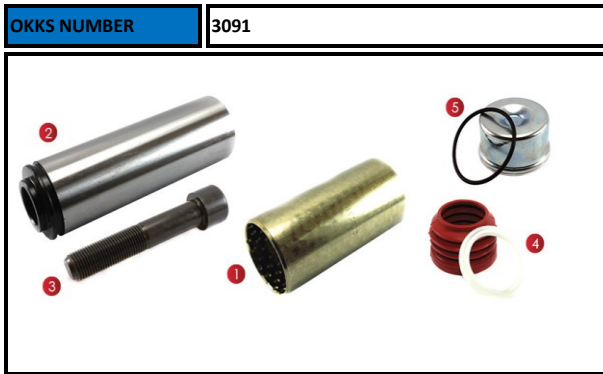
NR	OKKS NR	DESCRIPTION	DIMENSION	QTY
1	11048	CALIPER PIN	Ø 36/135 MM	1
2	11025	CALIPER PIN	Ø 34/80 MM	1
3	11720	CLAMP		1
4	11130	PIN BOLT	Ø M16x1.5/85 MM	1
5	11138	PIN BOLT	Ø M16x1.5/140 MM	1
6	11467	BUSH	Ø 36 x 40 / 82 MM	1
7	10022	RUBBER BUSH	Ø 34x40/50 MM	1
8	10068	PIN BOOT		1
9	10069	RUBBER CAP		1



Caliper Guides & Pad Retainer Repair Kit

<b>OEM NUMBER</b>	K003800
-------------------	---------

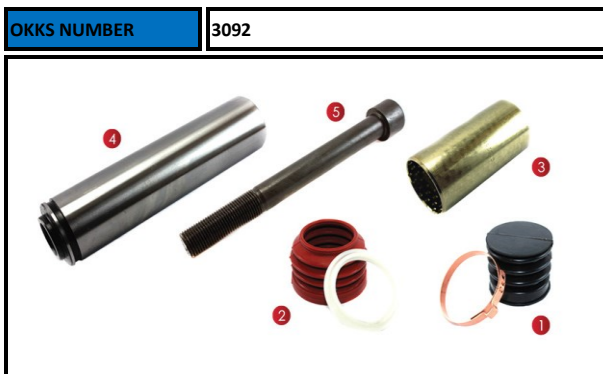
NR	OKKS NR	DESCRIPTION	DIMENSION	QTY
1	11047	CALIPER PIN	Ø 36/114 MM	1
2	11018	CALIPER PIN	Ø 32/80 MM	1
3	11129	PIN BOLT	Ø M16x1.5/80 MM	1
4	11130	PIN BOLT	Ø M16x1.5/85 MM	1
5	3110	PAD RETAINER REPAIR KIT	20 MM	1
6	11491	PIN CAP	Ø 40/14.5 MM	1
7	11513	PIN BOLT RING		1
8	10021	ADJUSTING MECHANISM CAP	38 MM	1
9	11180	ADJUSTING MECHANISM ADAPTER		1
10	10064	PLASTIC RING		1



Caliper Guides & Seals Repair Kit

<b>OEM NUMBER</b>	K000696 / K004218 / II310370066 MERC: 002 420 03 83 / SAF: 3434380500
-------------------	--

NR	OKKS NR	DESCRIPTION	DIMENSION	QTY
1	11467	BUSH	Ø 36 x 40 / 82 MM	1
2	11047	CALIPER PIN	Ø 36/114 MM	1
3	11130	PIN BOLT	Ø M16x1.5/85 MM	1
4	3108	PIN BOOT SET		1
5	3103	PIN CAP SET	Ø 54 / 28 mm	1



Caliper Guides & Seals Repair Kit

<b>OEM NUMBER</b>	K000935 / SAF: 3434380200
-------------------	---------------------------

NR	OKKS NR	DESCRIPTION	DIMENSION	QTY
1	3107	BELLOW CAP SET		1
2	3108	PIN BOOT SET		1
3	11467	BUSH	Ø 36 x 40 / 82 MM	1
4	11049	CALIPER PIN	Ø 36/145 MM	1
5	11139	PIN BOLT	Ø M16x1.5/150 MM	1

**OKKS NUMBER** 3093



Caliper Guides & Seals Repair Kit

**OEM NUMBER**

1	3107	BELLOW CAP SET		1
2	3108	PIN BOOT KIT		1
3	10022	RUBBER BUSH	Ø 34x40/50 MM	1
4	11048	CALIPER PIN	Ø36/135 MM	1
5	11025	CALIPER PIN	Ø34/80 MM	1
6	11467	BUSH	Ø 36 x 40 / 82 MM	1

**OKKS NUMBER** 3031



Caliper Guide & Bush Repair Kit

**OEM NUMBER** I136847/0064 / SCANIA: 2121840 / DAF: 1448910  
SAF: 3.434.3801.00

NR	OKKS NR	DESCRIPTION	DIMENSION	QTY
1	11025	CALIPER PIN	Ø 34 / 80 MM	1
2	11130	PIN BOLT	M16 x 1.5 / 85 MM	1
3	10022	RUBBER BUSH	Ø 34x40/50 MM	1

**OKKS NUMBER** 3032



Caliper Guide & Bush Repair Kit

**OEM NUMBER**

NR	OKKS NR	DESCRIPTION	DIMENSION	QTY
1	11025	CALIPER PIN	Ø 34 / 80 MM	1
2	10022	RUBBER BUSH	Ø 34x40/50 MM	1

**OKKS NUMBER** 3094

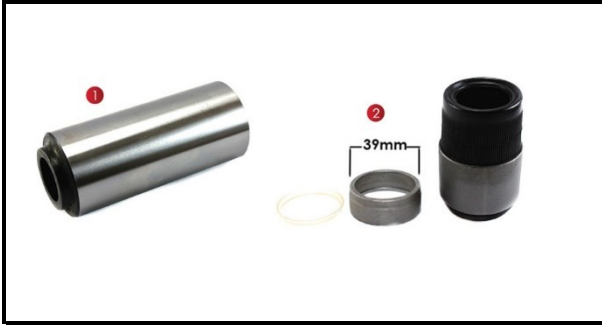


Caliper Guide & Bush Repair Kit

**OEM NUMBER**

1	11139	PIN BOLT	Ø M16 x 1.5/150 MM	1
2	11130	PIN BOLT	Ø M16 x 1.5/85 MM	1
3	10022	RUBBER BUSH	Ø 34x40/50 MM	1
4	11049	CALIPER PIN	Ø36/145 MM	1
5	11025	CALIPER PIN	Ø34/80 MM	1

<b>OKKS NUMBER</b>	3033
--------------------	------



Caliper Guide & Rubber Bush Repair Kit

<b>OEM NUMBER</b>	K000697
-------------------	---------

NR	OKKS NR	DESCRIPTION	DIMENSION	QTY
1	11018	CALIPER PIN	Ø 32 / 80 MM	1
2	3044	RUBBER BUSH SET	Ø 39 MM	1

<b>OKKS NUMBER</b>	3096
--------------------	------



Caliper Guide & Rubber Bush Repair Kit

<b>OEM NUMBER</b>	K000698
-------------------	---------

NR	OKKS NR	DESCRIPTION	DIMENSION	QTY
1		CALIPER PIN	Ø 32 / 80 MM	1
2		RUBBER BUSH SET	35 MM	1

<b>OKKS NUMBER</b>	3097
--------------------	------



Caliper Short Pin Repair Kit

<b>OEM NUMBER</b>	
-------------------	--

NR	OKKS NR	DESCRIPTION	DIMENSION	QTY
1	11026	CALIPER PIN	Ø34/120 MM	1
2	10066	RUBBER BUSH	Ø 34 x 40 / 95 mm	1

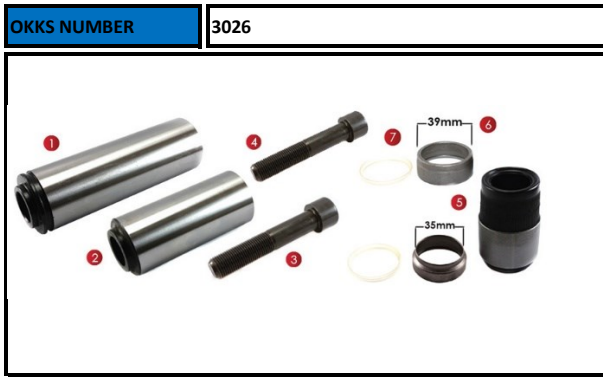
<b>OKKS NUMBER</b>	3098
--------------------	------



Caliper Short Pin Repair Kit

<b>OEM NUMBER</b>	I1339830064
-------------------	-------------

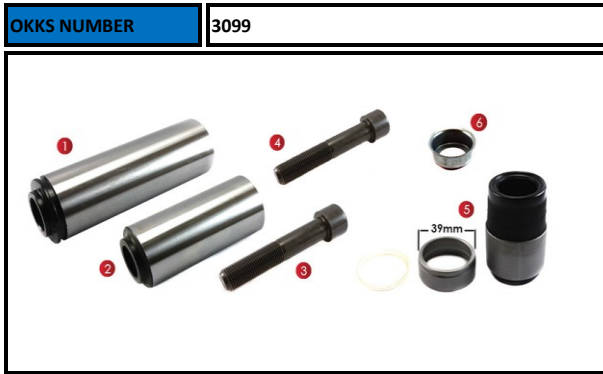
NR	OKKS NR	DESCRIPTION	DIMENSION	QTY
1	11026	CALIPER PIN	Ø34/120 MM	1
2	10066	RUBBER BUSH	Ø 34 x 40 / 95 mm	1
3	11136	PIN BOLT	Ø M16 x 1.5/125 MM	1



Caliper Guide & Rubber Bush Repair Kit

<b>OEM NUMBER</b>	
-------------------	--

NR	OKKS NR	DESCRIPTION	DIMENSION	QTY
1	11047	CALIPER PIN	Ø 36 / 114 MM	1
2	11018	CALIPER PIN	Ø 32 / 80 MM	1
3	11129	PIN BOLT	M16 x 1.5 / 80 MM	1
4	11130	PIN BOLT	M16x 1.5 / 85 MM	1
5	3043	RUBBER BUSH SET	Ø 35 MM	1
6	11531	RUBBER BUSH STOP RING	Ø 39 MM	1
7	10047	STOP RING PLASTIK		1



Caliper Guide & Rubber Bush Repair Kit

<b>OEM NUMBER</b>	
-------------------	--

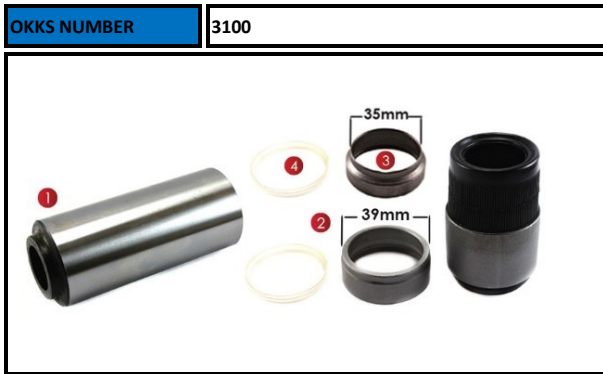
NR	OKKS NR	DESCRIPTION	DIMENSION	QTY
1	11047	CALIPER PIN	Ø36/114 MM	1
2	11018	CALIPER PIN	Ø32/80 MM	1
3	11130	PIN BOLT	Ø M16 x 1.5/85 MM	1
4	11129	PIN BOLT	Ø M16 x 1.5/80 MM	1
5	3044	RUBBER BUSH SET	39 MM	1
6	11513	PIN BOLT RING		1



Caliper Guide & Rubber Bush Repair Kit

<b>OEM NUMBER</b>	K000698
-------------------	---------

NR	OKKS NR	DESCRIPTION	DIMENSION	QTY
1	11018	CALIPER PIN	Ø 32/80 MM	1
2	11129	PIN BOLT	Ø M16x1.5/80 MM	1
3	3044	RUBBER BUSH KIT	Ø 39 MM	1
4	11513	PIN BOLT RING		1
5	11534	RUBBER BUSH STOP RING	Ø 35 MM	1
6	10047	STOP RING PLASTIK		1



<b>OEM NUMBER</b>	
-------------------	--

NR	OKKS NR	DESCRIPTION	DIMENSION	QTY
1	11018	CALIPER PIN	Ø 32/80 MM	1
2	3044	RUBBER BUSH KIT	Ø 39 MM	1
3	11534	RUBBER BUSH STOP RING	Ø 35 MM	1
4	10047	STOP RING PLASTIK		1



Caliper Guides & Seals Repair Kit

<b>OEM NUMBER</b>	
-------------------	--

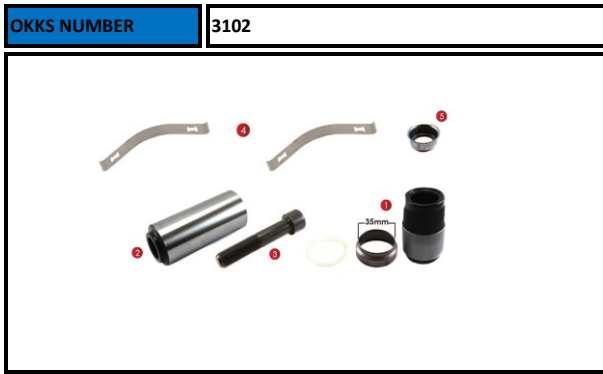
NR	OKKS NR	DESCRIPTION	DIMENSION	QTY
1	11044	CALIPER PIN	Ø 36/64 MM	1
2	11127	PIN BOLT	Ø M16x1.5/70 MM	1
3	3108	PIN BOOT SET		1
4	11493	PIN CAP	Ø 40/24.5 MM	1
5	11474	BUSH	Ø 36x40/20 MM	1



Caliper Guide & Bush Repair Kit

<b>OEM NUMBER</b>	K048399K50
-------------------	------------

NR	OKKS NR	DESCRIPTION	DIMENSION	QTY
2	11018	CALIPER PIN	Ø32/80 MM	1
3	11129	PIN BOLT	Ø M16 x 1.5/80 MM	1
1	3046	CALIPER PIN RUBBER BUSH KIT	39 MM	1
4	11743	BRAKE PAD SPRING		2



Caliper Guide & Bush Repair Kit

<b>OEM NUMBER</b>	K000421
-------------------	---------

NR	OKKS NR	DESCRIPTION	DIMENSION	QTY
	11018	CALIPER PIN	Ø32/80 MM	1
	11129	PIN BOLT	Ø M16 x 1.5/80 MM	1
	3043	RUBBER BUSH KIT	35 MM	1
	11743	BRAKE PAD SPRING		2
	11513	PIN BOLT RING		1




Steel Cap Set

<b>OEM NUMBER</b>	1139769F0063 / SAF: 3.434.3806.00
-------------------	-----------------------------------

NR	OKKS NR	DESCRIPTION	DIMENSION	QTY
	10071	ORING		1
	11507	STEEL CAP		1

<b>OKKS NUMBER</b>	3035
	
Caliper Pin Boot & Cap Set	
<b>OEM NUMBER</b>	II328090061 / MERC: 001 420 5283 / 000 420 3015 IVECO: 93162049 / SCANIA: 1415150 DAF/LEYLAND: 1448914

NR	OKKS NR	DESCRIPTION	DIMENSION	QTY
1	3108	PIN BOOT SET		1
2	3103	STEEL CAP SET		1

<b>OKKS NUMBER</b>	3104
	
Caliper Boot & Cap Repair Kit	
<b>OEM NUMBER</b>	

NR	OKKS NR	DESCRIPTION	DIMENSION	QTY
1	3107	BELLOW CAP SET		1
2	3103	STEEL CAP SET		1

<b>OKKS NUMBER</b>	3036
	
Caliper Pin Boot & Cap Set	
<b>OEM NUMBER</b>	II350470061 MERC: 001 420 6683 / MAN: 81.50822.6005

NR	OKKS NR	DESCRIPTION	DIMENSION	QTY
1	3108	PIN BOOT SET		1
2	3107	BELLOW CAP SET		1

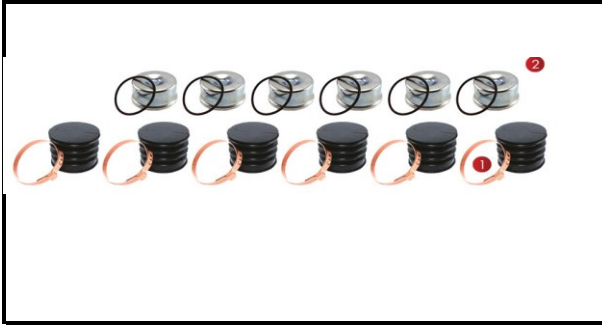
<b>OKKS NUMBER</b>	3105
	
Caliper Boot Repair Kit	
<b>OEM NUMBER</b>	

NR	OKKS NR	DESCRIPTION	DIMENSION	QTY
1	3108	PIN BOOT SET		1
2	3107	BELLOW CAP SET		1
3	10022	RUBBER BUSH	∅ 34x40/50 MM	1





<b>OKKS NUMBER</b>	3037
--------------------	------



Caliper Cap Set

<b>OEM NUMBER</b>	K001301 / II350470063 / MAN: 81.50822.6025 SCANIA: 1439494 / 2121839
-------------------	---

NR	OKKS NR	DESCRIPTION	DIMENSION	QTY
1	3107	BELLOW CAP SET		1
2	3103	PIN CAP SET		1

<b>OKKS NUMBER</b>	3041
--------------------	------



Brake Pad Retainer Repair Kit

<b>OEM NUMBER</b>	
-------------------	--

NR	OKKS NR	DESCRIPTION	DIMENSION	QTY
1	10021	ADJUSTING MECHANISM CAP	38 MM	2
2	11185	WASHER		2
3	11724	PIN		2
4	10065	ADJUSTING MECHANISM CAP		2
5	11725	SPLIT COTTER PIN		2
6	11180	ADJUSTING MECHANISM ADAPTER		1

<b>OKKS NUMBER</b>	3038
--------------------	------



Caliper Adjusting Mechanism Cap Set

<b>OEM NUMBER</b>	K000945 / DAF: 1439493 / SAF: 85317002500 MAN: 81.50822.6021 / 81.50822.6024
-------------------	---

NR	OKKS NR	DESCRIPTION	DIMENSION	QTY
1	10021	ADJUSTING MECHANISM CAP	38 MM	10
2	10065	ADJUSTING MECHANISM CAP		10
3	11180	ADJUSTING MECHANISM ADAPTER		10

<b>OKKS NUMBER</b>	3110
--------------------	------

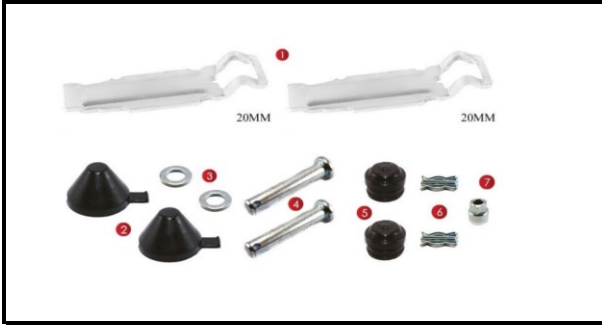


Pad Retainer Repair Kit

<b>OEM NUMBER</b>	II19712004 / K000129 / II30679004 / II197120061 MERC: A 000 420 2682 / SAF: 85317002600
-------------------	--

NR	OKKS NR	DESCRIPTION	DIMENSION	QTY
1	11601	PAD RETAINER REPAIR KIT	20 MM	1
2	11725	SPLIT COTTER PIN		1
3	11185	WASHER		1
4	11724	PIN		1

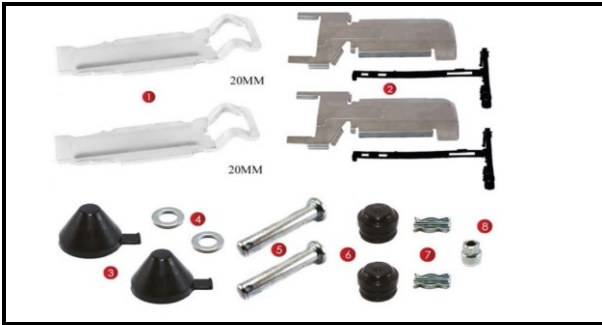
<b>OKKS NUMBER</b>	<b>3111</b>
--------------------	-------------



Pad Retainer Repair Kit

<b>OEM NUMBER</b>	
-------------------	--

<b>OKKS NUMBER</b>	<b>3112</b>
--------------------	-------------



Pad Retainer Repair Kit

<b>OEM NUMBER</b>	<b>K002311</b>
-------------------	----------------

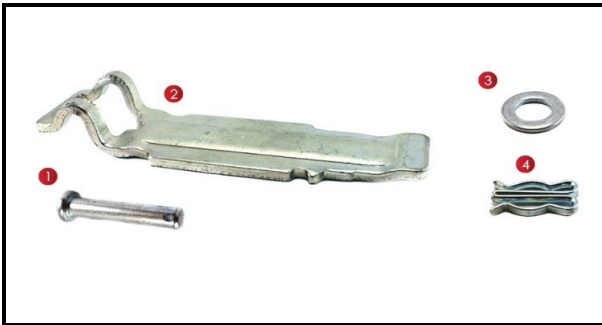
<b>OKKS NUMBER</b>	<b>3042</b>
--------------------	-------------



OEM NUMBER

K000884

<b>OKKS NUMBER</b>	<b>3113</b>
--------------------	-------------



Pad Retainer Repair Kit

<b>OEM NUMBER</b>	<b>K000133 / MERC: A 000 420 2582</b>
-------------------	---------------------------------------

NR	OKKS NR	DESCRIPTION	DIMENSION	QTY
1	11601	PAD RETAINER	20 MM	2
2	10021	ADJUSTING MECHANISM CAP	38 MM	2
3	11185	WASHER		2
4	11724	PIN		2
5	10065	ADJUSTING MECHANISM CAP		2
6	11725	SPLIT COTTER PIN		2
7	11180	ADJUSTING MECHANISM ADAPTER		1

NR	OKKS NR	DESCRIPTION	DIMENSION	QTY
1	11601	PAD RETAINER	20 MM	2
2	11727	CALIPER CABLE PROTECTION KIT		2
3	10021	ADJUSTING MECHANISM CAP	38 MM	2
4	11185	WASHER		2
5	11724	PIN		2
6	10065	ADJUSTING MECHANISM CAP		2
7	11725	SPLIT COTTER PIN		2
8	11180	ADJUSTING MECHANISM ADAPTER		1

NR	OKKS NR	DESCRIPTION	DIMENSION	QTY
1	11727	CABLE PROTECTION KIT		1
2	3110	PAD RETAINER KIT	20 MM	1

NR	OKKS NR	DESCRIPTION	DIMENSION	QTY
1	11724	PIN		1
2	11602	PAD RETAINER	25 MM	1
3	11185	WASHER		1
4	11725	SPLIT COTTER PIN		1

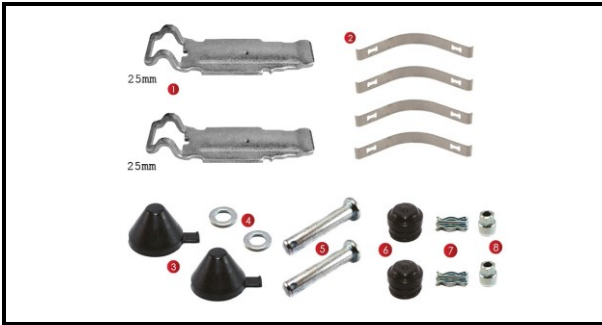
<b>OKKS NUMBER</b>	<b>3114</b>
--------------------	-------------



Pad Retainer Repair Kit

<b>OEM NUMBER</b>	
-------------------	--

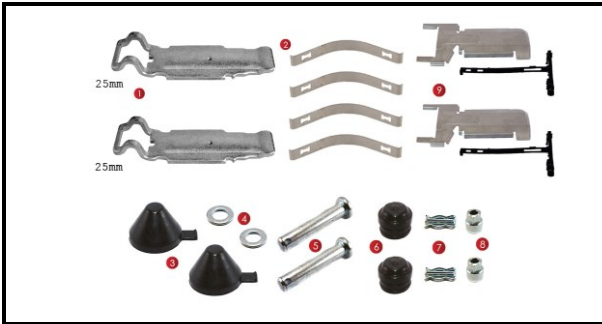
<b>OKKS NUMBER</b>	<b>3115</b>
--------------------	-------------



Pad Retainer Repair Kit

<b>OEM NUMBER</b>	
-------------------	--

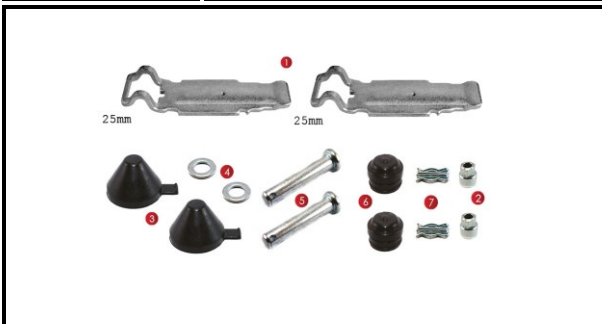
<b>OKKS NUMBER</b>	<b>3116</b>
--------------------	-------------



Pad Retainer Repair Kit

<b>OEM NUMBER</b>	
-------------------	--

<b>OKKS NUMBER</b>	<b>3117</b>
--------------------	-------------



Pad Retainer Repair Kit

<b>OEM NUMBER</b>	
-------------------	--

NR	OKKS NR	DESCRIPTION	DIMENSION	QTY
1	11727	CABLE PROTECTION KIT		1
2	3113	PAD RETAINER	25 MM	1

NR	OKKS NR	DESCRIPTION	DIMENSION	QTY
1	3113	PAD RETAINER	25 MM	2
2	11725	BRAKE PAD SPRING		2
3	10021	ADJUSTING MECHANISM CAP	38 MM	2
4	11185	WASHER		2
5	11724	PIN		2
6	10065	ADJUSTING MECHANISM CAP		2
7	11725	SPLIT COTTER PIN		2
8	11180	ADJUSTING MECHANISM ADAPTER		2

NR	OKKS NR	DESCRIPTION	DIMENSION	QTY
1	3113	PAD RETAINER	25 MM	2
2	11725	BRAKE PAD SPRING		2
3	10021	ADJUSTING MECHANISM CAP	38 MM	2
4	11185	WASHER		2
5	11724	PIN		2
6	10065	ADJUSTING MECHANISM CAP		2
7	11725	SPLIT COTTER PIN		2
8	11180	ADJUSTING MECHANISM ADAPTER		2
9	11727	CALIPER CABLE PROTECTION KIT		2

NR	OKKS NR	DESCRIPTION	DIMENSION	QTY
1	3113	PAD RETAINER	25 MM	2
2	11180	ADJUSTING MECHANISM ADAPTER		2
3	10021	ADJUSTING MECHANISM CAP	38 MM	2
4	11185	WASHER		2
5	11724	PIN		2
6	10065	ADJUSTING MECHANISM CAP		2
7	11725	SPLIT COTTER PIN		2



<b>OKKS NUMBER</b>	11362
--------------------	-------



Adjusting Mechanism Repair Kit

<b>OEM NUMBER</b>	
-------------------	--

NR	OKKS NR	DESCRIPTION	DIMENSION	QTY

<b>OKKS NUMBER</b>	3123
--------------------	------

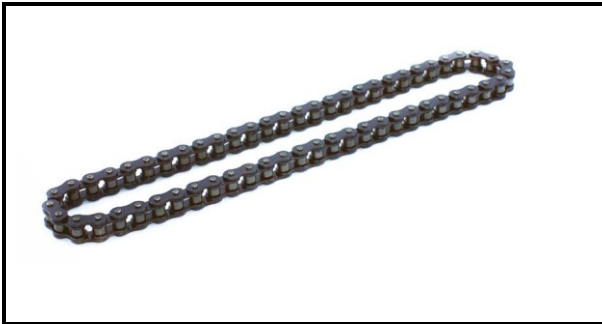


Adjusting Mechanism Repair Kit

<b>OEM NUMBER</b>	
-------------------	--

NR	OKKS NR	DESCRIPTION	DIMENSION	QTY
1	11361	ADJUSTING MECHANISM SHAFT		1
2	11366	CALIBRATION SHAFT CHAIN	28 LINKS	1
3	11362	PINION SHAFT		1

<b>OKKS NUMBER</b>	11366
--------------------	-------



Chain (28 Links)

<b>OEM NUMBER</b>	
-------------------	--

NR	OKKS NR	DESCRIPTION	DIMENSION	QTY

<b>OKKS NUMBER</b>	3125
--------------------	------



Bridge Assembly

<b>OEM NUMBER</b>	
-------------------	--

NR	OKKS NR	DESCRIPTION	DIMENSION	QTY
1	11401	CALIPER SHAFT HOUSING		1
2	11744	SHAFT HOUSING PIN		1
3	11728	SHAFT HOUSING PIN CLAMP		2

OKKS NUMBER 3126



Bridge Assembly

OEM NUMBER

NR	OKKS NR	DESCRIPTION	DIMENSION	QTY
1	11401	CALIPER SHAFT HOUSING		1
2	11744	SHAFT HOUSING PIN		1
3	11728	SHAFT HOUSING PIN CLAMP		2
4	11252	SHAFT HOUSING SPRING		1
5	11157	CALIBRATION BOLT	3 THREAD	2

OKKS NUMBER 3127



Caliper Bearing Repair Kit

OEM NUMBER

NR	OKKS NR	DESCRIPTION	DIMENSION	QTY
1	11744	SHAFT HOUSING PIN		1
2	11728	SHAFT HOUSING PIN CLAMP		2

OKKS NUMBER 3128



Caliper Bearing Repair Kit

OEM NUMBER

NR	OKKS NR	DESCRIPTION	DIMENSION	QTY
1	11744	SHAFT HOUSING PIN		1
2	11728	SHAFT HOUSING PIN CLAMP		2
3	11539	LEVER BEARING		1

OKKS NUMBER 3129



Caliper Roller Bearing

OEM NUMBER

NR	OKKS NR	DESCRIPTION	DIMENSION	QTY
1	11284	ROLLER BEARING		2







OKKS NUMBER	11372
-------------	-------



Caliper Level (Angle 84)

OEM NUMBER	
------------	--

NR	OKKS NR	DESCRIPTION	DIMENSION	QTY

OKKS NUMBER	3054
-------------	------



OEM NUMBER	Z001548
------------	---------

NR	OKKS NR	DESCRIPTION	DIMENSION	QTY
1	11180	ADJUSTING MECHANISM ADAPTER		10

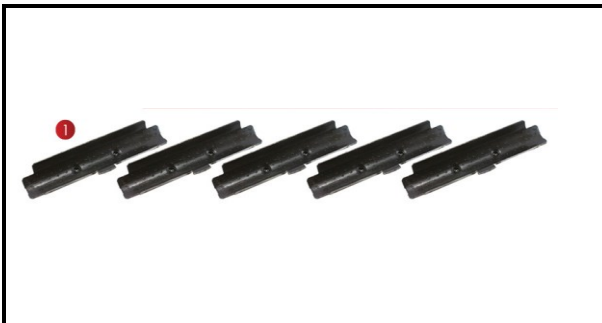
OKKS NUMBER	3055
-------------	------



OEM NUMBER	
------------	--

NR	OKKS NR	DESCRIPTION	DIMENSION	QTY
1	11721	CALIPER MECHANISM GEAR SET		5

OKKS NUMBER	3137
-------------	------



Caliper Lever Bearing

OEM NUMBER	
------------	--

NR	OKKS NR	DESCRIPTION	DIMENSION	QTY
1	11539	CALIPER LEVER BEARING		5





<b>OKKS NUMBER</b>	3150
--------------------	------



Caliper Piston Repair Kit

<b>OEM NUMBER</b>	
-------------------	--

NR	OKKS NR	DESCRIPTION	DIMENSION	QTY
1	10002	TAPPET BOOT	Ø 69 MM	1
2	11952	TAPPET		1

<b>OKKS NUMBER</b>	3151
--------------------	------



Caliper Piston Repair Kit

<b>OEM NUMBER</b>	
-------------------	--

NR	OKKS NR	DESCRIPTION	DIMENSION	QTY
1	3150	THRUST PART WITH BELLOW	Ø 69 MM	1
2	11451	BUSH	Ø 16 x18 / 10 MM	1

<b>OKKS NUMBER</b>	3152
--------------------	------



Caliper Piston Repair Kit

<b>OEM NUMBER</b>	
-------------------	--

NR	OKKS NR	DESCRIPTION	DIMENSION	QTY
1	3150	THRUST PART WITH BELLOW	Ø 69 MM	2
2	11451	BUSH	Ø 16 x18 / 10 MM	2

<b>OKKS NUMBER</b>	3153
--------------------	------

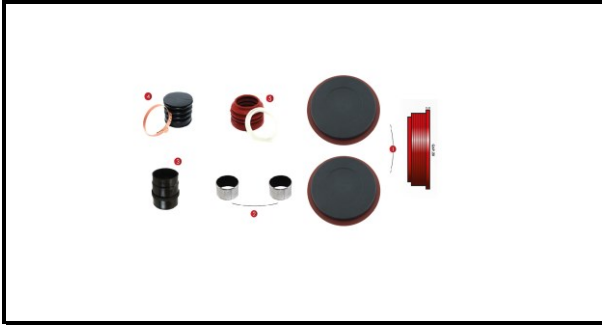


Caliper Boots & Piston Repair Kit

<b>OEM NUMBER</b>	K001300 / K010603 / K000366 / MAN: 81.50822.6020 MERC: A 000 420 2382 / A 000 420 4082 / A 000 420 4982 IVECO: 42541413 / DAF: 1622785 / 1616894 / 1689313 SCANIA: 1723417 / 2121858 / 2198394 / SCHMITZ: 1008451
-------------------	--

NR	OKKS NR	DESCRIPTION	DIMENSION	QTY
1	3150	THRUST PART WITH BELLOW	Ø 69 MM	2
2	10004	SHAFT HOUSING BOOT	Ø 69 MM	2
3	11451	BUSH	Ø 16 x 18 / 10 MM	2

<b>OKKS NUMBER</b>	3154
--------------------	------



Caliper Piston Repair Kit

<b>OEM NUMBER</b>	
-------------------	--

<b>OKKS NUMBER</b>	3155
--------------------	------



Caliper Boots & Piston Repair Kit

<b>OEM NUMBER</b>	K015542
-------------------	---------

<b>OKKS NUMBER</b>	3156
--------------------	------



Caliper Seals & Piston Repair Kit

<b>OEM NUMBER</b>	
-------------------	--

<b>OKKS NUMBER</b>	3078
--------------------	------



Caliper Guides & Seals Repair Kit

<b>OEM NUMBER</b>	K001470 / MERC: A 000 420 3482
-------------------	--------------------------------

NR	OKKS NR	DESCRIPTION	DIMENSION	QTY
1	3150	THRUST PART WITH BELLOW	69 MM	2
2	11451	BUSH	Ø 16x18/10 MM	2
3	10022	RUBBER BUSH	Ø 34 X 40 / 50 MM	1
4	3107	BELLOW CAP SET		1
5	3108	PIN BOOT SET		1

NR	OKKS NR	DESCRIPTION	DIMENSION	QTY
1	3150	THRUST PART WITH BELLOW	69 MM	2
2	11451	BUSH	Ø 16x18/10 MM	2
3	10006	SHAFT HOUSING BOOT	69 MM	2

NR	OKKS NR	DESCRIPTION	DIMENSION	QTY
1	3150	THRUST PART WITH BELLOW	69 MM	2
2	11451	BUSH	Ø 16x18/10 MM	2
3	10022	RUBBER BUSH	Ø 34 X 40 / 50 MM	1
4	3107	BELLOW CAP SET		1
5	3108	PIN BOOT SET		1
6	10006	SHAFT HOUSING BOOT	69 MM	2
7	11467	BUSH	Ø 36 x 40 / 82 mm	1
8	3103	PIN CAP SET	Ø 54 / 28 mm	1
9	11513	PIN BOLT RING		1
10	10021	ADJUSTING MECHANISM CAP	38 MM	1

NR	OKKS NR	DESCRIPTION	DIMENSION	QTY
1	11467	BUSH	Ø 36 x 40 / 82 MM	1
2	11047	CALIPER PIN	Ø 36 / 114 MM	1
3	11130	PIN BOLT	M16 x 1.5 / 85 MM	1
4	11018	CALIPER PIN	Ø 32 / 80 MM	1
5	11129	PIN BOLT	M16 x 1.5 / 80 MM	1
6	3108	PIN BOOT SET		1
7	3044	RUBBER BUSH SET	39 MM	1
8	11491	PIN CAP	Ø 40 / 14.5 mm	1
9	11513	PIN BOLT RING		1
10	3103	PIN CAP SET	Ø 54 / 28 mm	1

<b>OKKS NUMBER</b>	<b>3157</b>
--------------------	-------------



Caliper Guides & Seals Repair Kit

<b>OEM NUMBER</b>	<b>K000472 / SCANIA: 1723416 / IVECO: 42541412 MERC: 000 420 3482 / MAN: 81.50822.6019</b>
-------------------	--

NR	OKKS NR	DESCRIPTION	DIMENSION	QTY
1	11467	BUSH	Ø 36 x 40 / 82 mm	1
2	11047	CALIPER PIN	Ø 36 / 114 mm	1
3	11130	PIN BOLT	M16 x 1.5 / 85 mm	1
4	11018	CALIPER PIN	Ø 32 / 80 mm	1
5	11129	PIN BOLT	M16 x 1.5 / 80 mm	1
6	3108	PIN BOOT SET		1
7	3044	RUBBER BUSH SET	39 MM	1
8	11491	PIN CAP	Ø 40 / 14.5 mm	1
9	11513	PIN BOLT RING		1

<b>OKKS NUMBER</b>	<b>3158</b>
--------------------	-------------



Caliper Guides & Seals Repair Kit

<b>OEM NUMBER</b>	<b>K001915 / K028451 / K048389K50 / DAF: 1639000 MAN: 81.50822.6034 / 81.50822.6037 MERC: 000 420 4682 / SCANIA: 1477675/1527631/2121646</b>
-------------------	--

NR	OKKS NR	DESCRIPTION	DIMENSION	QTY
1	11467	BUSH	Ø 36 x 40 / 82 mm	1
2	11047	CALIPER PIN	Ø 36 / 114 mm	1
3	11130	PIN BOLT	M16 x 1.5 / 85 mm	1
4	11018	CALIPER PIN	Ø 32 / 80 mm	1
5	11129	PIN BOLT	M16 x 1.5 / 80 mm	1
6	3108	PIN BOOT SET		1
7	3044	RUBBER BUSH SET	39 MM	1
8	11491	PIN CAP	Ø 40 / 14.5 mm	1

<b>OKKS NUMBER</b>	<b>3020</b>
--------------------	-------------



Caliper Guides & Seals Repair Kit

<b>OEM NUMBER</b>	<b>K004168 / K010766K62 / SAF: 3.434.3815.00</b>
-------------------	--

NR	OKKS NR	DESCRIPTION	DIMENSION	QTY
1	11467	BUSH	Ø 36x40/82 MM	1
2	11047	CALIPER PIN	Ø 36/114 MM	1
3	11044	CALIPER PIN	Ø 36/64 MM	1
4	11127	PIN BOLT	Ø M16x1.5/70 MM	1
5	11130	PIN BOLT	Ø M16x1.5/85 MM	1
6	3108	PIN BOOT SET		2
7	11491	PIN CAP	Ø 40/14.5 MM	1
8	11493	PIN CAP	Ø 40/24.5 MM	1
9	11474	BUSH	Ø 36x40/20 MM	1

<b>OKKS NUMBER</b>	<b>3159</b>
--------------------	-------------



Caliper Guides & Seals Repair Kit

<b>OEM NUMBER</b>	<b>K011117 / K031844K50 / K133158K50 SCANIA: 1906779 / 1756390</b>
-------------------	--

NR	OKKS NR	DESCRIPTION	DIMENSION	QTY
1	11047	CALIPER PIN	Ø 36/114 MM	1
2	11019	CALIPER PIN	Ø 32 / 84 mm	1
3		RUBBER BUSH SET		1
4		PIN BOOT SET		1
5	3108	PIN BOOT SET		1
6	10070	PIN RUBBER CAP	Ø 40 / 36.5 mm	1
7	11129	PIN BOLT	M16 x 1.5 / 80 mm	1
8	11130	PIN BOLT	M16 x 1.5 / 85 mm	1
9	3103	PIN CAP SET	Ø 54 / 28 mm	1
10	11491	PIN CAP	Ø 40 / 14.5 mm	1
11	11467	BUSH	Ø 36 x 40 / 82 mm	1

<b>OKKS NUMBER</b>	<b>3160</b>
--------------------	-------------



Caliper Guides & Seals Repair Kit

<b>OEM NUMBER</b>	<b>K001925 / K028451 / MERC: 000 420 43 82</b>
-------------------	--

NR	OKKS NR	DESCRIPTION	DIMENSION	QTY
1	11467	BUSH	Ø 36 x 40 / 82 mm	1
2	11046	CALIPER PIN	Ø 36 / 103 mm	1
3	11130	PIN BOLT	M16 x 1.5 / 85 mm	1
4	11018	CALIPER PIN	Ø 32 / 80 mm	1
5	11129	PIN BOLT	M16 x 1.5 / 80 mm	1
6	3108	PIN BOOT SET		1
7	3046	RUBBER BUSH SET	39 MM	1
8	11491	PIN CAP	Ø 40 / 14.5 mm	1

<b>OKKS NUMBER</b>	<b>3019</b>
--------------------	-------------



Caliper Guides & Seals Repair Kit

<b>OEM NUMBER</b>	<b>K000365 / MERC: A 000 420 2282</b>
-------------------	---------------------------------------

NR	OKKS NR	DESCRIPTION	DIMENSION	QTY
1	3108	PIN BOOT SET		1
2	3103	PIN CAP SET	Ø 54 / 28 mm	1
3	10022	RUBBER BUSH	Ø 34x40/50 MM	1
4	3046	RUBBER BUSH KIT	39 MM	1
5	11467	BUSH	Ø 36x40/82 MM	1
6	11047	CALIPER PIN	Ø 36/114 MM	1
7	11018	CALIPER PIN	Ø 32/80 MM	1
8	11025	CALIPER PIN	Ø 34/80 MM	1
9	11130	PIN BOLT	Ø M16x1.5/85 MM	2
10	11129	PIN BOLT	Ø M16x1.5/80 MM	1
11	11490	PIN CAP	Ø 40/11 MM	1

<b>OKKS NUMBER</b>	<b>3161</b>
--------------------	-------------



Caliper Guides & Seals Repair Kit

<b>OEM NUMBER</b>	<b>K002872</b>
-------------------	----------------

NR	OKKS NR	DESCRIPTION	DIMENSION	QTY
1	11467	BUSH	Ø 36 x 40 / 82 mm	1
2	11047	CALIPER PIN	Ø 36 / 114 MM	1
3	11045	CALIPER PIN	Ø36/64 MM	1
4	11128	PIN BOLT	Ø M16x1.5/75 MM	1
5	11130	PIN BOLT	Ø M16x1.5/85 MM	1
6	3108	PIN BOOT SET		2
7	11491	PIN CAP	Ø 40 / 14.5 mm	1
8	11494	PIN CAP	Ø 40 / 31 mm	1
9	11475	BUSH	Ø 36 x 40 / 20 mm	1

<b>OKKS NUMBER</b>	<b>3162</b>
--------------------	-------------



Caliper Guides & Seals Repair Kit

<b>OEM NUMBER</b>	<b>K001691</b>
-------------------	----------------

NR	OKKS NR	DESCRIPTION	DIMENSION	QTY
1	11467	BUSH	Ø 36 x 40 / 82 mm	1
2	11047	CALIPER PIN	Ø 36 / 114 MM	1
3	11130	PIN BOLT	Ø M16x1.5/85 MM	1
4	3108	PIN BOOT SET		1
5	11494	PIN CAP	Ø 40 / 31 mm	1
6	11491	PIN CAP	Ø 40 / 14.5 mm	1



Caliper Guides & Seals Repair Kit

<b>OEM NUMBER</b>	K001692
-------------------	---------

NR	OKKS NR	DESCRIPTION	DIMENSION	QTY
1	3108	PIN BOOT SET		1
2	11491	PIN CAP	Ø 40 / 14.5 mm	1
3	11045	CALIPER PIN	Ø 36 / 70 mm	1
4	11128	PIN BOLT	Ø M16x 1.5/75 MM	1
5	11130	PIN BOLT	Ø M16x1.5/85 MM	1
6	11475	BUSH	Ø 36 x 40 / 20 mm	1
7	11494	PIN CAP	Ø 40 / 31 mm	1



Caliper Guides & Seals Repair Kit

<b>OEM NUMBER</b>	K048434K62 / K067417K50 / K087279K62 SAF: 3.434.3820.00
-------------------	--

NR	OKKS NR	DESCRIPTION	DIMENSION	QTY
1	11467	BUSH	Ø 36x40/82 MM	1
2	11047	CALIPER PIN	Ø 36/114 MM	1
3	11130	PIN BOLT	Ø M16x1.5/85 MM	1
4	11018	CALIPER PIN	Ø 32/80 MM	1
5	11129	PIN BOLT	Ø M16x1.5/80 MM	1
6	3108	PIN BOOT SET		1
7	3045	RUBBER BUSH KIT	35 MM	1
8	3103	PIN CAP SET	Ø 54 / 28 mm	1
9	11491	PIN CAP	Ø 40/14.5 MM	1
10	11531	RUBBER BUSH STOP RING	39 MM	1
11	10047	STOP RING PLASTIK		1



Caliper Guides & Seals Repair Kit

<b>OEM NUMBER</b>	K067417K50 SAF: 3434382000 / SCANIA: 2292232
-------------------	---

NR	OKKS NR	DESCRIPTION	DIMENSION	QTY
1	11467	BUSH	Ø 36 x 40 / 82 MM	1
2	11047	CALIPER PIN	Ø 36/114 MM	1
3	11130	PIN BOLT	M16x 1.5 / 85 MM	1
4	11018	CALIPER PIN	Ø 32 / 80 MM	1
5	11129	PIN BOLT	M16x 1.5 / 80 MM	1
6	3108	PIN BOOT SET		1
7	3043	RUBBER BUSH KIT	35 MM	1
8	3103	PIN CAP SET	Ø 54 / 28 mm	1
9	11491	PIN CAP	Ø 40/14.5 MM	1
10	11513	PIN BOLT RING		1
11	11531	RUBBER BUSH STOP RING	Ø 39 MM	1
12	10047	STOP RING PLASTIK		1



Caliper Guides & Seals Repair Kit

<b>OEM NUMBER</b>	K052759K50
-------------------	------------

NR	OKKS NR	DESCRIPTION	DIMENSION	QTY
1	11467	BUSH	Ø 36 x 40 / 82 MM	1
2	11047	CALIPER PIN	Ø 36/114 MM	1
3	11130	PIN BOLT	M16x 1.5 / 85 MM	1
4	11020	CALIPER PIN	Ø 32/88,5 MM	1
5	11129	PIN BOLT	M16x 1.5 / 80 MM	1
6	3108	PIN BOOT SET		1
7	3044	RUBBER BUSH SET	39 MM	1
8	11491	PIN CAP	Ø 40/14.5 MM	1



<b>OKKS NUMBER</b>	3164
--------------------	------



Caliper Guides & Pad Retainer Repair Kit

<b>OEM NUMBER</b>	K013007
-------------------	---------

<b>OKKS NUMBER</b>	3165
--------------------	------



Caliper Caps

<b>OEM NUMBER</b>	
-------------------	--

<b>OKKS NUMBER</b>	3030
--------------------	------



Caliper Guides & Seals Repair Kit

<b>OEM NUMBER</b>	
-------------------	--

<b>OKKS NUMBER</b>	3105
--------------------	------



Caliper Boot Repair Kit

<b>OEM NUMBER</b>	
-------------------	--

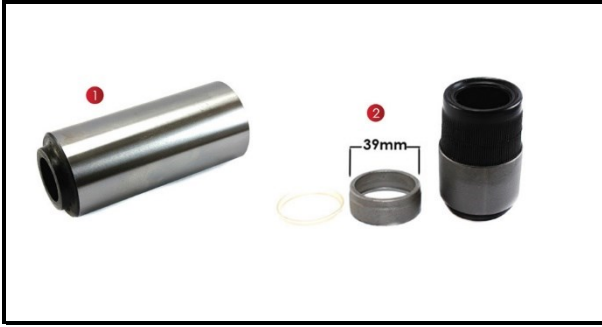
NR	OKKS NR	DESCRIPTION	DIMENSION	QTY
1	11047	CALIPER PIN	Ø 36/114 MM	1
2	11044	CALIPER PIN	Ø 36/64 MM	1
3	11130	PIN BOLT	M16x 1.5 / 85 MM	1
4	11127	PIN BOLT	M16x1.5/70 MM	1
5	10064	PLASTIC RING		2
6	10021	ADJUSTING MECHANISM CAP	38 mm	1
7	11180	ADJUSTING MECHANISM ADAPTER		1
8	11491	PIN CAP	Ø 40/14.5 MM	1
9	11493	PIN CAP	Ø 40 / 24.5 mm	1
10	3113	PAD RETAINER REPAIR KIT	25 mm	1

NR	OKKS NR	DESCRIPTION	DIMENSION	QTY
1	11490	PIN CAP	Ø 40 / 11 mm	5

NR	OKKS NR	DESCRIPTION	DIMENSION	QTY
1	11044	CALIPER PIN	Ø 36/64 MM	1
2	11127	PIN BOLT	Ø M16x1.5/70 MM	1
3	3108	PIN BOOT SET		1
4	11493	PIN CAP	Ø 40/24.5 MM	1
5	11474	BUSH	Ø 36x40/20 MM	1

NR	OKKS NR	DESCRIPTION	DIMENSION	QTY
1	3108	PIN BOOT SET		1
2	3107	BELLOW CAP SET		1
3	10022	RUBBER BUSH	Ø 34x40/50 MM	1

<b>OKKS NUMBER</b>	3033
--------------------	------



Caliper Guide & Rubber Bush Repair Kit

<b>OEM NUMBER</b>	K000697
-------------------	---------

<b>OKKS NUMBER</b>	3096
--------------------	------



Caliper Guide & Rubber Bush Repair Kit

<b>OEM NUMBER</b>	K000698
-------------------	---------

<b>OKKS NUMBER</b>	3026
--------------------	------



Caliper Guide & Rubber Bush Repair Kit

<b>OEM NUMBER</b>	
-------------------	--

<b>OKKS NUMBER</b>	3034
--------------------	------



Caliper Guide & Rubber Bush Repair Kit

<b>OEM NUMBER</b>	
-------------------	--

NR	OKKS NR	DESCRIPTION	DIMENSION	QTY
1	11018	CALIPER PIN	Ø 32 / 80 MM	1
2	3044	RUBBER BUSH SET	Ø 39 MM	1

NR	OKKS NR	DESCRIPTION	DIMENSION	QTY
1	11018	CALIPER PIN	Ø 32 / 80 MM	1
2	3043	RUBBER BUSH SET	35 MM	1

NR	OKKS NR	DESCRIPTION	DIMENSION	QTY
1	11047	CALIPER PIN	Ø 36 / 114 MM	1
2	11018	CALIPER PIN	Ø 32 / 80 MM	1
3	11129	PIN BOLT	M16 x 1.5 / 80 MM	1
4	11130	PIN BOLT	M16x 1.5 / 85 MM	1
5	3043	RUBBER BUSH SET	Ø 35 MM	1
6	11531	RUBBER BUSH STOP RING	Ø 39 MM	1
7	10047	STOP RING PLASTIK		1

NR	OKKS NR	DESCRIPTION	DIMENSION	QTY
1		CALIPER PIN	Ø 32 / 80 MM	1
2		RUBBER BUSH SET	Ø 39 MM	1

<b>OKKS NUMBER</b>	3100
--------------------	------



Caliper Guide & Rubber Bush Repair Kit

<b>OKKS NUMBER</b>	
--------------------	--

NR	OKKS NR	DESCRIPTION	DIMENSION	QTY
1	11018	CALIPER PIN	Ø 32/80 MM	1
2	3044	RUBBER BUSH KIT	Ø 39 MM	1
3	11534	RUBBER BUSH STOP RING	Ø 35 MM	1
4	10047	STOP RING PLASTIK		1

<b>OKKS NUMBER</b>	3167
--------------------	------



<b>OEM NUMBER</b>	
-------------------	--

NR	OKKS NR	DESCRIPTION	DIMENSION	QTY
1	11047	CALIPER PIN	Ø 36 / 114 MM	1
2	11018	CALIPER PIN	Ø 32 / 80 MM	1
3	11129	PIN BOLT	M16 x1.5 / 80 MM	1
4	11130	PIN BOLT	M16 x1.5 / 85 MM	1
5	3046	RUBBER BUSH KIT	39 MM	1
6	11534	RUBBER BUSH STOP RING	Ø 35 MM	1
7	10047	STOP RING PLASTIK		1

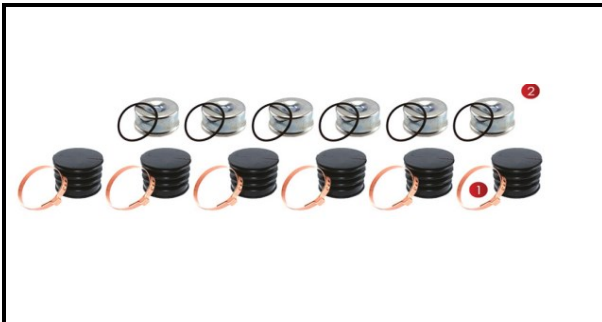
<b>OKKS NUMBER</b>	3168
--------------------	------



<b>OEM NUMBER</b>	
-------------------	--

NR	OKKS NR	DESCRIPTION	DIMENSION	QTY
1	3053	RUBBER BUSH KIT	39 MM	1
2	11019	CALIPER PIN	Ø 32 / 84 MM	1

<b>OKKS NUMBER</b>	3037
--------------------	------



Caliper Cap Set

<b>OEM NUMBER</b>	K001301 / I1350470063 / MAN: 81.50822.6025 SCANIA: 1439494 / 2121839
-------------------	---

NR	OKKS NR	DESCRIPTION	DIMENSION	QTY
1	3107	BELLOW CAP SET		1
2	3103	PIN CAP SET		1

<b>OKKS NUMBER</b>	3041
--------------------	------

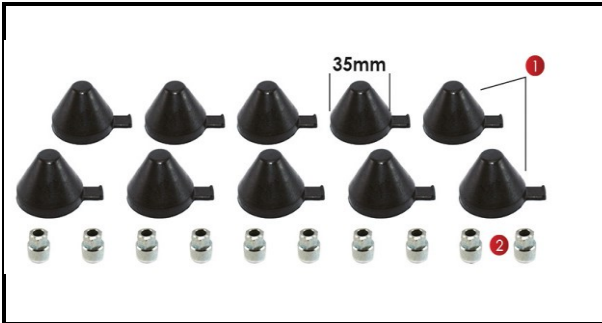


Brake Pad Retainer Repair Kit

<b>OEM NUMBER</b>	
-------------------	--

NR	OKKS NR	DESCRIPTION	DIMENSION	QTY
1	10021	ADJUSTING MECHANISM CAP	38 MM	2
2	11185	WASHER		2
3	11724	PIN		2
4	10065	ADJUSTING MECHANISM CAP		2
5	11725	SPLIT COTTER PIN		2
6	11180	ADJUSTING MECHANISM ADAPTER		1

<b>OKKS NUMBER</b>	3039
--------------------	------



Caliper Adjusting Mechanism Cap Set

<b>OEM NUMBER</b>	K003902 / ADB22X / MERC: 000 420 32 48 SAF: 2121869 / 2198536
-------------------	--

NR	OKKS NR	DESCRIPTION	DIMENSION	QTY
1	10020	ADJUSTING MECHANISM CAP	35MM	10
2	11180	ADJUSTING MECHANISM ADAPTER		10

<b>OKKS NUMBER</b>	3040
--------------------	------

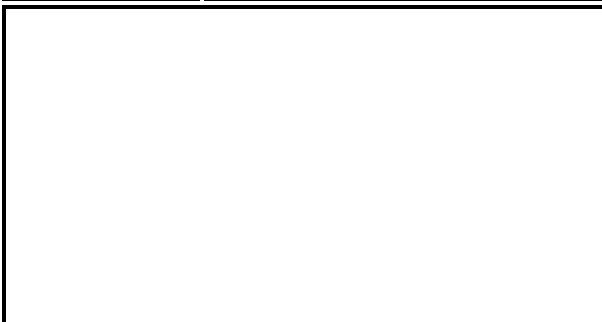


Caliper Adjusting Mechanism Cap Set

<b>OEM NUMBER</b>	K000029 / MAN: 81.50822.6021 EVOBUS: 000 423 4687
-------------------	--

NR	OKKS NR	DESCRIPTION	DIMENSION	QTY
1	10021	ADJUSTING MECHANISM CAP	38 MM	10
2	11180	ADJUSTING MECHANISM ADAPTER		10

<b>OKKS NUMBER</b>	3167
--------------------	------

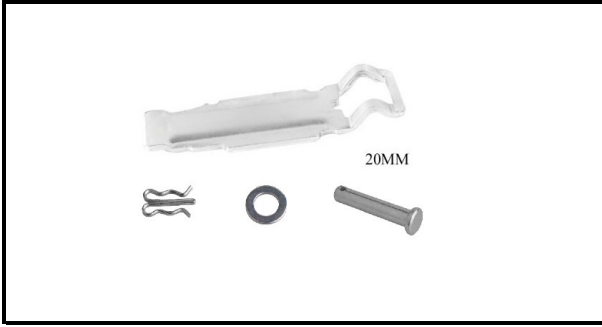


Pad Retainer Repair Kit

<b>OEM NUMBER</b>	K002311 / IVECO: 42541464
-------------------	---------------------------

NR	OKKS NR	DESCRIPTION	DIMENSION	QTY
	11601	PAD RETAINER REPAIR KIT	20 MM	1
	11185	WASHER		1
	11724	PIN		1
	11725	SPLIT COTTER PIN		1

<b>OKKS NUMBER</b>	3110
--------------------	------

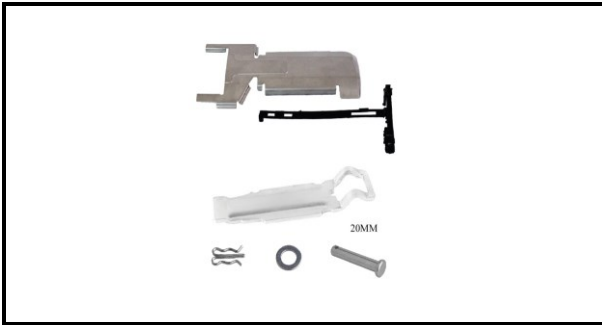


Pad Retainer Repair Kit

<b>OEM NUMBER</b>	II19712004 / K000129 / II30679004 / II197120061 MERC: A 000 420 2682 / SAF: 85317002600
-------------------	--

NR	OKKS NR	DESCRIPTION	DIMENSION	QTY
1	11601	PAD RETAINER REPAIR KIT	20 MM	1
2	11725	SPLIT COTTER PIN		1
3	11185	WASHER		1
4	11724	PIN		1

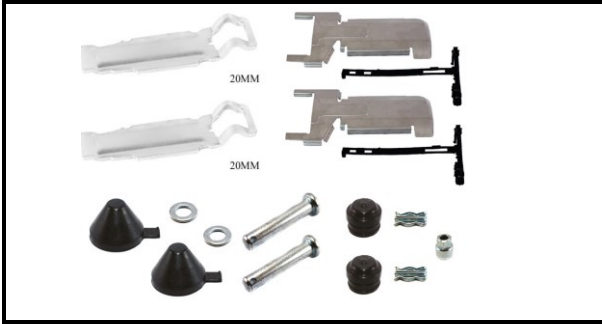
<b>OKKS NUMBER</b>	3042
--------------------	------



<b>OEM NUMBER</b>	K000884
-------------------	---------

NR	OKKS NR	DESCRIPTION	DIMENSION	QTY
1	11727	CABLE PROTECTION KIT		1
2	3110	PAD RETAINER KIT	20 MM	1

<b>OKKS NUMBER</b>	3112
--------------------	------

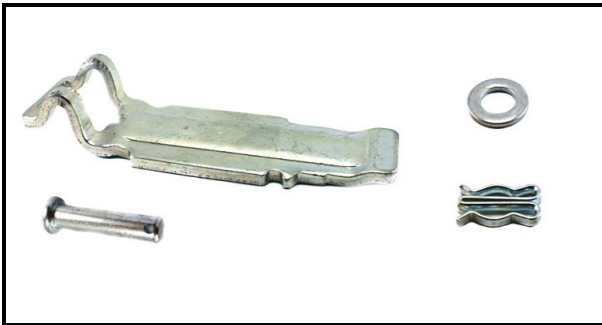


Pad Retainer Repair Kit

<b>OEM NUMBER</b>	K002311
-------------------	---------

NR	OKKS NR	DESCRIPTION	DIMENSION	QTY
1	11601	PAD RETAINER	20 MM	2
2	11727	CALIPER CABLE PROTECTION KIT		2
3	10021	ADJUSTING MECHANISM CAP	38 MM	2
4	11185	WASHER		2
5	11724	PIN		2
6	10065	ADJUSTING MECHANISM CAP		2
7	11725	SPLIT COTTER PIN		2
8	11180	ADJUSTING MECHANISM ADAPTER		1

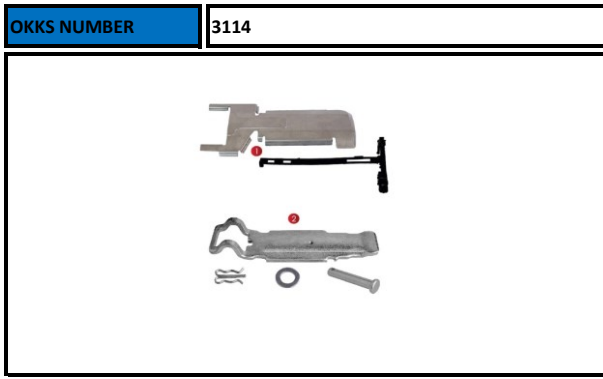
<b>OKKS NUMBER</b>	3113
--------------------	------



Pad Retainer Repair Kit

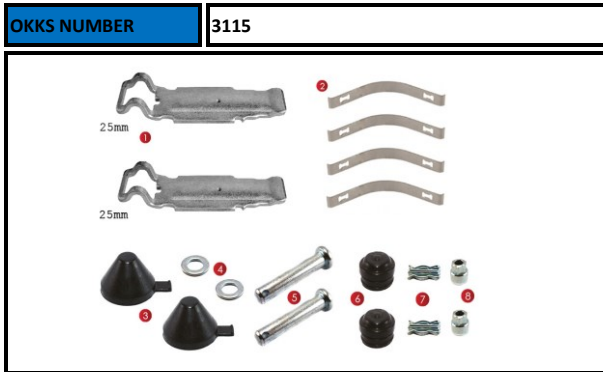
<b>OEM NUMBER</b>	K000133 / MERC: A 000 420 2582
-------------------	--------------------------------

NR	OKKS NR	DESCRIPTION	DIMENSION	QTY
1	11724	PIN		1
2	11602	PAD RETAINER	25 MM	1
3	11185	WASHER		1
4	11725	SPLIT COTTER PIN		1



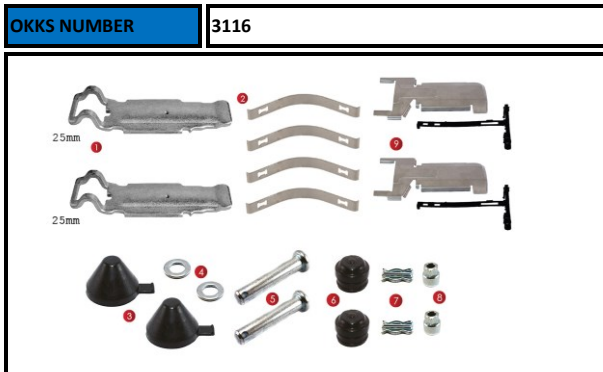
Pad Retainer Repair Kit

<b>OEM NUMBER</b>	
-------------------	--



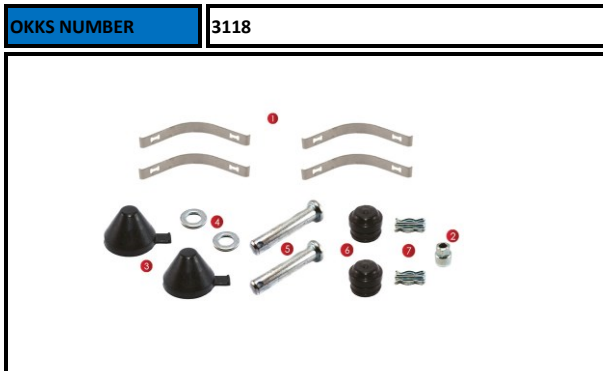
Pad Retainer Repair Kit

<b>OEM NUMBER</b>	
-------------------	--



Pad Retainer Repair Kit

<b>OEM NUMBER</b>	
-------------------	--



Pad Retainer Repair Kit

<b>OEM NUMBER</b>	<b>K000946</b>
-------------------	----------------

NR	OKKS NR	DESCRIPTION	DIMENSION	QTY
1	11727	CABLE PROTECTION KIT		1
2	3113	PAD RETAINER	25 MM	1

NR	OKKS NR	DESCRIPTION	DIMENSION	QTY
1	3113	PAD RETAINER	25 MM	2
2	11725	BRAKE PAD SPRING		2
3	10021	ADJUSTING MECHANISM CAP	38 MM	2
4	11185	WASHER		2
5	11724	PIN		2
6	10065	ADJUSTING MECHANISM CAP		2
7	11725	SPLIT COTTER PIN		2
8	11180	ADJUSTING MECHANISM ADAPTER		2

NR	OKKS NR	DESCRIPTION	DIMENSION	QTY
1	3113	PAD RETAINER	25 MM	2
2	11725	BRAKE PAD SPRING		2
3	10021	ADJUSTING MECHANISM CAP	38 MM	2
4	11185	WASHER		2
5	11724	PIN		2
6	10065	ADJUSTING MECHANISM CAP		2
7	11725	SPLIT COTTER PIN		2
8	11180	ADJUSTING MECHANISM ADAPTER		2
9	11727	CALIPER CABLE PROTECTION KIT		2

NR	OKKS NR	DESCRIPTION	DIMENSION	QTY
1	11743	BRAKE PAD SPRING		4
2	11180	ADJUSTING MECHANISM ADAPTER		1
3	10021	ADJUSTING MECHANISM CAP	38 MM	2
4	11185	WASHER		2
5	11724	PIN		2
6	10065	ADJUSTING MECHANISM CAP		2
7	11725	SPLIT COTTER PIN		2







OKKS NUMBER 3171



Caliper Bridge Kit

OEM NUMBER

NR	OKKS NR	DESCRIPTION	DIMENSION	QTY
	11402	CALIPER SHAFT HOUSING		1
	11744	SHAFT HOUSING PIN		1
	11728	SHAFT HOUSING PIN CLAMP		2

OKKS NUMBER 11404



Caliper Bridge Kit

OEM NUMBER

NR	OKKS NR	DESCRIPTION	DIMENSION	QTY

OKKS NUMBER 3173



OEM NUMBER

NR	OKKS NR	DESCRIPTION	DIMENSION	QTY
1	3171	CALIPER SHAFT HOUSING		1
2	11157	CALIBRATION BOLT		2
3	11539	LEVER BEARING		1
4	11252	SHAFT HOUSING SPRING		1

OKKS NUMBER 3174



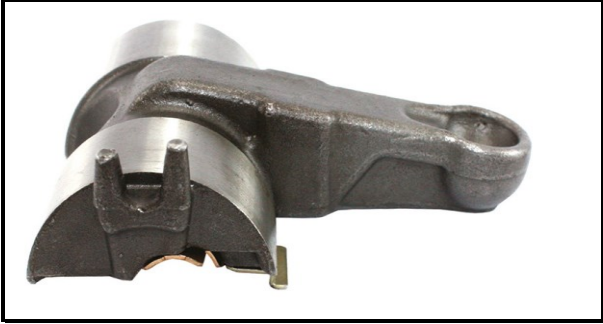
OEM NUMBER

NR	OKKS NR	DESCRIPTION	DIMENSION	QTY
1	11404	CALIPER SHAFT HOUSING		1
2	11157	CALIBRATION BOLT		2
3	11539	LEVER BEARING		1
4	11252	SHAFT HOUSING SPRING		1





OKKS NUMBER	11371
-------------	-------



Caliper Level (Angle 0)

OEM NUMBER	
------------	--

NR	OKKS NR	DESCRIPTION	DIMENSION	QTY

OKKS NUMBER	11376
-------------	-------



Caliper Level (Angle 12)

OEM NUMBER	
------------	--

NR	OKKS NR	DESCRIPTION	DIMENSION	QTY

OKKS NUMBER	11379
-------------	-------



Caliper Level (Angle 12)

OEM NUMBER	
------------	--

NR	OKKS NR	DESCRIPTION	DIMENSION	QTY

OKKS NUMBER	3054
-------------	------



OEM NUMBER	Z001548
------------	---------

NR	OKKS NR	DESCRIPTION	DIMENSION	QTY
1	11180	ADJUSTING MECHANISM ADAPTER		10

<b>OKKS NUMBER</b>	3055
--------------------	------



<b>OEM NUMBER</b>	
-------------------	--

NR	OKKS NR	DESCRIPTION	DIMENSION	QTY
1	11721	CALIPER MECHANISM GEAR SET		5

<b>OKKS NUMBER</b>	3137
--------------------	------



Caliper Lever Bearing

<b>OEM NUMBER</b>	
-------------------	--

NR	OKKS NR	DESCRIPTION	DIMENSION	QTY
1		CALIPER LEVER BEARING		5

<b>OKKS NUMBER</b>	3178
--------------------	------



Caliper Cover

<b>OEM NUMBER</b>	
-------------------	--

NR	OKKS NR	DESCRIPTION	DIMENSION	QTY
1	11603	CALIPER COVER		1
2	11104	BOLT	M8 x 1.25 / 16 mm	8

<b>OKKS NUMBER</b>	3179
--------------------	------



Caliper Cover

<b>OEM NUMBER</b>	
-------------------	--

NR	OKKS NR	DESCRIPTION	DIMENSION	QTY
1	11604	CALIPER COVER		1
2	11109	BOLT	M8 x 1.25 / 50 mm	2
3	11104	BOLT	M8 x 1.25 / 16 mm	6





<b>OKKS NUMBER</b>	3201
--------------------	------

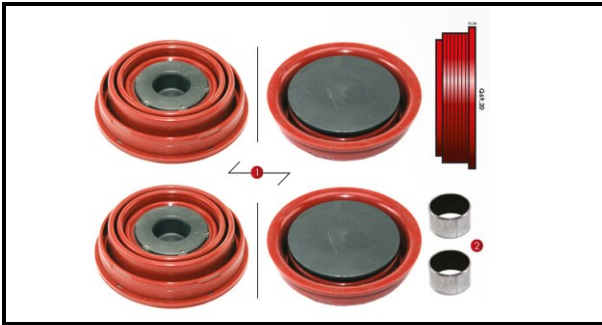


Caliper Piston Repair Kit

<b>OEM NUMBER</b>	
-------------------	--

NR	OKKS NR	DESCRIPTION	DIMENSION	QTY
1	3200	THRUST PART WITH BELLOW	Ø 69 MM	1
2	11451	BUSH	Ø 16 x 18 / 10 MM	1

<b>OKKS NUMBER</b>	3202
--------------------	------



Caliper Piston Repair Kit

<b>OEM NUMBER</b>	
-------------------	--

NR	OKKS NR	DESCRIPTION	DIMENSION	QTY
1	3200	THRUST PART WITH BELLOW	Ø 69 MM	2
2	11451	BUSH	Ø 16 x 18 / 10 MM	2

<b>OKKS NUMBER</b>	3203
--------------------	------



Caliper Boots & Piston Repair Kit

<b>OEM NUMBER</b>	K046523K50 / DAIMLER: A 000 423 0316
-------------------	--------------------------------------

NR	OKKS NR	DESCRIPTION	DIMENSION	QTY
1	3200	THRUST PART WITH BELLOW	Ø 69 MM	2
2	11451	BUSH	Ø 16 x 18 / 10 MM	2
3	10004	SHAFT HOUSING BOOT	Ø 69 MM	2

<b>OKKS NUMBER</b>	3204
--------------------	------



Caliper Boots & Piston Repair Kit

<b>OEM NUMBER</b>	
-------------------	--

NR	OKKS NR	DESCRIPTION	DIMENSION	QTY
1	3200	THRUST PART WITH BELLOW	Ø 69 MM	1
2	11451	BUSH	Ø 16 x 18 / 10 MM	1
3	10004	SHAFT HOUSING BOOT	Ø 69 MM	1



<b>OKKS NUMBER</b>	3205
--------------------	------



Caliper Boots & Piston Repair Kit

<b>OEM NUMBER</b>	
-------------------	--

<b>OKKS NUMBER</b>	3158
--------------------	------



Caliper Guides & Seals Repair Kit

<b>OEM NUMBER</b>	K001915 / K028451 / K048389K50 / DAF: 1639000 MAN: 81.50822.6034 / 81.50822.6037 MERC: 000 420 4682 / SCANIA: 1477675/1527631/2121646
-------------------	---

<b>OKKS NUMBER</b>	3160
--------------------	------



Caliper Guides & Seals Repair Kit

<b>OEM NUMBER</b>	K001925 / K028451 / MERC: 000 420 43 82
-------------------	---

<b>OKKS NUMBER</b>	3206
--------------------	------



Caliper Guides & Seals Repair Kit

<b>OEM NUMBER</b>	
-------------------	--

NR	OKKS NR	DESCRIPTION	DIMENSION	QTY
1	3200	THRUST PART WITH BELLOW	69 MM	2
2	11451	BUSH	Ø 16x18/10 MM	2
3	10006	SHAFT HOUSING BOOT	69 MM	2

NR	OKKS NR	DESCRIPTION	DIMENSION	QTY
1	11467	BUSH	Ø 36 x 40 / 82 mm	1
2	11047	CALIPER PIN	Ø 36 / 114 mm	1
3	11130	PIN BOLT	M16 x 1.5 / 85 mm	1
4	11018	CALIPER PIN	Ø 32 / 80 mm	1
5	11129	PIN BOLT	M16 x 1.5 / 80 mm	1
6	3108	PIN BOOT SET		1
7	3046	RUBBER BUSH SET	39 MM	1
8	11491	PIN CAP	Ø 40 / 14.5 mm	1

NR	OKKS NR	DESCRIPTION	DIMENSION	QTY
1	11467	BUSH	Ø 36 x 40 / 82 mm	1
2	11046	CALIPER PIN	Ø 36 / 103 mm	1
3	11130	PIN BOLT	M16 x 1.5 / 85 mm	1
4	11018	CALIPER PIN	Ø 32 / 80 mm	1
5	11129	PIN BOLT	M16 x 1.5 / 80 mm	1
6	3108	PIN BOOT SET		1
7	3046	RUBBER BUSH SET	39 MM	1
8	11491	PIN CAP	Ø 40 / 14.5 mm	1

NR	OKKS NR	DESCRIPTION	DIMENSION	QTY
1	11467	BUSH	Ø 36 x 40 / 82 mm	1
2	11047	CALIPER PIN	Ø 36 / 114 mm	1
3	11130	PIN BOLT	M16 x 1.5 / 85 mm	1
4	11018	CALIPER PIN	Ø 32 / 80 mm	1
5	11129	PIN BOLT	M16 x 1.5 / 80 mm	1
6	3108	PIN BOOT SET		1
7	3044	RUBBER BUSH SET	39 MM	1
8	11491	PIN CAP	Ø 40 / 14.5 mm	1

<b>OKKS NUMBER</b>	3207
--------------------	------



Caliper Guides & Seals Repair Kit

<b>OEM NUMBER</b>	
-------------------	--

<b>OKKS NUMBER</b>	3208
--------------------	------



Caliper Guides & Pad Retainer Repair Kit

<b>OEM NUMBER</b>	K012912
-------------------	---------

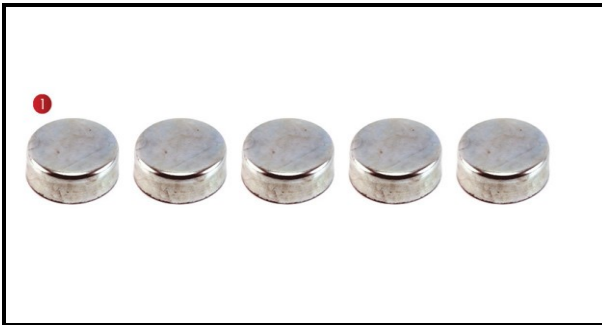
<b>OKKS NUMBER</b>	3209
--------------------	------



Caliper Guides & Pad Retainer Repair Kit

<b>OEM NUMBER</b>	
-------------------	--

<b>OKKS NUMBER</b>	3165
--------------------	------



<b>OEM NUMBER</b>	
-------------------	--

NR	OKKS NR	DESCRIPTION	DIMENSION	QTY
1	11467	BUSH	Ø 36 x 40 / 82 mm	1
2	11047	CALIPER PIN	Ø 36 / 114 mm	1
3	11044	CALIPER PIN	Ø 36 / 64 MM	1
4	11127	PIN BOLT	M16 x 1.5 / 70 mm	1
5	11130	PIN BOLT	M16 x 1.5 / 85 mm	1
6	3108	PIN BOOT SET		2
7	11491	PIN CAP	Ø 40 / 14.5 mm	1
8	11493	PIN CAP	Ø 40 / 24.5 mm	1
9	11475	BUSH	Ø 36 x 40 / 20 mm	1

NR	OKKS NR	DESCRIPTION	DIMENSION	QTY
1	11047	CALIPER PIN	Ø 36 / 114 mm	1
2	11018	CALIPER PIN	Ø 32 / 80 mm	1
3	11130	PIN BOLT	M16 x 1.5 / 85 mm	1
4	11127	PIN BOLT	M16 x 1.5 / 70 mm	1
5	10064	PLASTIC RING		1
6	10021	ADJUSTING MECHANISM CAP	38 MM	1
7	11180	ADJUSTING MECHANISM ADAPTER		1
8	11491	PIN CAP	Ø 40 / 14.5 mm	1
9	3113	PAD RETAINER REPAIR KIT	25 MM	1

NR	OKKS NR	DESCRIPTION	DIMENSION	QTY
1	11047	CALIPER PIN	Ø 36 / 114 mm	1
2	11018	CALIPER PIN	Ø 32 / 80 mm	1
3	11130	PIN BOLT	M16 x 1.5 / 85 mm	1
4	11127	PIN BOLT	M16 x 1.5 / 70 mm	1
5	10064	PLASTIC RING		1
6	10021	ADJUSTING MECHANISM CAP	38 MM	1
7	11180	ADJUSTING MECHANISM ADAPTER		1
8	11491	PIN CAP	Ø 40 / 14.5 mm	1
9	11467	BUSH	Ø 36 x 40 / 82 mm	1
10	3113	PAD RETAINER REPAIR KIT	25 MM	1

NR	OKKS NR	DESCRIPTION	DIMENSION	QTY
1	11490	PIN CAP	Ø 40 / 11 mm	5



OKKS NUMBER 3174



OEM NUMBER

NR	OKKS NR	DESCRIPTION	DIMENSION	QTY
1	11404	CALIPER SHAFT HOUSING		1
2	11157	CALIBRATION BOLT		2
3	11539	LEVER BEARING		1
4	11252	SHAFT HOUSING SPRING		1

OKKS NUMBER 3210



Caliper Roller Bearing

OEM NUMBER

NR	OKKS NR	DESCRIPTION	DIMENSION	QTY
1	11285	ROLLER BEARING		2

OKKS NUMBER 11156



Caliper Calibration Bolt

OEM NUMBER

NR	OKKS NR	DESCRIPTION	DIMENSION	QTY

OKKS NUMBER 11376



Caliper Level (Angle 12)

OEM NUMBER

NR	OKKS NR	DESCRIPTION	DIMENSION	QTY

<b>OKKS NUMBER</b>	3179
--------------------	------

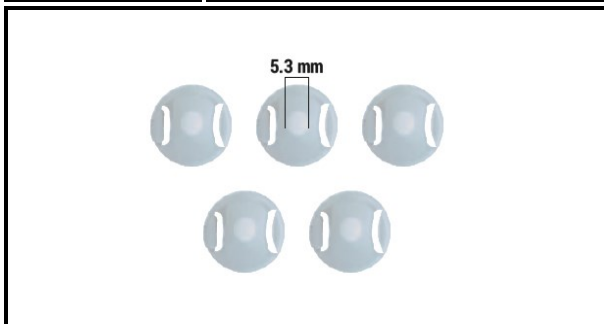


Caliper Cover

<b>OEM NUMBER</b>	
-------------------	--

NR	OKKS NR	DESCRIPTION	DIMENSION	QTY
1	11604	CALIPER COVER		1
2	11109	BOLT	M8 x 1.25 / 50 mm	2
3	11104	BOLT	M8 x 1.25 / 16 mm	6

<b>OKKS NUMBER</b>	3060
--------------------	------

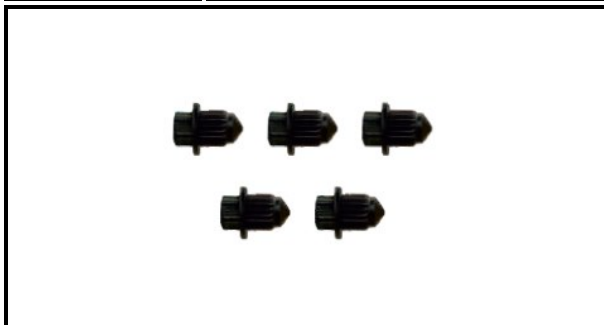


Plastic Shaft

<b>OEM NUMBER</b>	
-------------------	--

NR	OKKS NR	DESCRIPTION	DIMENSION	QTY
1	10086	SENSOR ADJUSTER PLASTIC	5,3 MM	5

<b>OKKS NUMBER</b>	3061
--------------------	------

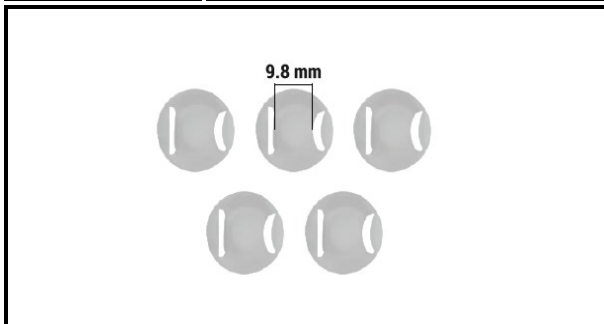


Plastic Shaft

<b>OEM NUMBER</b>	
-------------------	--

NR	OKKS NR	DESCRIPTION	DIMENSION	QTY
1	10082	SENSOR COVER GEAR SHAFT		5

<b>OKKS NUMBER</b>	3180
--------------------	------



Plastic Shaft

<b>OEM NUMBER</b>	
-------------------	--

NR	OKKS NR	DESCRIPTION	DIMENSION	QTY
1	10085	SENSOR ADJUSTER PLASTIC	9,8 MM	5

OKKS NUMBER 3181

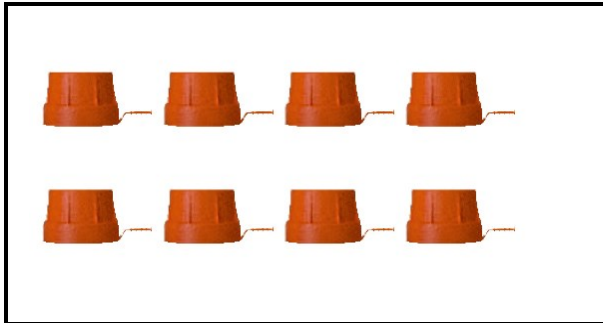


Caliper Caps

OEM NUMBER

NR	OKKS NR	DESCRIPTION	DIMENSION	QTY
1	10072	CALIPER HEAD SEALING PLUG		5

OKKS NUMBER 3064

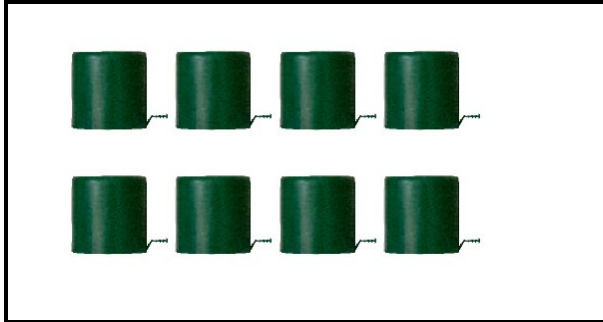


Caliper Bushing Cap (Short)

OEM NUMBER

NR	OKKS NR	DESCRIPTION	DIMENSION	QTY
1	10083	RUBBER BUSH CAP	SHORT	8

OKKS NUMBER 3065



Caliper Bushing Cap (Long)

OEM NUMBER

NR	OKKS NR	DESCRIPTION	DIMENSION	QTY
1	10084	RUBBER BUSH CAP	LONG	8

<b>OKKS NUMBER</b>	<b>3301</b>
--------------------	-------------



Caliper Guides & Seals Repair Kit

<b>OEM NUMBER</b>	<b>MCK1118 / VOLVO: 85102092</b>
-------------------	----------------------------------

<b>OKKS NUMBER</b>	<b>3302</b>
--------------------	-------------



Caliper Guides & Seals Repair Kit

<b>OEM NUMBER</b>	<b>MCK1116 / VOLVO: 85102094 / DAF: 1489197 RENAULT: 5021 202 776</b>
-------------------	---

<b>OKKS NUMBER</b>	<b>3303</b>
--------------------	-------------



Caliper Guides & Dust Cover Repair Kit

<b>OEM NUMBER</b>	<b>MCK1134 / SJ4094 / DAF: 1489198 VOLVO: 3092255 / 3095627 / 85103892</b>
-------------------	--

<b>OKKS NUMBER</b>	<b>3304</b>
--------------------	-------------



Caliper Guides & Dust Cover Repair Kit

<b>OEM NUMBER</b>	<b>MCK1135 / DAF: 1522166 VOLVO: 3092256 / 3096788 / 85103891</b>
-------------------	---

NR	OKKS NR	DESCRIPTION	DIMENSION	QTY
1	11472	OVAL BUSH	Ø 35-36 x 39 / 30 MM	2
2	11492	PIN CAP	Ø 40 / 18.5 MM	2
3	10043	LONG PIN FIBER BUSH	Ø 35 x 39 / 77 MM	1
4	10009	PIN BOOT		2
5	11517	RING	Ø 37 x 40 / 11 MM	2
6	11034	CALIPER PIN	Ø 35 / 102 MM	2
7	11155	PIN BOLT	Ø M20 x 2 / 125 MM	2

NR	OKKS NR	DESCRIPTION	DIMENSION	QTY
1	11472	OVAL BUSH	Ø 35-36 x 39 / 30 MM	1
2	11492	PIN CAP	Ø 40 x18.5 MM	2
3	10043	FIBER BUSH	Ø 35 x 39 / 77 MM	1
4	10009	PIN BOOT		2
5	11517	RING	Ø 37 x 40 / 11 MM	2
6	11034	CALIPER PIN	Ø 35 x102 MM	1
7	11155	PIN BOLT	Ø M20 x 2 / 125 MM	1
8	11554	PIN BOLT	Ø M20 x 2 / 80 MM	1
9	11028	CALIPER PIN	Ø 35/ 60 MM	1

NR	OKKS NR	DESCRIPTION	DIMENSION	QTY
1	10045	FIBER BUSH	Ø 35 x 39 / 38 MM	2
2	11492	PIN CAP	Ø 40 x18.5 MM	2
3	11472	OVAL BUSH	Ø 35-36 x 39 / 30 MM	1
4	10009	PIN BOOT		2
5	11517	RING	Ø 37 x 40 / 11 MM	2
6	11034	CALIPER PIN	Ø 35 x102 MM	1
7	11155	PIN BOLT	Ø M20 x 2 / 125 MM	1
8	11554	PIN BOLT	Ø M20 x 2 / 80 MM	1
9	11028	CALIPER PIN	Ø 35/ 60 MM	1

NR	OKKS NR	DESCRIPTION	DIMENSION	QTY
1	11492	PIN CAP	Ø 40 x18.5 MM	2
2	10045	FIBER BUSH	Ø 35 x 39 / 38 MM	2
3	11472	OVAL BUSH	Ø 35-36 x 39 / 30 MM	2
4	10009	PIN BOOT		2
5	11517	RING	Ø 37 x 40 / 11 MM	2
6	11034	CALIPER PIN	Ø 35 x102 MM	2
7	11155	PIN BOLT	Ø M20 x 2 / 125 MM	



Caliper Guides & Seals Repair Kit

<b>OEM NUMBER</b>	
-------------------	--



Caliper Guides & Seals Repair Kit

<b>OEM NUMBER</b>	
-------------------	--



Caliper Guides & Dust Cover Repair Kit

<b>OEM NUMBER</b>	
-------------------	--



Caliper Tappet Head Repair Kit

<b>OEM NUMBER</b>	MCK1065 / MCK1066
-------------------	-------------------

NR	OKKS NR	DESCRIPTION	DIMENSION	QTY
1	11034	CALIPER PIN	Ø 35 x102 MM	2
2	10009	PIN BOOT		2
3	11472	OVAL BUSH	Ø 35-36 x 39 / 30 MM	2
4	10008	TAPPET BOOT		2
5	10043	FIBER BUSH	Ø 35 x 39 / 77 MM	1

NR	OKKS NR	DESCRIPTION	DIMENSION	QTY
1	10043	FIBER BUSH	Ø 35 x 39 / 77 MM	1
2	10009	PIN BOOT		2
3	11472	OVAL BUSH	Ø 35-36 x 39 / 30 MM	2
4	10008	TAPPET BOOT		2

NR	OKKS NR	DESCRIPTION	DIMENSION	QTY
1	11034	CALIPER PIN	Ø 35 x102 MM	2
2	11155	PIN BOLT	Ø M20 x 2 / 125 MM	2
3	11154	PIN BOLT	Ø M20 x 2 / 80 MM	1
4	10009	PIN BOOT		2
5	11492	PIN CAP	Ø 40 / 18.5	2

NR	OKKS NR	DESCRIPTION	DIMENSION	QTY
1	11034	CALIPER PIN	Ø 35 x102 MM	1
2	10009	PIN BOOT		2
3	11492	PIN CAP	Ø 40 / 18.5	2







Caliper Adjusting Tappet Repair Kit Left

<b>OEM NUMBER</b>	MCK1236 / VOLVO: 3092262
-------------------	--------------------------

NR	OKKS NR	DESCRIPTION	DIMENSION	QTY
1	10008	TAPPET BOOT		2
2	11955	CLIPS		2
3	11307	TAPPET		2
4	11424	ADJUSTING MECHANISM	L	2
5	11530	SEAL		2
6	10044	FIBER BUSH	∅ 45 x 49 / 31 MM	2



Caliper Adjusting Tappet Repair Kit Right

<b>OEM NUMBER</b>	MCK1237/ MCK1239 VOLVO: 3092263 / 3095642
-------------------	--

NR	OKKS NR	DESCRIPTION	DIMENSION	QTY
1	10008	TAPPET BOOT		2
2	11955	CLIPS		2
3	11307	TAPPET		2
4	11423	ADJUSTING MECHANISM	R	2
5	11530	SEAL		2
6	10044	FIBER BUSH	∅ 45 x 49 / 31 MM	2



Caliper Adjusting Tappet Repair Kit Right Half Kit

<b>OEM NUMBER</b>	
-------------------	--

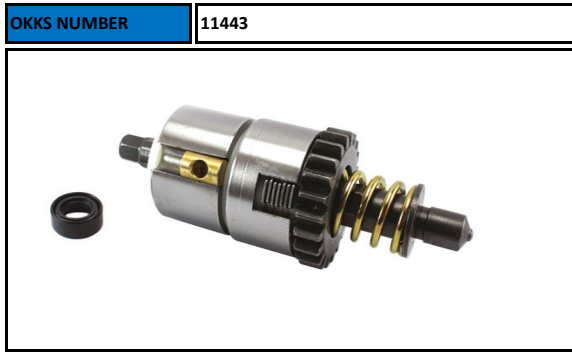
NR	OKKS NR	DESCRIPTION	DIMENSION	QTY
1	10008	TAPPET BOOT		1
2	11955	CLIPS		1
3	11307	TAPPET		1
4	11423	ADJUSTING MECHANISM	R	1
5	11530	SEAL		1
6	10044	FIBER BUSH	∅ 45 x 49 / 31 MM	1



Caliper Adjusting Tappet Repair Kit Left Half Kit

<b>OEM NUMBER</b>	
-------------------	--

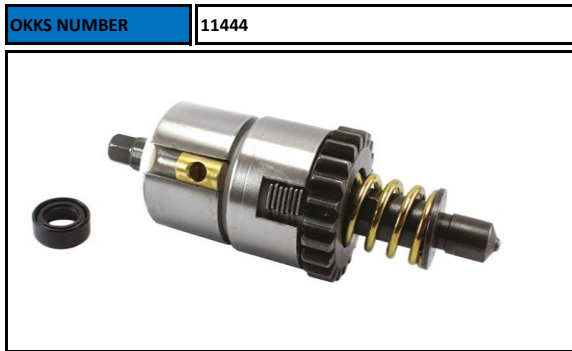
NR	OKKS NR	DESCRIPTION	DIMENSION	QTY
1	10008	TAPPET BOOT		1
2	11955	CLIPS		1
3	11307	TAPPET		1
4	11424	ADJUSTING MECHANISM	L	1
5	11530	SEAL		1
6	10044	FIBER BUSH	∅ 45 x 49 / 31 MM	1



Caliper Adjusting Mechanism Rear Left

<b>OEM NUMBER</b>	MCK1111 / SJ 4102 VOLVO: 85102095 / 3092265
-------------------	--

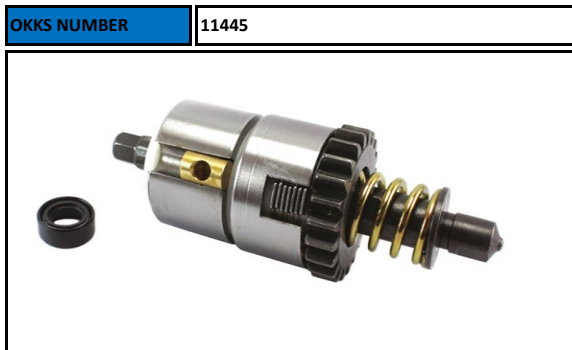
NR	OKKS NR	DESCRIPTION	DIMENSION	QTY



Caliper Adjusting Mechanism Rear Right

<b>OEM NUMBER</b>	MCK1112 / SJ 4103 / SJ 4110 VOLVO: 85102096 / 3092266
-------------------	--

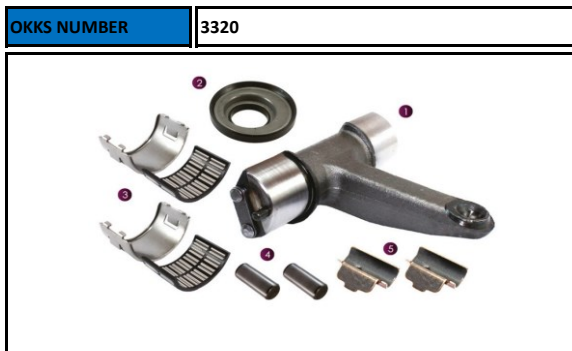
NR	OKKS NR	DESCRIPTION	DIMENSION	QTY



Caliper Adjusting Mechanism Front

<b>OEM NUMBER</b>	MCK1113 / VOLVO: 85102093
-------------------	---------------------------

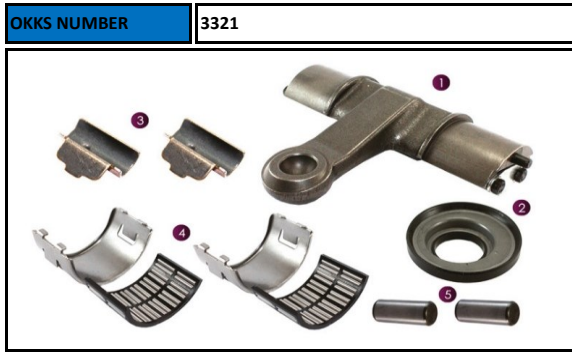
NR	OKKS NR	DESCRIPTION	DIMENSION	QTY



Caliper Lever, Seal & Bearings

<b>OEM NUMBER</b>	SJ4108
-------------------	--------

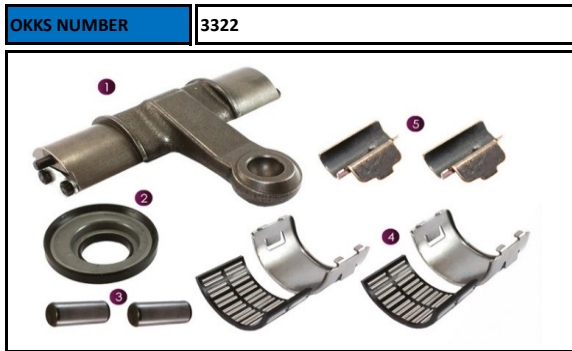
NR	OKKS NR	DESCRIPTION	DIMENSION	QTY
1	16079	CALIPER LEVER		1
2	10095	ACTUATOR SEAL		1
3	13488	NEEDLE BEARING		2
4	11543	ROLLER BEARING		2
5	11544	LEVER BEARING		2



Caliper Lever Right

<b>OEM NUMBER</b>	SJ4096 / MCK1398 / VOLVO: 3092258
-------------------	-----------------------------------

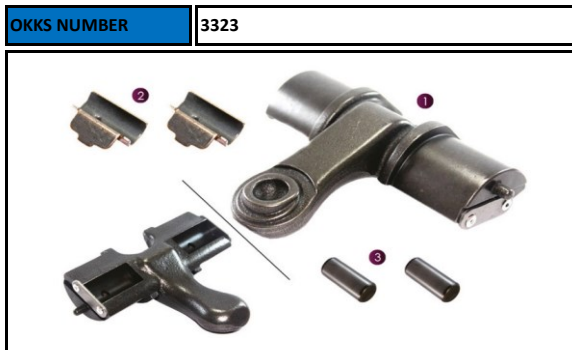
NR	OKKS NR	DESCRIPTION	DIMENSION	QTY
1	11383	CALIPER LEVER	RIGHT	1
2	10095	ACTUATOR SEAL		1
3	11544	LEVER BEARING		2
4	13488	NEEDLE BEARING		2
5	11543	ROLLER BEARING		2



Caliper Lever Left

<b>OEM NUMBER</b>	SJ4097 / MCK1399
-------------------	------------------

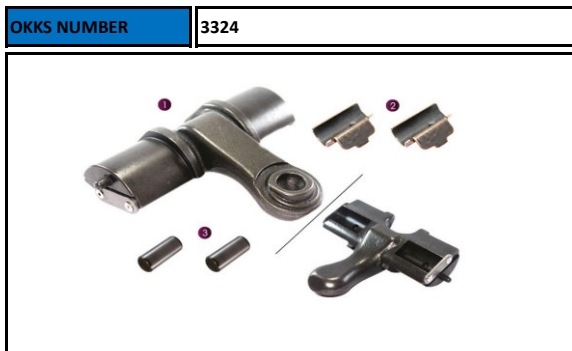
NR	OKKS NR	DESCRIPTION	DIMENSION	QTY
1	11382	CALIPER LEVER	LEFT	1
2	10095	ACTUATOR SEAL		1
3	11543	ROLLER BEARING		2
4	13488	NEEDLE BEARING		2
5	11544	LEVER BEARING		2



Caliper Lever Right

<b>OEM NUMBER</b>	
-------------------	--

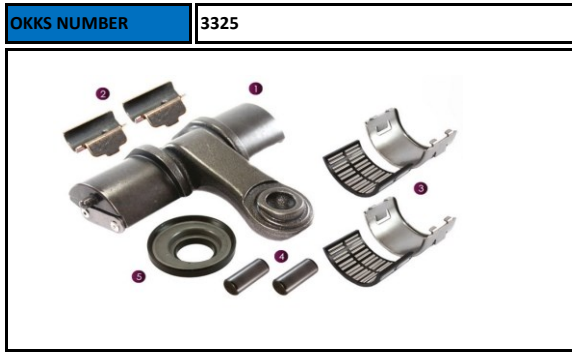
NR	OKKS NR	DESCRIPTION	DIMENSION	QTY
1	11396	CALIPER LEVER	RIGHT	1
2	11544	LEVER BEARING		2
3	11543	ROLLER BEARING		2



Caliper Lever Left

<b>OEM NUMBER</b>	
-------------------	--

NR	OKKS NR	DESCRIPTION	DIMENSION	QTY
1	11397	CALIPER LEVER	LEFT	1
2	11544	LEVER BEARING		2
3	11543	ROLLER BEARING		2



Caliper Lever Left

<b>OEM NUMBER</b>	<b>MCK1127 / VOLVO: 85102097 / 85109978</b>
-------------------	---

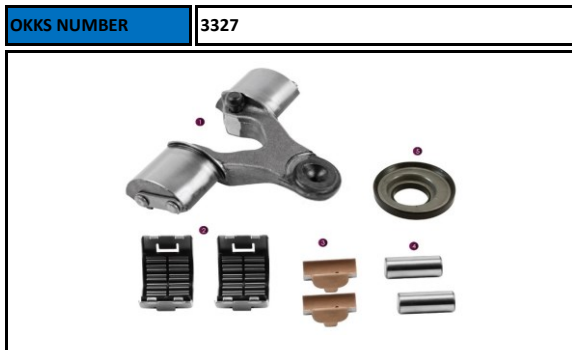
NR	OKKS NR	DESCRIPTION	DIMENSION	QTY
1	11396	CALIPER LEVER	L	1
2	11544	LEVER BEARING		2
3	13488	NEEDLE BEARING		2
4	11543	ROLLER BEARING		2
5	10095	ACTUATOR SEAL		1



Caliper Lever Right

<b>OEM NUMBER</b>	<b>MCK1128 / VOLVO: 85102098 / 85109979</b>
-------------------	---

NR	OKKS NR	DESCRIPTION	DIMENSION	QTY
1	11397	CALIPER LEVER	R	1
2	11544	LEVER BEARING		2
3	13488	NEEDLE BEARING		2
4	11543	ROLLER BEARING		2
5	10095	ACTUATOR SEAL		1



Caliper Lever

<b>OEM NUMBER</b>	<b>MCK1048</b>
-------------------	----------------

NR	OKKS NR	DESCRIPTION	DIMENSION	QTY
1	16469	CALIPER LEVER		1
2	13488	NEEDLE BEARING		2
3	11544	LEVER BEARING		2
4	11543	ROLLER BEARING		2
5	10095	ACTUATOR SEAL		1

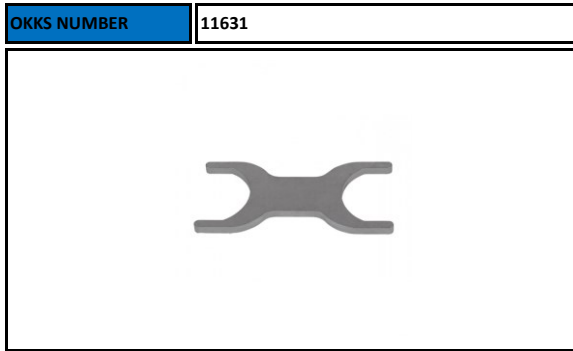


Caliper Gear & Springs Kit

<b>OEM NUMBER</b>	<b>MCK1129 / VOLVO: 85102099</b>
-------------------	----------------------------------

NR	OKKS NR	DESCRIPTION	DIMENSION	QTY
1	11734	INTERMEDIATE GEAR		1
2	11267	SPRING		1
3	11268	SPRING		1





Caliper Tappet Anti Rotation Plate

<b>OEM NUMBER</b>	68322900PK10
-------------------	--------------

NR	OKKS NR	DESCRIPTION	DIMENSION	QTY



Caliper Tappet Anti Rotation Plate

<b>OEM NUMBER</b>	68322485
-------------------	----------

NR	OKKS NR	DESCRIPTION	DIMENSION	QTY



Caliper Pad Retainer Repair Kit

<b>OEM NUMBER</b>	MCK1264 / VOLVO: 3092276 / 3092277
-------------------	------------------------------------

NR	OKKS NR	DESCRIPTION	DIMENSION	QTY



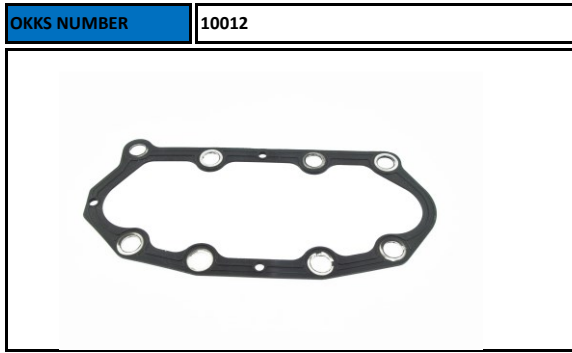
Caliper Pad Retainer Repair Kit

<b>OEM NUMBER</b>	MCK1263
-------------------	---------

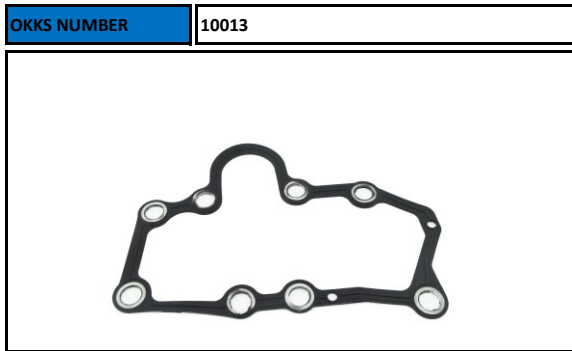
NR	OKKS NR	DESCRIPTION	DIMENSION	QTY



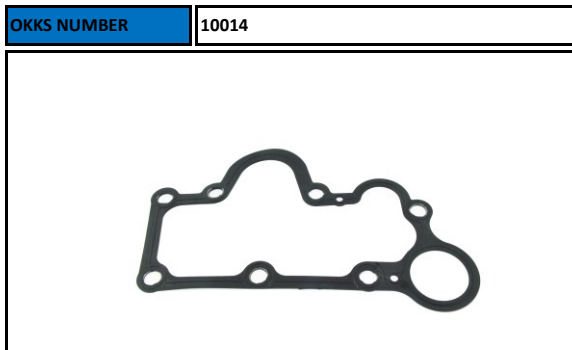




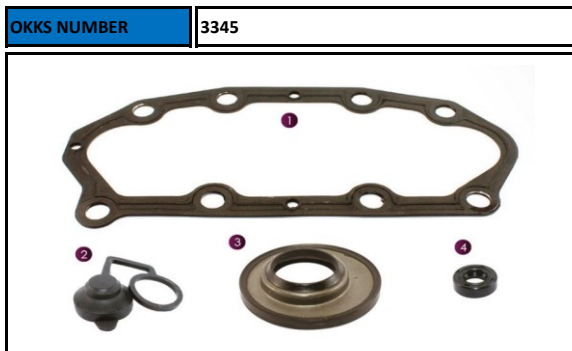
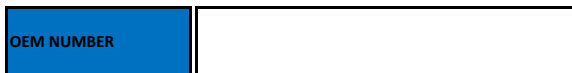
Caliper Cover Plate Gasket



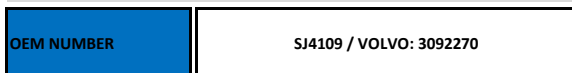
Caliper Cover Plate Gasket



Caliper Cover Plate Gasket



Caliper Cover Plate Gasket Repair Kit



NR	OKKS NR	DESCRIPTION	DIMENSION	QTY

NR	OKKS NR	DESCRIPTION	DIMENSION	QTY

NR	OKKS NR	DESCRIPTION	DIMENSION	QTY

NR	OKKS NR	DESCRIPTION	DIMENSION	QTY
1	10012	CALIPER GASKET		1
2	10019	RUBBER CAP		1
3	10095	ACTUATOR SEAL		1
4	10096	SHAFT SEAL		1



<b>OKKS NUMBER</b>	3350
Caliper Bearings Repair Kit	
<b>OEM NUMBER</b>	SJ4098 / VOLVO: 3092329

NR	OKKS NR	DESCRIPTION	DIMENSION	QTY
1	11287	NEEDLE BEARING		2
2	11543	ROLLER BEARING		2
3	11544	LEVER BEARING		2

<b>OKKS NUMBER</b>	3351
--------------------	------



Caliper Boots Repair Kit

<b>OEM NUMBER</b>	
-------------------	--

NR	OKKS NR	DESCRIPTION	DIMENSION	QTY
1	10026	PIN BOOT		2
2	10027	TAPPET BOOT		2

<b>OKKS NUMBER</b>	3352
--------------------	------



Caliper Guides & Seals Repair Kit

<b>OEM NUMBER</b>	
-------------------	--

NR	OKKS NR	DESCRIPTION	DIMENSION	QTY
1	10026	PIN BOOT		2
2	10029	TAPPET BOOT		2
3	11489	PIN CAP	Ø 37 / 25 MM	2
4	10094	COVER PLATE GASKET		1
5	10092	CALIPER DUST COVER		1
6	11003	CALIPER PIN	Ø 28 / 96-44 MM	1
7	11004	CALIPER PIN	Ø 28 / 96-64 MM	1
8	11119	PIN BOLT	Ø M14 x 1.5 / 50 MM	1
9	11120	PIN BOLT	Ø M14 x 1.5 / 70 MM	1
10	11113	END PLATE BOLT	Ø M10 x 1.5 / 25 MM	4
11	11112	END PLATE BOLT	Ø M10 x 1.5 / 20 MM	2
12	11104	COVER PLATE BOLT	Ø M8 x 1.25 / 16 MM	2

<b>OKKS NUMBER</b>	3353
--------------------	------



Caliper Guides & Seals Repair Kit

<b>OEM NUMBER</b>	MCK1170
-------------------	---------

NR	OKKS NR	DESCRIPTION	DIMENSION	QTY
1	10026	PIN BOOT		2
2	10027	TAPPET BOOT		2
3	11489	PIN CAP	Ø 37 / 25 MM	2
4	10094	COVER PLATE GASKET		1
5	11453	PIN BUSH	Ø 28 x 32 / 24.80 MM	4
6	11003	CALIPER PIN	Ø 28 / 96-44 MM	1
7	11004	CALIPER PIN	Ø 28 / 96-64 MM	1
8	11120	PIN BOLT	Ø M14 x 1.5 / 70 MM	1
9	11119	PIN BOLT	Ø M14 x 1.5 / 50 MM	1
10	11113	END PLATE BOLT	Ø M10 x 1.5 / 25 MM	4
11	11112	END PLATE BOLT	Ø M10 x 1.5 / 20 MM	2
12	11104	COVER PLATE BOLT	Ø M8 x 1.25 / 16 MM	2
13	11105	TAPPET BOLT	Ø M8 x 1.25 / 20 MM	2
14	11202	WASHER		1
15	11101	PLUG BOLT		1

<b>OKKS NUMBER</b>	3354
--------------------	------



Caliper Dust Boots & Bolts Repair Kit

<b>OEM NUMBER</b>	MCK1191
-------------------	---------

NR	OKKS NR	DESCRIPTION	DIMENSION	QTY
1	10026	PIN BOOT		2
2	10029	TAPPET BOOT		2
3	11489	PIN CAP	Ø 37 / 25 MM	2
4	11120	PIN BOLT	Ø M14 x 1.5 / 70 MM	1
5	11119	PIN BOLT	Ø M14 x 1.5 / 50 MM	1

<b>OKKS NUMBER</b>	3355
--------------------	------



Caliper Boots & Caps Repair Kit

<b>OEM NUMBER</b>	
-------------------	--

NR	OKKS NR	DESCRIPTION	DIMENSION	QTY
1	10026	PIN BOOT		2
2	10029	TAPPET BOOT		2
3	11489	PIN CAP	Ø 37 / 25 MM	2
4	11113	END PLATE BOLT	Ø M10 x 1.5 / 25 MM	4
5	11104	COVER PLATE BOLT	Ø M8 x 1.25 / 16 MM	2
6	11105	TAPPET BOLT	Ø M8 x 1.25 / 20 MM	2
7	11112	END PLATE BOLT	Ø M10 x 1.5 / 20 MM	2
8	11101	PLUG BOLT		1
9	11202	WASHER		1

<b>OKKS NUMBER</b>	3356
--------------------	------



Caliper Guides & Bolts Repair Kit

<b>OEM NUMBER</b>	
-------------------	--

NR	OKKS NR	DESCRIPTION	DIMENSION	QTY
1	11003	CALIPER PIN	Ø 28 / 96-44 MM	1
2	11004	CALIPER PIN	Ø 28 / 96-64 MM	1
3	11120	PIN BOLT	Ø M14 x 1.5 / 70 MM	1
4	11119	PIN BOLT	Ø M14 x 1.5 / 50 MM	1
5	11489	PIN CAP	Ø 37 / 25 MM	2
6	11453	PIN BUSH	Ø 28 x 32 / 24.80 MM	4

<b>OKKS NUMBER</b>	11623
--------------------	-------



Caliper Shaft

<b>OEM NUMBER</b>	
-------------------	--

NR	OKKS NR	DESCRIPTION	DIMENSION	QTY

<b>OKKS NUMBER</b>	3358
--------------------	------



Caliper Shaft Fittings Repair Kit

<b>OEM NUMBER</b>	
-------------------	--

NR	OKKS NR	DESCRIPTION	DIMENSION	QTY
1	11623	CALIPER ECCENTRIC SHAFT		1
2	11292	CALIPER NEEDLE BEARING		2



<b>OKKS NUMBER</b>	3362
--------------------	------



Caliper Bridge & Tubes Repair Kit Left

<b>OEM NUMBER</b>	
-------------------	--

NR	OKKS NR	DESCRIPTION	DIMENSION	QTY
1	11677	CALIPER SHAFT HOUSING	95 MM	1
2	11057	CALIPER PISTON	LEFT Ø 32 / 82 MM	2
3	11680	CALIPER PINION GEAR		2
4	11171	CALIBRATION BOLT	LEFT 80 MM	2
5	11678	CALIPER MECHANISM PIGNON		1
6	11679	MECHANISM CENTRAL FORK		1

<b>OKKS NUMBER</b>	3363
--------------------	------



Caliper Bridge & Tubes Repair Kit Right

<b>OEM NUMBER</b>	
-------------------	--

NR	OKKS NR	DESCRIPTION	DIMENSION	QTY
1	11677	CALIPER SHAFT HOUSING		1
2	11058	CALIPER PISTON	RIGHT Ø 32 / 82 MM	2
3	11680	CALIPER PINION GEAR		2
4	11172	CALIBRATION BOLT	RIGHT 80 MM	2
5	11678	CALIPER MECHANISM PIGNON		1
6	11679	MECHANISM CENTRAL FORK		1

<b>OKKS NUMBER</b>	3364
--------------------	------



Caliper Push Plate Repair Kit Left

<b>OEM NUMBER</b>	
-------------------	--

NR	OKKS NR	DESCRIPTION	DIMENSION	QTY
1	11681	PLATE	LEFT 95 MM	1
2	11171	CALIPER CALIBRATION BOLT	LEFT 80 MM	2
3	11103	TAPPET BOLT	Ø M8 x1.25/20 MM	2

<b>OKKS NUMBER</b>	3365
--------------------	------



Caliper Push Plate Repair Kit Right

<b>OEM NUMBER</b>	
-------------------	--

NR	OKKS NR	DESCRIPTION	DIMENSION	QTY
1	11682	PLATE	RIGHT 95 MM	1
2	11172	CALIPER CALIBRATION BOLT	RIGHT 80 MM	2
3	11103	TAPPET BOLT	Ø M8 x1.25/20 MM	2

<b>OKKS NUMBER</b>	3366
--------------------	------



Caliper Adjusting Mechanism Minor Repair Kit Left

<b>OEM NUMBER</b>	
-------------------	--

NR	OKKS NR	DESCRIPTION	DIMENSION	QTY
1	11441	ADJUSTING MECHANISM	LEFT 95 MM	1
2	11204	PIGNON		1
3	11324	SPRING		1
4	11320	WAVY WASHER		2
5	11310	CLIPS		2
6	10079	SEAL		2

<b>OKKS NUMBER</b>	3367
--------------------	------



Caliper Adjusting Mechanism Minor Repair Kit Right

<b>OEM NUMBER</b>	
-------------------	--

NR	OKKS NR	DESCRIPTION	DIMENSION	QTY
1	11442	ADJUSTING MECHANISM	RIGHT 95 MM	1
2	11204	PIGNON		1
3	11324	SPRING		1
4	11320	WAVY WASHER		2
5	11310	CLIPS		2
6	10079	SEAL		2

<b>OKKS NUMBER</b>	3368
--------------------	------

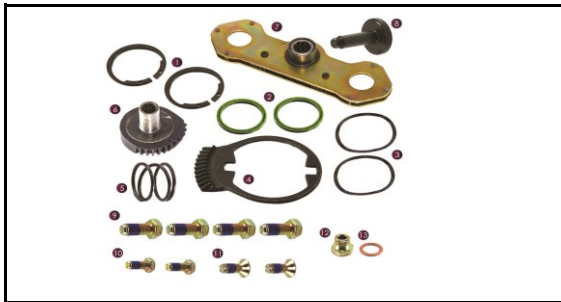


Caliper Adjusting Mechanism Major Repair Kit Left

<b>OEM NUMBER</b>	
-------------------	--

NR	OKKS NR	DESCRIPTION	DIMENSION	QTY
1	11310	CLIPS		2
2	10079	SEAL		2
3	11320	WAVY WASHER		2
4	11679	MECHANISM CENTRAL FORK		1
5	11324	SPRING		1
6	11678	CALIPER MECHANISM PIGNON		1
7	11441	ADJUSTING MECHANISM	LEFT 95 MM	1
8	11204	PIGNON		1
9	11113	BOLT	Ø M10 x 1.5 / 25 MM	4
10	11105	BOLT	Ø M8 x 1.25 / 20 MM	2
11	11112	BOLT	Ø M10 x 1.5 / 20 MM	2
12	11101	PLUG BOLT		1
13	11202	WASHER	Ø 19 / Ø 13 MM	1

<b>OKKS NUMBER</b>	3369
--------------------	------



Caliper Adjusting Mechanism Major Repair Kit Right

<b>OEM NUMBER</b>	
-------------------	--

NR	OKKS NR	DESCRIPTION	DIMENSION	QTY
1	11310	CLIPS		2
2	10079	SEAL		2
3	11320	WAVY WASHER		2
4	11679	MECHANISM CENTRAL FORK		1
5	11324	SPRING		1
6	11678	CALIPER MECHANISM PIGNON		1
7	11441	ADJUSTING MECHANISM	LEFT 95 MM	1
8	11204	PIGNON		1
9	11113	BOLT	Ø M10 x 1.5 / 25 MM	4
10	11105	BOLT	Ø M8 x 1.25 / 20 MM	2
11	11112	BOLT	Ø M10 x 1.5 / 20 MM	2
12	11101	PLUG BOLT		1
13	11202	WASHER	Ø 19 / Ø 13 MM	1



<b>OKKS NUMBER</b>	3370
--------------------	------



Caliper Shaft Fittings Repair Kit

<b>OEM NUMBER</b>	MCK1153
-------------------	---------

NR	OKKS NR	DESCRIPTION	DIMENSION	QTY
1	11683	CALIPER PAD RETAINER		1
2	10094	COVER GASKET		1
3	11758	PIN		1
4	11759	PIN LOCKER		1
5	11105	COVER BOLT	M8 x 1,25 x 20 MM	2
6	11202	WASHER		1
7	11101	PLUG BOLT		1
8	11205	BOLT WITH NUT	M8 x 1.25 / 60 mm	1

<b>OKKS NUMBER</b>	3371
--------------------	------

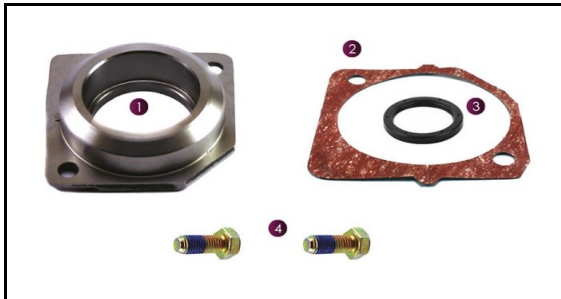


Caliper Shaft Fittings Repair Kit

<b>OEM NUMBER</b>	MCK1167 / MCK1295
-------------------	-------------------

NR	OKKS NR	DESCRIPTION	DIMENSION	QTY
1	11676	CALIPER COVER PLATE		1
2	10094	COVER PLATE GASKET		1
3	10093	COVER PLATE SEAL		1
4	11202	WASHER		1
5	11105	COVER BOLT	M8 x 1,25 x 20 MM	2
6	11101	PLUG BOLT		1
7	11623	CALIPER ECCENTRIC SHAFT		1
8	10092	CALIPER DUST COVER		1
9	11294	ROLLER BEARING		1

<b>OKKS NUMBER</b>	3372
--------------------	------



Caliper Shaft Fittings Repair Kit

<b>OEM NUMBER</b>	
-------------------	--

NR	OKKS NR	DESCRIPTION	DIMENSION	QTY
1	11676	CALIPER COVER PLATE		1
2	10094	COVER PLATE GASKET		1
3	10093	COVER PLATE SEAL		1
4	11105	COVER BOLT	M8 x 1,25 x 20 MM	2

<b>OKKS NUMBER</b>	3373
--------------------	------

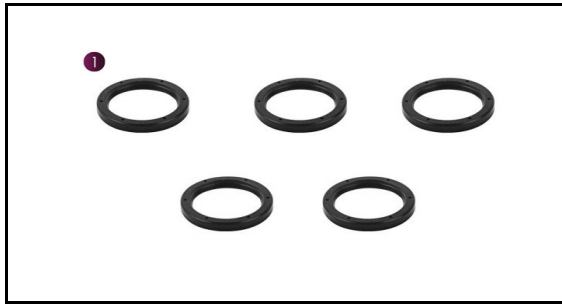


Caliper Dust Cover

<b>OEM NUMBER</b>	
-------------------	--

NR	OKKS NR	DESCRIPTION	DIMENSION	QTY
1	10092	CALIPER DUST COVER		5

<b>OKKS NUMBER</b>	3374
--------------------	------



Caliper Shaft Seal Set

<b>OEM NUMBER</b>	
-------------------	--

NR	OKKS NR	DESCRIPTION	DIMENSION	QTY
1	10093	CALIPER SHAFT SEAL SET		1

<b>OKKS NUMBER</b>	3375
--------------------	------



Caliper Bridge & Tubes Repair Kit Left

<b>OEM NUMBER</b>	
-------------------	--

NR	OKKS NR	DESCRIPTION	DIMENSION	QTY
1	11677	CALIPER SHAFT HOUSING	95 MM	1
2	11057	CALIPER PISTON	LEFT Ø 32 / 82 MM	2
3	11680	CALIPER PINION GEAR		2
4	11171	CALIBRATION BOLT	LEFT 80 MM	2
5	11678	CALIPER MECHANISM PIGNON		1
6	11679	MECHANISM CENTRAL FORK		1
7	11681	PLATE	LEFT 95 MM	1
8	11103	TAPPET BOLT	Ø M8 x1.25/20 MM	2

<b>OKKS NUMBER</b>	3376
--------------------	------



Caliper Bridge & Tubes Repair Kit Right

<b>OEM NUMBER</b>	
-------------------	--

NR	OKKS NR	DESCRIPTION	DIMENSION	QTY
1	11677	CALIPER SHAFT HOUSING		1
2	11058	CALIPER PISTON	RIGHT Ø 32 / 82 MM	2
3	11680	CALIPER PINION GEAR		2
4	11172	CALIBRATION BOLT	RIGHT 80 MM	2
5	11678	CALIPER MECHANISM PIGNON		1
6	11679	MECHANISM CENTRAL FORK		1
7	11682	PLATE	RIGHT 95 MM	1
8	11103	TAPPET BOLT	Ø M8 x1.25/20 MM	2

<b>OKKS NUMBER</b>	3377
--------------------	------



Caliper Adjuster Sleeve & Thrust Plate Repair Kit Left

<b>OEM NUMBER</b>	
-------------------	--

NR	OKKS NR	DESCRIPTION	DIMENSION	QTY
1	11677	CALIPER SHAFT HOUSING	95 MM	1
2	11057	CALIPER PISTON	LEFT Ø 32 / 82 MM	2
3	11680	CALIPER PINION GEAR		2
4	11171	CALIBRATION BOLT	LEFT 80 MM	2
5	11103	TAPPET BOLT	Ø M8 x1.25/20 MM	2
6	10027	TAPPET BOOT		2
7	11488	PIN CAP	Ø 37 / 15 mm	2
8	11681	PLATE	LEFT 95 MM	1
9	11320	WAVY WASHER		2
10	11310	CLIPS		1



<b>OKKS NUMBER</b>	3382
--------------------	------



Caliper Pistons & Pignons Repair Kit Left

<b>OEM NUMBER</b>	
-------------------	--

NR	OKKS NR	DESCRIPTION	DIMENSION	QTY
1	11057	CALIPER PISTON	LEFT Ø 32 / 82 MM	2
2	11680	CALIPER PINION GEAR		2
3	11171	CALIBRATION BOLT	LEFT 80 MM	2

<b>OKKS NUMBER</b>	3383
--------------------	------



Caliper Pistons & Pignons Repair Kit Right

<b>OEM NUMBER</b>	
-------------------	--

NR	OKKS NR	DESCRIPTION	DIMENSION	QTY
1	11058	CALIPER PISTON	RIGHT Ø 32 / 82 MM	2
2	11680	CALIPER PINION GEAR		2
3	11172	CALIBRATION BOLT	RIGHT 80 MM	2

<b>OKKS NUMBER</b>	3384
--------------------	------



Caliper Central Fork & Pignon

<b>OEM NUMBER</b>	
-------------------	--

NR	OKKS NR	DESCRIPTION	DIMENSION	QTY
1	11679	MECHANISM CENTRAL FORK		1
2	11678	CALIPER MECHANISM PIGNON		1

<b>OKKS NUMBER</b>	11683
--------------------	-------

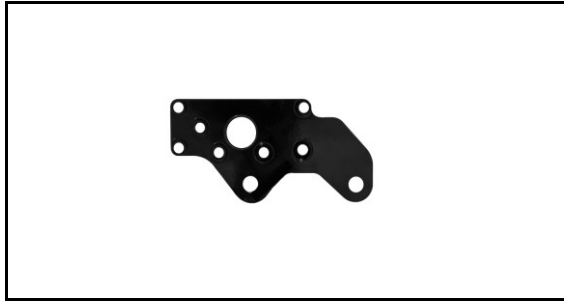


Caliper Pad Retainer

<b>OEM NUMBER</b>	
-------------------	--

NR	OKKS NR	DESCRIPTION	DIMENSION	QTY

<b>OKKS NUMBER</b>	11760
--------------------	-------

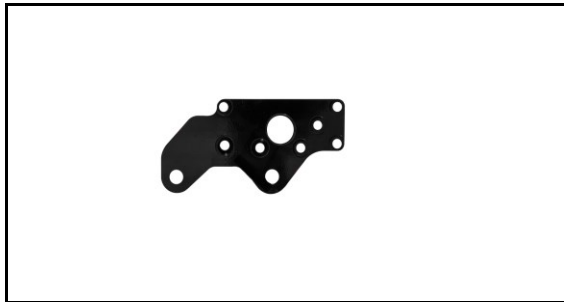


Caliper Top Cover Left

<b>OEM NUMBER</b>	
-------------------	--

NR	OKKS NR	DESCRIPTION	DIMENSION	QTY

<b>OKKS NUMBER</b>	11761
--------------------	-------



Caliper Top Cover Right

<b>OEM NUMBER</b>	
-------------------	--

NR	OKKS NR	DESCRIPTION	DIMENSION	QTY

<b>OKKS NUMBER</b>	3401
--------------------	------

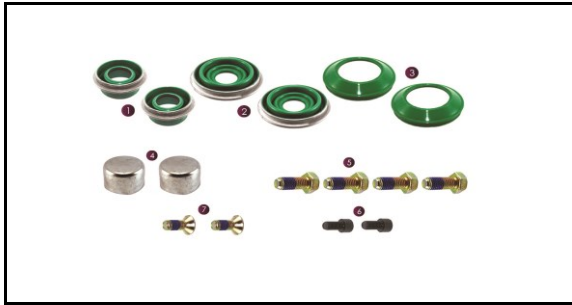


Caliper Boots , Caps & Bolts Repair Kit

<b>OEM NUMBER</b>	MCK1192 / DAF: 1489991 / SCANIA: 1034001 VOLVO: 85102099 / RENAULT: 5021 170 886
-------------------	---

NR	OKKS NR	DESCRIPTION	DIMENSION	QTY
1	10026	PIN BOOT		2
2	10027	TAPPET BOOT		2
3	10028	TAPPET BOOT SEAL		2
4	11499	PIN CAP	Ø 42 / 28 mm	2
5	11129	PIN BOLT	Ø M16 x 1.5 / 80 MM	1
6	11126	PIN BOLT	Ø M16 x 1.5 / 55 MM	1

<b>OKKS NUMBER</b>	3402
--------------------	------



Caliper Boots , Caps & Bolts Repair Kit

<b>OEM NUMBER</b>	
-------------------	--

NR	OKKS NR	DESCRIPTION	DIMENSION	QTY
1	10026	PIN BOOT		2
2	10027	TAPPET BOOT		2
3	10028	TAPPET BOOT SEAL		2
4	11499	PIN CAP	Ø 42 / 28 mm	2
5	11117	END PLATE BOLT	M12 x 1.75 / 30 mm	4
6	11111	TAPPET BOLT	M10 x 1.5 / 20 mm	2
7	11116	END PLATE BOLT	M12 x 1.75 / 20 mm	2


<b>OKKS NUMBER</b>	3403
--------------------	------




Caliper Boots Repair Kit

<b>OEM NUMBER</b>	
-------------------	--


NR	OKKS NR	DESCRIPTION	DIMENSION	QTY
1	10026	PIN BOOT		2
2	10027	TAPPET BOOT		2
3	10028	TAPPET BOOT SEAL		2

<b>OKKS NUMBER</b>	3405
	
Caliper Complete Repair Kit	
<b>OEM NUMBER</b>	MCK1171 / DAF: 1489989 / RENAULT: 5021170885


NR	OKKS NR	DESCRIPTION	DIMENSION	QTY
1	3401	CALIPER BOOTS & CAP, BOLTS KIT		1
2	11021	CALIPER PIN	Ø 32 / 97-37 mm	1
3	11022	CALIPER PIN	Ø 32 / 97-62 mm	1
4	11462	PIN BUSH	Ø 32 x 36/55 MM	2
5	10094	COVER PLATE GASKET		1
6	11101	PLUG BOLT		1
7	11202	WASHER		1
8	10092	DUST COVER		1
9	11117	END PLATE BOLT	M12 x 1.75 / 30 mm	4
10	11116	END PLATE BOLT	M12 x 1.75 / 20 mm	2
11	11105	TAPPET BOLT	Ø M8 x 1.25 / 20 MM	2
12	11104	COVER PLATE BOLT	Ø M8 x 1.25 / 16 MM	2

<b>OKKS NUMBER</b>	3406
	
Caliper Guides & Caps Repair Kit	
<b>OEM NUMBER</b>	MCK1171/N

NR	OKKS NR	DESCRIPTION	DIMENSION	QTY
1	11499	PIN CAP	Ø 42 / 28 mm	2
2	11462	PIN BUSH	Ø 32 x 36/55 MM	2
3	11129	PIN BOLT	Ø M16 x 1.5 / 80 MM	1
4	11126	PIN BOLT	Ø M16 x 1.5 / 55 MM	1
5	11021	CALIPER PIN	Ø 32 / 97-37 mm	2
6	11022	CALIPER PIN	Ø 32 / 97-62 mm	2

<b>OKKS NUMBER</b>	11624
	
Caliper Shaft	
<b>OEM NUMBER</b>	

NR	OKKS NR	DESCRIPTION	DIMENSION	QTY

<b>OKKS NUMBER</b>	3411
	
Caliper Shaft	
<b>OEM NUMBER</b>	

NR	OKKS NR	DESCRIPTION	DIMENSION	QTY
1	11624	CALIPER SHAFT		1
2	11325	SHAFT ROLLER BEARING		1

<b>OKKS NUMBER</b>	11325
--------------------	-------



Caliper Roller Bearings

<b>OEM NUMBER</b>	
-------------------	--

<b>OKKS NUMBER</b>	11293
--------------------	-------



Caliper Roller Bearings

<b>OEM NUMBER</b>	
-------------------	--

<b>OKKS NUMBER</b>	3414
--------------------	------



Caliper Roller Bearings Kit

<b>OEM NUMBER</b>	
-------------------	--

<b>OKKS NUMBER</b>	3415
--------------------	------



Caliper Shaft Fittings Repair Kit

<b>OEM NUMBER</b>	
-------------------	--

NR	OKKS NR	DESCRIPTION	DIMENSION	QTY

NR	OKKS NR	DESCRIPTION	DIMENSION	QTY

NR	OKKS NR	DESCRIPTION	DIMENSION	QTY
1	11293	CALIPER NEEDLE BEARING	52 MM	2
2	11325	SHAFT HOUSING BEARING		1

NR	OKKS NR	DESCRIPTION	DIMENSION	QTY
1	11624	CALIPER ECCENTRIC SHAFT		1
2	11293	CALIPER NEEDLE BEARING	52 MM	2
3	11325	SHAFT HOUSING BEARING		1



<b>OKKS NUMBER</b>	3416
--------------------	------



Caliper Shaft Fittings Repair Kit

<b>OEM NUMBER</b>	
-------------------	--

<b>OKKS NUMBER</b>	3417
--------------------	------



Caliper Roller Bearings Kit

<b>OEM NUMBER</b>	MCK1344
-------------------	---------

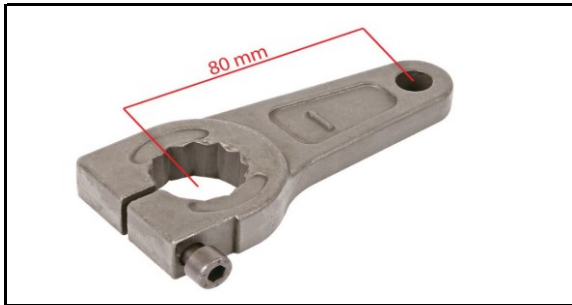
<b>OKKS NUMBER</b>	3418
--------------------	------



Caliper Roller Bearings Kit

<b>OEM NUMBER</b>	
-------------------	--

<b>OKKS NUMBER</b>	11773
--------------------	-------



Caliper Lever Kit

<b>OEM NUMBER</b>	MCK1160 / MCK1175 MAN: N2509990221 / DAF: 1675768 RENAULT: 5021 139 150 / 5021 170 882
-------------------	--

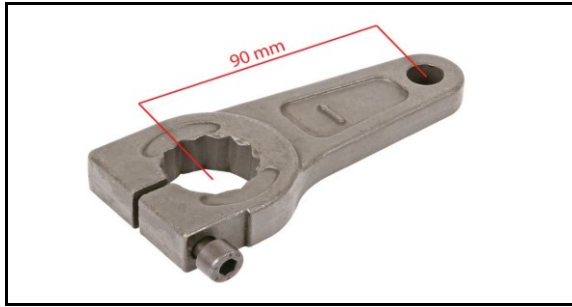
NR	OKKS NR	DESCRIPTION	DIMENSION	QTY
1	11624	CALIPER ECCENTRIC SHAFT		1
2	11293	CALIPER NEEDLE BEARING		2
3	10105	SHAFT SEAL		1

NR	OKKS NR	DESCRIPTION	DIMENSION	QTY
1	11293	CALIPER NEEDLE BEARING		2
2	11325	CALIPER SHAFT HOUSING BEARING		1
3	11545	SHAFT HOUSING BEARING SLEEVE		1

NR	OKKS NR	DESCRIPTION	DIMENSION	QTY
1	11293	CALIPER NEEDLE BEARING		2

NR	OKKS NR	DESCRIPTION	DIMENSION	QTY
----	---------	-------------	-----------	-----

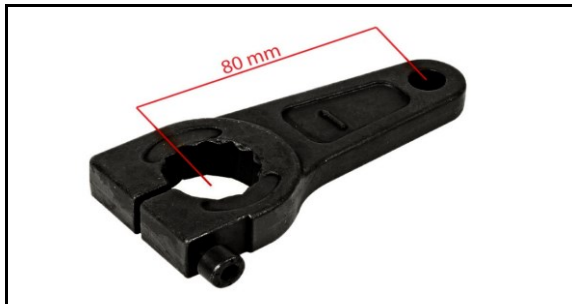
<b>OKKS NUMBER</b>	11774
--------------------	-------



Caliper Lever Kit

<b>OEM NUMBER</b>	MCK1161 / MAN: N2509990223 / DAF: 1675766 RENAULT: 5021 139 151 / 5021 170 883
-------------------	---

<b>OKKS NUMBER</b>	11775
--------------------	-------



Caliper Lever Kit

<b>OEM NUMBER</b>	MCK1158
-------------------	---------

<b>OKKS NUMBER</b>	3422
--------------------	------



Caliper Bridge & Tubes Repair Kit Left

<b>OEM NUMBER</b>	DSB6L
-------------------	-------

<b>OKKS NUMBER</b>	3423
--------------------	------



Caliper Bridge & Tubes Repair Kit Right

<b>OEM NUMBER</b>	DSL6R
-------------------	-------

NR	OKKS NR	DESCRIPTION	DIMENSION	QTY

NR	OKKS NR	DESCRIPTION	DIMENSION	QTY

NR	OKKS NR	DESCRIPTION	DIMENSION	QTY
1	11762	CALIPER SHAFT HOUSING	112,50 MM	1
2	11059	PISTON	LEFT 98 MM	2
3	11766	PIGNON GEAR	35 MM	2
4	11173	CALIBRATION BOLT	LEFT 98 MM	2
5	11765	MECHANISM CENTRAL FORK	64 MM	1
6	11767	MECHANISM PIGNON		1

NR	OKKS NR	DESCRIPTION	DIMENSION	QTY
1	11762	CALIPER SHAFT HOUSING	112,50 MM	1
2	11060	PISTON	RIGHT 98 MM	2
3	11766	PIGNON GEAR	35 MM	2
4	11174	CALIBRATION BOLT	RIGHT 98 MM	2
5	11765	MECHANISM CENTRAL FORK	64 MM	1
6	11767	MECHANISM PIGNON		1

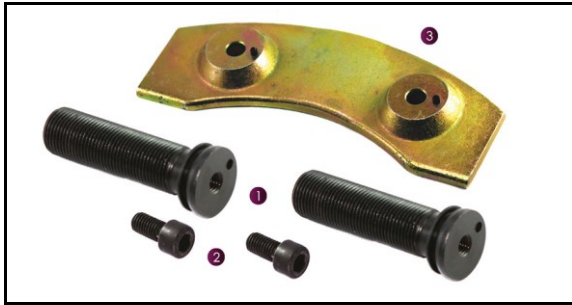
<b>OKKS NUMBER</b>	3424
--------------------	------



Caliper Push Plate Repair Kit Left

<b>OEM NUMBER</b>	
-------------------	--

<b>OKKS NUMBER</b>	3425
--------------------	------



Caliper Push Plate Repair Kit Right

<b>OEM NUMBER</b>	
-------------------	--

<b>OKKS NUMBER</b>	3426
--------------------	------



Caliper Adjusting Mechanism Minor Repair Kit Left

<b>OEM NUMBER</b>	DSL5L.FRUEHAUF.CF104620
-------------------	-------------------------

<b>OKKS NUMBER</b>	3427
--------------------	------



Caliper Adjusting Mechanism Minor Repair Kit Right

<b>OEM NUMBER</b>	DSL5R .FRUEHAUF CF104619
-------------------	--------------------------

NR	OKKS NR	DESCRIPTION	DIMENSION	QTY
1	11173	CALIPER CALIBRATION BOLT	LEFT 98 MM	2
2	11111	TAPPET BOLT	Ø M10 x1.5/20 MM	2
3	11763	PLATE	LEFT 112,50 MM	1

NR	OKKS NR	DESCRIPTION	DIMENSION	QTY
1	11174	CALIPER CALIBRATION BOLT	RIGHT 98 MM	2
2	11111	TAPPET BOLT	Ø M10 x1.5/20 MM	2
3	11764	PLATE	RIGHT 112,50 MM	1

NR	OKKS NR	DESCRIPTION	DIMENSION	QTY
1	11425	ADJUSTING MECHANISM	LEFT 112,50 MM	1
2	11204	PIGNON		1
3	11324	SPRING		1
4	11326	WAVY WASHER		2
5	11327	CLIPS		2
6	10079	SEAL		2

NR	OKKS NR	DESCRIPTION	DIMENSION	QTY
1	11426	ADJUSTING MECHANISM	RIGHT 112,50 MM	1
2	11204	PIGNON		1
3	11324	SPRING		1
4	11326	WAVY WASHER		2
5	11327	CLIPS		2
6	10079	SEAL		2

<b>OKKS NUMBER</b>	3428
--------------------	------



Caliper Adjusting Mechanism Major Repair Kit Left

<b>OEM NUMBER</b>	MCK1290
-------------------	---------

<b>OKKS NUMBER</b>	3429
--------------------	------



Caliper Adjusting Mechanism Major Repair Kit Right

<b>OEM NUMBER</b>	MCK1291 / DAF: 876051
-------------------	-----------------------

<b>OKKS NUMBER</b>	3430
--------------------	------



Caliper Shaft Fittings Repair Kit

<b>OEM NUMBER</b>	
-------------------	--

<b>OKKS NUMBER</b>	3431
--------------------	------



Caliper Shaft Fittings Repair Kit

<b>OEM NUMBER</b>	MCK1294 / MCK1168 / MCK1169 IVECO: 2995922 / DAF: 1689883 RENAULT: 5021 202 850
-------------------	---

NR	OKKS NR	DESCRIPTION	DIMENSION	QTY
1	11425	ADJUSTING MECHANISM	LEFT 112,50 MM	1
2	11204	PIGNON		1
3	11324	SPRING		1
4	11326	WAVY WASHER		2
5	11327	CLIPS		2
6	10079	SEAL		2
7	11765	MECHANISM CENTRAL FORK	64 MM	1
8	11767	MECHANISM PIGNON		1

NR	OKKS NR	DESCRIPTION	DIMENSION	QTY
1	11426	ADJUSTING MECHANISM	RIGHT 112,50 MM	1
2	11204	PIGNON		1
3	11324	SPRING		1
4	11326	WAVY WASHER		2
5	11327	CLIPS		2
6	10079	SEAL		2
7	11765	MECHANISM CENTRAL FORK	64 MM	1
8	11767	MECHANISM PIGNON		1

NR	OKKS NR	DESCRIPTION	DIMENSION	QTY
1	11777	COVER PLATE		1
2	10106	COVER PLATE GASKET		1
3	11202	WASHER	Ø 19 / Ø 13 MM	1
4	11105	BOLT	Ø M8 x 1.25 / 20 MM	2
5	11101	PLUG BOLT		1
6	11624	ECCENTRIC SHAFT		1
7	15107	SHAFT SEAL		1
8	11325	ROLLER BEARING		1

NR	OKKS NR	DESCRIPTION	DIMENSION	QTY
1	11777	COVER PLATE		1
2	10106	COVER PLATE GASKET		1
3	11202	WASHER	Ø 19 / Ø 13 MM	1
4	11105	BOLT	Ø M8 x 1.25 / 20 MM	2
5	11101	PLUG BOLT		1
6	11624	ECCENTRIC SHAFT		1
7	10092	CALIPER DUST COVER		1
8	11325	ROLLER BEARING		1

<b>OKKS NUMBER</b>	3432
--------------------	------



Caliper Shaft Fittings Repair Kit

<b>OEM NUMBER</b>	MCK1154
-------------------	---------

<b>OKKS NUMBER</b>	3433
--------------------	------



Caliper Dust Cover

<b>OEM NUMBER</b>	
-------------------	--

<b>OKKS NUMBER</b>	3434
--------------------	------



Caliper Adjuster Sleeve & Thrust Plate Repair Kit Left

<b>OEM NUMBER</b>	MCK1292 / DAF: 876052
-------------------	-----------------------

<b>OKKS NUMBER</b>	3435
--------------------	------



Caliper Adjuster Sleeve & Thrust Plate Repair Kit Right

<b>OEM NUMBER</b>	MCK1293 / DAF: 876053
-------------------	-----------------------

NR	OKKS NR	DESCRIPTION	DIMENSION	QTY
1	11776	CALIPER PAD RETAINER		1
2	10106	COVER GASKET		1
3	11758	PIN		1
4	11759	PIN LOCKER		1
5	11105	COVER BOLT	M8 x 1,25 x 20 MM	2
6	11101	PLUG BOLT		1
7	11202	WASHER		1
8	11205	BOLT WITH NUT	M8 x 1.25 / 60 mm	1

NR	OKKS NR	DESCRIPTION	DIMENSION	QTY
1	10107	CALIPER DUST COVER		5

NR	OKKS NR	DESCRIPTION	DIMENSION	QTY
1	11762	CALIPER SHAFT HOUSING	112,50 MM	1
2	11059	PISTON	LEFT 98 MM	2
3	11766	PIGNON GEAR	35 MM	2
4	11173	CALIBRATION BOLT	LEFT 98 MM	2
5	11765	MECHANISM CENTRAL FORK	64 MM	1
6	11767	MECHANISM PIGNON		1
7	11111	TAPPET BOLT	Ø M10 x1.5/20 MM	2
8	11763	PLATE	LEFT 112,50 MM	1

NR	OKKS NR	DESCRIPTION	DIMENSION	QTY
1	11762	CALIPER SHAFT HOUSING	112,50 MM	1
2	11060	PISTON	RIGHT 98 MM	2
3	11766	PIGNON GEAR	35 MM	2
4	11174	CALIBRATION BOLT	RIGHT 98 MM	2
5	11765	MECHANISM CENTRAL FORK	64 MM	1
6	11767	MECHANISM PIGNON		1
7	11111	TAPPET BOLT	Ø M10 x1.5/20 MM	2
8	11764	PLATE	LEFT 112,50 MM	1

<b>OKKS NUMBER</b>	11762
--------------------	-------



Caliper Bridge & Inner Bearing

<b>OEM NUMBER</b>	MCK1292
-------------------	---------

<b>OKKS NUMBER</b>	3437
--------------------	------



Caliper Pistons & Pignons Repair Kit Left

<b>OEM NUMBER</b>	
-------------------	--

<b>OKKS NUMBER</b>	3438
--------------------	------



Caliper Pistons & Pignons Repair Kit Right

<b>OEM NUMBER</b>	
-------------------	--

<b>OKKS NUMBER</b>	3439
--------------------	------



Caliper Pistons & Pignons Repair Kit Left

<b>OEM NUMBER</b>	
-------------------	--

NR	OKKS NR	DESCRIPTION	DIMENSION	QTY
----	---------	-------------	-----------	-----


NR	OKKS NR	DESCRIPTION	DIMENSION	QTY
----	---------	-------------	-----------	-----

1	11059	PISTON	LEFT 98 MM	2
2	11766	PIGNON GEAR	35 MM	2

NR	OKKS NR	DESCRIPTION	DIMENSION	QTY
----	---------	-------------	-----------	-----

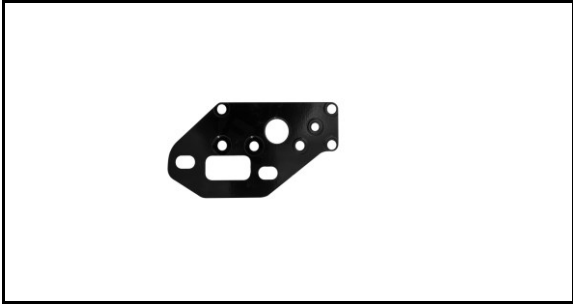
1	11060	PISTON	RIGHT 98 MM	2
2	11766	PIGNON GEAR	35 MM	2

NR	OKKS NR	DESCRIPTION	DIMENSION	QTY
----	---------	-------------	-----------	-----

1	11059	PISTON	LEFT 98 MM	2
2	11173	CALIBRATION BOLT	LEFT 98 MM	2
3	11766	PIGNON GEAR	35 MM	2



<b>OKKS NUMBER</b>	11779
--------------------	-------



Caliper Top Cover Right

<b>OEM NUMBER</b>	
-------------------	--

<b>NR</b>	<b>OKKS NR</b>	<b>DESCRIPTION</b>	<b>DIMENSION</b>	<b>QTY</b>
-----------	----------------	--------------------	------------------	------------



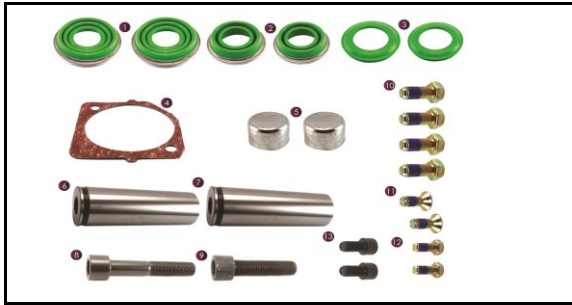

<b>OKKS NUMBER</b>	3501
--------------------	------



Caliper Boots Repair Kit

<b>OEM NUMBER</b>	
-------------------	--

<b>OKKS NUMBER</b>	3502
--------------------	------



Caliper Guides & Seals Repair Kit

<b>OEM NUMBER</b>	
-------------------	--

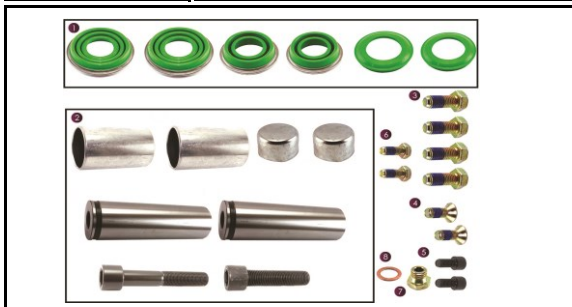
<b>OKKS NUMBER</b>	3503
--------------------	------



Caliper Pin Repair Kit

<b>OEM NUMBER</b>	
-------------------	--

<b>OKKS NUMBER</b>	3504
--------------------	------



Caliper Guides & Seals Repair Kit

<b>OEM NUMBER</b>	MCK1172
-------------------	---------

NR	OKKS NR	DESCRIPTION	DIMENSION	QTY
1	10029	PIN BOOT		2
2	10030	TAPPET BOOT		2
3	10031	TAPPET BOOT SEAL		2

NR	OKKS NR	DESCRIPTION	DIMENSION	QTY
1	10030	TAPPET BOOT		2
2	10029	PIN BOOT		2
3	10031	TAPPET BOOT SEAL		2
4	10106	COVER PLATE GASKET		1
5	11500	PIN CAP	Ø 42 / 31 mm	2
6	11061	CALIPER PIN	Ø 35 / 98 mm	1
7	11062	CALIPER PIN	Ø 35 / 98 mm	1
8	11149	PIN BOLT	M18 x 2.5 / 90 mm	1
9	11148	PIN BOLT	M18 x 2.5 / 55 mm	1
10	11117	END PLATE BOLT	M12 x 1.75 / 30 mm	4
11	11116	END PLATE BOLT	M12 x 1.75 / 20 mm	2
12	11105	COVER PLATE BOLT	M8 x 1.25 / 20 mm	2
13	11111	TAPPET BOLT	M10 x 1.5 / 20 mm	2

NR	OKKS NR	DESCRIPTION	DIMENSION	QTY
1	11061	CALIPER PIN	Ø 35 / 98 mm	1
2	11062	CALIPER PIN	Ø 35 / 98 mm	1
3	11149	PIN BOLT	M18 x 2.5 / 90 mm	1
4	11148	PIN BOLT	M18 x 2.5 / 55 mm	1
5	11500	PIN CAP	Ø 42 / 31 mm	2
6	11466	PIN BUSH	Ø 35 x 39 / 50 mm	2

NR	OKKS NR	DESCRIPTION	DIMENSION	QTY
1	3501	BOOT REPAIR KIT		1
2	3503	PIN REPAIR KIT		1
3	11117	END PLATE BOLT	M12 x 1.75 / 30 mm	4
4	11116	END PLATE BOLT	M12 x 1.75 / 20 mm	2
5	11111	TAPPET BOLT	M10 x 1.5 / 20 mm	2
6	11105	COVER PLATE BOLT	M8 x 1.25 / 20 mm	2
7	11101	PLUG BOLT		1
8	11202	WASHER		1

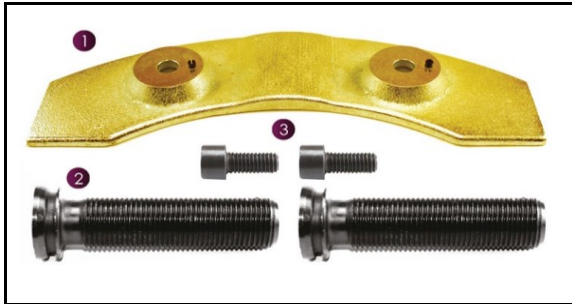
<b>OKKS NUMBER</b>	3505
--------------------	------



Caliper Seals Repair Kit

<b>OEM NUMBER</b>	MCK1193
-------------------	---------

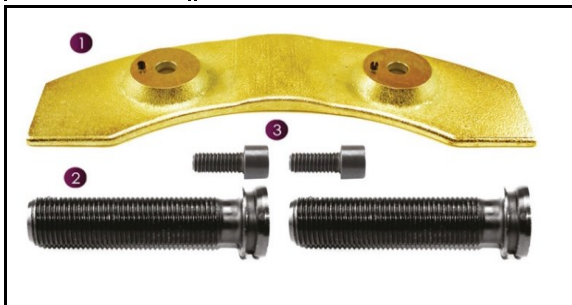
<b>OKKS NUMBER</b>	3506
--------------------	------



Caliper Push Plate Repair Kit Left

<b>OEM NUMBER</b>	
-------------------	--

<b>OKKS NUMBER</b>	3507
--------------------	------



Caliper Push Plate Repair Kit Right

<b>OEM NUMBER</b>	
-------------------	--

<b>OKKS NUMBER</b>	3508
--------------------	------



Caliper Bridge & Tubes Repair Kit Left

<b>OEM NUMBER</b>	
-------------------	--

NR	OKKS NR	DESCRIPTION	DIMENSION	QTY
1	10029	PIN BOOT		2
2	10030	TAPPET BOOT		2
3	10031	TAPPET BOOT SEAL		2
4	11500	PIN CAP	∅ 42 / 31 mm	2
5	11149	PIN BOLT	M18 x 2.5 / 90 mm	1
6	11148	PIN BOLT	M18 x 2.5 / 55 mm	1

NR	OKKS NR	DESCRIPTION	DIMENSION	QTY
1	11731	PLATE	LEFT 120 MM	1
2	11173	CALIPER CALIBRATION BOLT	LEFT 98 MM	2
3	11111	TAPPET BOLT	M10 x 1.5 / 20 mm	2

NR	OKKS NR	DESCRIPTION	DIMENSION	QTY
1	11732	PLATE	RIGHT 120 MM	1
2	11174	CALIPER CALIBRATION BOLT	RIGHT 98 MM	2
3	11111	TAPPET BOLT	M10 x 1.5 / 20 mm	2

NR	OKKS NR	DESCRIPTION	DIMENSION	QTY
1	11780	CALIPER SHAFT HOUSING	120 MM	1
2	11059	PISTON	LEFT 98 MM	2
3	11766	PIGNON GEAR	35 MM	2
4	11173	CALIBRATION BOLT	LEFT 98 MM	2
5	11765	MECHANISM CENTRAL FORK	64 MM	1
6	11767	MECHANISM PIGNON		1

<b>OKKS NUMBER</b>	3509
--------------------	------



Caliper Bridge & Tubes Repair Kit Right

<b>OEM NUMBER</b>	
-------------------	--

<b>OKKS NUMBER</b>	3510
--------------------	------



Caliper Adjusting Mechanism Minor Repair Kit Left

<b>OEM NUMBER</b>	
-------------------	--

<b>OKKS NUMBER</b>	3511
--------------------	------



Caliper Adjusting Mechanism Minor Repair Kit Right

<b>OEM NUMBER</b>	
-------------------	--

<b>OKKS NUMBER</b>	3512
--------------------	------



Caliper Adjusting Mechanism Minor Repair Kit Left

<b>OEM NUMBER</b>	
-------------------	--

NR	OKKS NR	DESCRIPTION	DIMENSION	QTY
1	11780	CALIPER SHAFT HOUSING	120 MM	1
2	11060	PISTON	RIGHT 98 MM	2
3	11766	PIGNON GEAR	35 MM	2
4	11174	CALIBRATION BOLT	RIGHT 98 MM	2
5	11765	MECHANISM CENTRAL FORK	64 MM	1
6	11767	MECHANISM PIGNON		1

NR	OKKS NR	DESCRIPTION	DIMENSION	QTY
1	11427	ADJUSTING MECHANISM	LEFT 120 MM	1
2	11204	PIGNON		1
3	11324	SPRING		1
4	11326	WAVY WASHER		2
5	11327	CLIPS		2
6	10079	SEAL		2

NR	OKKS NR	DESCRIPTION	DIMENSION	QTY
1	11428	ADJUSTING MECHANISM	RIGHT 120 MM	1
2	11204	PIGNON		1
3	11324	SPRING		1
4	11326	WAVY WASHER		2
5	11327	CLIPS		2
6	10079	SEAL		2

NR	OKKS NR	DESCRIPTION	DIMENSION	QTY
1	11427	ADJUSTING MECHANISM	LEFT 120 MM	1
2	11204	PIGNON		1
3	11324	SPRING		1
4	11326	WAVY WASHER		2
5	11327	CLIPS		2
6	10079	SEAL		2
7	11765	MECHANISM CENTRAL FORK	64 MM	1
8	11767	MECHANISM PIGNON		1

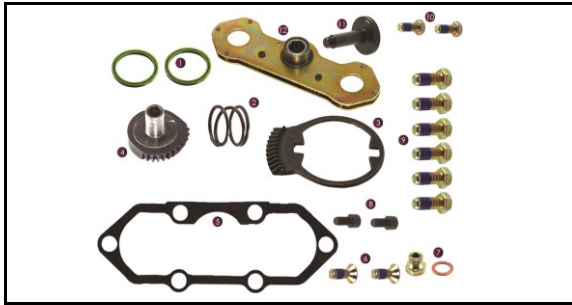
<b>OKKS NUMBER</b>	3513
--------------------	------



Caliper Adjusting Mechanism Minor Repair Kit Right

<b>OEM NUMBER</b>	
-------------------	--

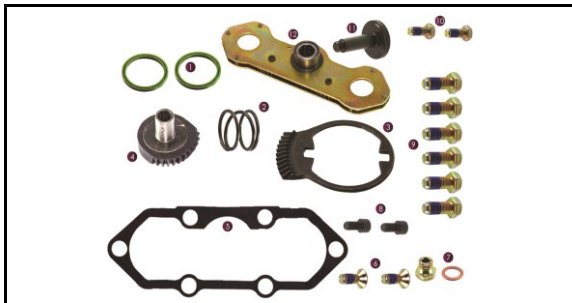
<b>OKKS NUMBER</b>	3514
--------------------	------



Caliper Adjusting Mechanism Minor Repair Kit Left

<b>OEM NUMBER</b>	MCK1336
-------------------	---------

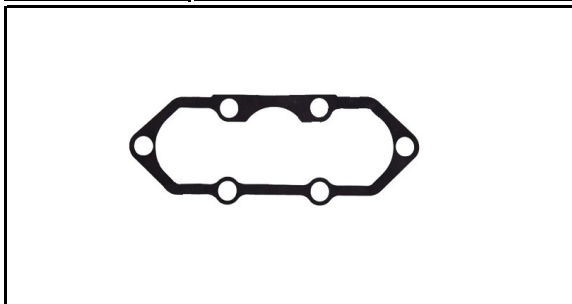
<b>OKKS NUMBER</b>	3515
--------------------	------



Caliper Adjusting Mechanism Minor Repair Kit Right

<b>OEM NUMBER</b>	MCK1337
-------------------	---------

<b>OKKS NUMBER</b>	10108
--------------------	-------



Caliper End Plate Gasket

<b>OEM NUMBER</b>	
-------------------	--

NR	OKKS NR	DESCRIPTION	DIMENSION	QTY
1	11428	ADJUSTING MECHANISM	RIGHT 120 MM	1
2	11204	PIGNON		1
3	11324	SPRING		1
4	11326	WAVY WASHER		2
5	11327	CLIPS		2
6	10079	SEAL		2
7	11765	MECHANISM CENTRAL FORK	64 MM	1
8	11767	MECHANISM PIGNON		1

NR	OKKS NR	DESCRIPTION	DIMENSION	QTY
1	10079	SEAL		2
2	11324	SPRING		1
3	11765	MECHANISM CENTRAL FORK	64 MM	1
4	11767	MECHANISM PIGNON		1
5	10108	END PLATE GASKET		1
6	11116	END PLATE BOLT	M12 x 1.75 / 20 mm	2
7	11202	WASHER	Ø 19 / Ø 13 MM	1
8	11104	COVER PLATE BOLT	Ø M8 x 1.25 / 16 MM	2
9	11117	END PLATE BOLT	M12 x 1.75 / 30 mm	4
10	11105	TAPPET BOLT	Ø M8 x 1.25 / 20 MM	2
11	11204	PIGNON		1
12	11427	ADJUSTING MECHANISM	LEFT 120 MM	1

NR	OKKS NR	DESCRIPTION	DIMENSION	QTY
1	10079	SEAL		2
2	11324	SPRING		1
3	11765	MECHANISM CENTRAL FORK	64 MM	1
4	11767	MECHANISM PIGNON		1
5	10108	END PLATE GASKET		1
6	11116	END PLATE BOLT	M12 x 1.75 / 20 mm	2
7	11202	WASHER	Ø 19 / Ø 13 MM	1
8	11104	COVER PLATE BOLT	Ø M8 x 1.25 / 16 MM	2
9	11117	END PLATE BOLT	M12 x 1.75 / 30 mm	4
10	11105	TAPPET BOLT	Ø M8 x 1.25 / 20 MM	2
11	11204	PIGNON		1
12	11428	ADJUSTING MECHANISM	RIGHT 120 MM	1

NR	OKKS NR	DESCRIPTION	DIMENSION	QTY

<b>OKKS NUMBER</b>	3517
--------------------	------



Caliper Shaft Fittings Repair Kit

<b>OEM NUMBER</b>	MCK1155
-------------------	---------

<b>OKKS NUMBER</b>	3433
--------------------	------



Caliper Dust Cover

<b>OEM NUMBER</b>	
-------------------	--

<b>OKKS NUMBER</b>	3518
--------------------	------



Caliper Adjuster Sleeve & Thrust Plate Repair Kit Left

<b>OEM NUMBER</b>	
-------------------	--

<b>OKKS NUMBER</b>	3519
--------------------	------



Caliper Adjuster Sleeve & Thrust Plate Repair Kit Right

<b>OEM NUMBER</b>	
-------------------	--

NR	OKKS NR	DESCRIPTION	DIMENSION	QTY
1	11781	CALIPER PAD RETAINER	160 MM	1
2	10106	COVER GASKET		1
3	11758	PIN		1
4	11759	PIN LOCKER		1
5	11105	COVER BOLT	M8 x 1,25 x 20 MM	2
6	11101	PLUG BOLT		1
7	11202	WASHER		1
8	11205	BOLT WITH NUT	M8 x 1.25 / 60 mm	1

NR	OKKS NR	DESCRIPTION	DIMENSION	QTY
1	10107	CALIPER DUST COVER		5

NR	OKKS NR	DESCRIPTION	DIMENSION	QTY
1	11780	CALIPER SHAFT HOUSING	120 MM	1
2	11059	PISTON	LEFT 98 MM	2
3	11766	PIGNON GEAR	35 MM	2
4	11173	CALIBRATION BOLT	LEFT 98 MM	2
5	11765	MECHANISM CENTRAL FORK	64 MM	1
6	11767	MECHANISM PIGNON		1
7	11111	TAPPET BOLT	M10 x 1.5 / 20 mm	2
8	11731	PLATE	LEFT 120 MM	1

NR	OKKS NR	DESCRIPTION	DIMENSION	QTY
1	11780	CALIPER SHAFT HOUSING	120 MM	1
2	11060	PISTON	RIGHT 98 MM	2
3	11766	PIGNON GEAR	35 MM	2
4	11174	CALIBRATION BOLT	RIGHT 98 MM	2
5	11765	MECHANISM CENTRAL FORK	64 MM	1
6	11767	MECHANISM PIGNON		1
7	11111	TAPPET BOLT	M10 x 1.5 / 20 mm	2
8	11732	PLATE	RIGHT 120 MM	1

<b>OKKS NUMBER</b>	11780
--------------------	-------



Caliper Shaft Housing

<b>OEM NUMBER</b>	
-------------------	--

<b>OKKS NUMBER</b>	3437
--------------------	------



Caliper Pistons & Pignons Repair Kit Left

<b>OEM NUMBER</b>	
-------------------	--

<b>OKKS NUMBER</b>	3438
--------------------	------



Caliper Pistons & Pignons Repair Kit Right

<b>OEM NUMBER</b>	
-------------------	--

<b>OKKS NUMBER</b>	3439
--------------------	------



Caliper Pistons & Pignons Repair Kit Left

<b>OEM NUMBER</b>	
-------------------	--

NR	OKKS NR	DESCRIPTION	DIMENSION	QTY

NR	OKKS NR	DESCRIPTION	DIMENSION	QTY
1	11059	PISTON	LEFT 98 MM	2
2	11766	PIGNON GEAR	35 MM	2

NR	OKKS NR	DESCRIPTION	DIMENSION	QTY
1	11060	PISTON	RIGHT 98 MM	2
2	11766	PIGNON GEAR	35 MM	2

NR	OKKS NR	DESCRIPTION	DIMENSION	QTY
1	11059	PISTON	LEFT 98 MM	2
2	11173	CALIBRATION BOLT	LEFT 98 MM	2
3	11766	PIGNON GEAR	35 MM	2







<b>OKKS NUMBER</b>	11783
--------------------	-------



Caliper Actuator End Plate - Right

<b>OEM NUMBER</b>	
-------------------	--

<b>NR</b>	<b>OKKS NR</b>	<b>DESCRIPTION</b>	<b>DIMENSION</b>	<b>QTY</b>
-----------	----------------	--------------------	------------------	------------


<b>OKKS NUMBER</b>	3531
--------------------	------



Caliper Guides & Seals Repair Kit

<b>OEM NUMBER</b>	SJ4011 / MCK1213 / SJ1228 DENNIS: 65507911 / MERCEDES: 000 420 0276 MAN: 81.50802.6008 / 81.50802.6009
-------------------	--

<b>OKKS NUMBER</b>	3532
--------------------	------



Caliper Guides & Seals Repair Kit

<b>OEM NUMBER</b>	SJ1213 / MERCEDES: A 000 420 0676
-------------------	-----------------------------------

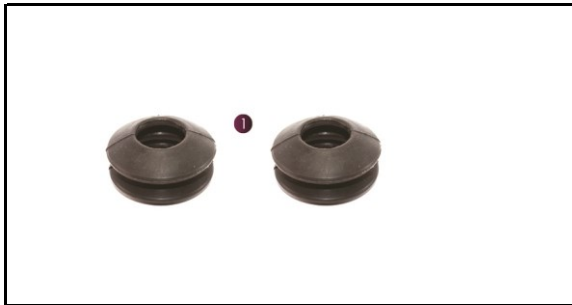
<b>OKKS NUMBER</b>	3533
--------------------	------



Caliper Guides & Seals Repair Kit

<b>OEM NUMBER</b>	SJ4001 / RENAULT: 5001 822 994 / 5001 822 998
-------------------	---

<b>OKKS NUMBER</b>	3534
--------------------	------



Caliper Tappet Cover Repair Kit

<b>OEM NUMBER</b>	
-------------------	--

NR	OKKS NR	DESCRIPTION	DIMENSION	QTY
1	11461	BUSH	Ø 32 x 36 / 40 MM	2
2	11464	BUSH	Ø 32-33 x 36 / 30 MM	1
3	10023	PIN BOOT		2
4	11546	PIN CAP	Ø 37 / 12 MM	2
5	11547	DUST COVER		2
6	11023	CALIPER PIN	Ø 32 / 117 MM	1
7	11017	CALIPER PIN	Ø 32 / 74 MM	1
8	11145	PIN BOLT	Ø M18 x 1.5 / 120 MM	1
9	11143	PIN BOLT	Ø M18 x 1.5 / 95 MM	1

NR	OKKS NR	DESCRIPTION	DIMENSION	QTY
1	11464	BUSH	Ø 32-33 x 36 / 30 MM	1
2	10023	PIN BOOT		2
3	11546	PIN CAP	Ø 37 / 12 MM	2
4	11547	DUST COVER		2
5	11023	CALIPER PIN	Ø 32 / 117 MM	1
6	11017	CALIPER PIN	Ø 32 / 74 MM	1
7	11145	PIN BOLT	Ø M18 x 1.5 / 120 MM	1
8	11143	PIN BOLT	Ø M18 x 1.5 / 95 MM	1

NR	OKKS NR	DESCRIPTION	DIMENSION	QTY
1	10023	PIN BOOT		2
2	11546	PIN CAP	Ø 37 / 12 MM	2
3	11547	DUST COVER		2
4	11023	CALIPER PIN	Ø 32 / 117 MM	1
5	11017	CALIPER PIN	Ø 32 / 74 MM	1
6	11145	PIN BOLT	Ø M18 x 1.5 / 120 MM	1
7	11143	PIN BOLT	Ø M18 x 1.5 / 95 MM	1

NR	OKKS NR	DESCRIPTION	DIMENSION	QTY
1	10023	PIN DUST COVER		2

<b>OKKS NUMBER</b>	<b>3535</b>
--------------------	-------------



Caliper Repair Kit Front-Left

<b>OEM NUMBER</b>	
-------------------	--

<b>OKKS NUMBER</b>	<b>3536</b>
--------------------	-------------



Caliper Repair Kit Front-Right

<b>OEM NUMBER</b>	
-------------------	--

<b>OKKS NUMBER</b>	<b>3537</b>
--------------------	-------------



Caliper Repair Kit Rear-Left

<b>OEM NUMBER</b>	
-------------------	--

<b>OKKS NUMBER</b>	<b>3538</b>
--------------------	-------------



Caliper Repair Kit Rear-Right

<b>OEM NUMBER</b>	
-------------------	--

NR	OKKS NR	DESCRIPTION	DIMENSION	QTY
1	3543	SPLINE SHAFT SET	LEFT 48 TEETH	1
2	3550	SPLINE SHAFT COVER SET		1
3	3571	MANUEL ADJUSTER REPAIR KIT		1
4	3547	ADJUSTER GEAR	LEFT	1
5	11257	MECHANISM SPRING		1
6	11482	SPLINE SHAFT BUSH	∅ 50 x 55 / 20 mm	1
7	11295	SPLINE SHAFT THRUST		1
8	11297	SPLINE SHAFT BALL BEARING		1
9	11319	WAVY WASHER		1

NR	OKKS NR	DESCRIPTION	DIMENSION	QTY
1	3544	SPLINE SHAFT SET	RIGHT 48 TEETH	1
2	3550	SPLINE SHAFT COVER SET		1
3	3571	MANUEL ADJUSTER REPAIR KIT		1
4	3548	ADJUSTER GEAR	RIGHT	1
5	11257	MECHANISM SPRING		1
6	11482	SPLINE SHAFT BUSH	∅ 50 x 55 / 20 mm	1
7	11295	SPLINE SHAFT THRUST		1
8	11297	SPLINE SHAFT BALL BEARING		1
9	11319	WAVY WASHER		1

NR	OKKS NR	DESCRIPTION	DIMENSION	QTY
1	3545	SPLINE SHAFT SET	LEFT 26 TEETH	1
2	3550	SPLINE SHAFT COVER SET		1
3	3571	MANUEL ADJUSTER REPAIR KIT		1
4	3547	ADJUSTER GEAR	LEFT	1
5	11257	MECHANISM SPRING		1
6	11482	SPLINE SHAFT BUSH	∅ 50 x 55 / 20 mm	1
7	11295	SPLINE SHAFT THRUST		1
8	11297	SPLINE SHAFT BALL BEARING		1
9	11319	WAVY WASHER		1

NR	OKKS NR	DESCRIPTION	DIMENSION	QTY
1	3546	SPLINE SHAFT SET	RIGHT 26 TEETH	1
2	3550	SPLINE SHAFT COVER SET		1
3	3571	MANUEL ADJUSTER REPAIR KIT		1
4	3548	ADJUSTER GEAR	RIGHT	1
5	11257	MECHANISM SPRING		1
6	11482	SPLINE SHAFT BUSH	∅ 50 x 55 / 20 mm	1
7	11295	SPLINE SHAFT THRUST		1
8	11297	SPLINE SHAFT BALL BEARING		1
9	11319	WAVY WASHER		1

<b>OKKS NUMBER</b>	3539
--------------------	------



Caliper Repair Kit Front-left

<b>OEM NUMBER</b>	
-------------------	--

<b>OKKS NUMBER</b>	3540
--------------------	------



Caliper Repair Kit Front-Right

<b>OEM NUMBER</b>	
-------------------	--

<b>OKKS NUMBER</b>	3541
--------------------	------



Caliper Spline Shaft Set (Left)

<b>OEM NUMBER</b>	
-------------------	--

<b>OKKS NUMBER</b>	3542
--------------------	------



Caliper Spline Shaft Set (Right)

<b>OEM NUMBER</b>	
-------------------	--

NR	OKKS NR	DESCRIPTION	DIMENSION	QTY
1	3541	SPLINE SHAFT SET	LEFT 26 TEETH	1
2	3550	SPLINE SHAFT COVER SET		1
3	3571	MANUEL ADJUSTER REPAIR KIT		1
4	3547	ADJUSTER GEAR	LEFT	1
5	11257	MECHANISM SPRING		1
6	11482	SPLINE SHAFT BUSH	Ø 50 x 55 / 20 mm	1
7	11295	SPLINE SHAFT THRUST		1
8	11297	SPLINE SHAFT BALL BEARING		1
9	11319	WAVY WASHER		1

NR	OKKS NR	DESCRIPTION	DIMENSION	QTY
1	3542	SPLINE SHAFT SET	RIGHT 26 TEETH	1
2	3550	SPLINE SHAFT COVER SET		1
3	3571	MANUEL ADJUSTER REPAIR KIT		1
4	3548	ADJUSTER GEAR	RIGHT	1
5	11257	MECHANISM SPRING		1
6	11482	SPLINE SHAFT BUSH	Ø 50 x 55 / 20 mm	1
7	11295	SPLINE SHAFT THRUST		1
8	11297	SPLINE SHAFT BALL BEARING		1
9	11319	WAVY WASHER		1

NR	OKKS NR	DESCRIPTION	DIMENSION	QTY
1	11635	BEARING HOUSE	LEFT 26 TEETH	1
2	11639	SPLINE SHAFT	LEFT	1

NR	OKKS NR	DESCRIPTION	DIMENSION	QTY
1	11634	BEARING HOUSE	RIGHT 26 TEETH	1
2	11638	SPLINE SHAFT	RIGHT	1

<b>OKKS NUMBER</b>	3543
--------------------	------



Caliper Spline Shaft Set (Left)

<b>OEM NUMBER</b>	
-------------------	--

<b>OKKS NUMBER</b>	3544
--------------------	------



Caliper Spline Shaft Set (Right)

<b>OEM NUMBER</b>	
-------------------	--

<b>OKKS NUMBER</b>	3545
--------------------	------



Caliper Spline Shaft Set (Left)

<b>OEM NUMBER</b>	
-------------------	--

<b>OKKS NUMBER</b>	3546
--------------------	------



Caliper Spline Shaft Set (Right)

<b>OEM NUMBER</b>	
-------------------	--

NR	OKKS NR	DESCRIPTION	DIMENSION	QTY
1	11633	BEARING HOUSE	LEFT 48 TEETH	1
2	11639	SPLINE SHAFT	LEFT	1

NR	OKKS NR	DESCRIPTION	DIMENSION	QTY
1	11632	BEARING HOUSE	RIGHT 48 TEETH	1
2	11638	SPLINE SHAFT	RIGHT	1

NR	OKKS NR	DESCRIPTION	DIMENSION	QTY
1	11637	BEARING HOUSE	LEFT 26 TEETH	1
2	11639	SPLINE SHAFT	LEFT	1

NR	OKKS NR	DESCRIPTION	DIMENSION	QTY
1	11636	BEARING HOUSE	RIGHT 26 TEETH	1
2	11638	SPLINE SHAFT	RIGHT	1

<b>OKKS NUMBER</b>	3547
--------------------	------



Adjusting Gear (Left)

<b>OEM NUMBER</b>	
-------------------	--

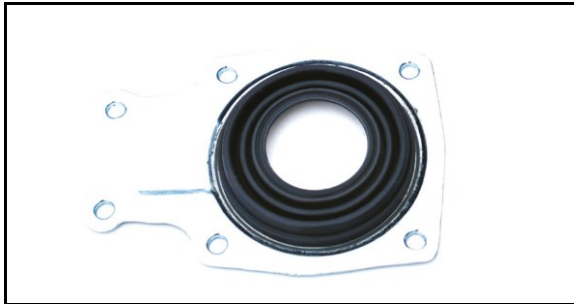
<b>OKKS NUMBER</b>	3548
--------------------	------



Adjusting Gear (Right)

<b>OEM NUMBER</b>	
-------------------	--

<b>OKKS NUMBER</b>	10056
--------------------	-------



Caliper Cover

<b>OEM NUMBER</b>	
-------------------	--

<b>OKKS NUMBER</b>	3550
--------------------	------



Caliper Cover & Boots Repair Kit

<b>OEM NUMBER</b>	
-------------------	--

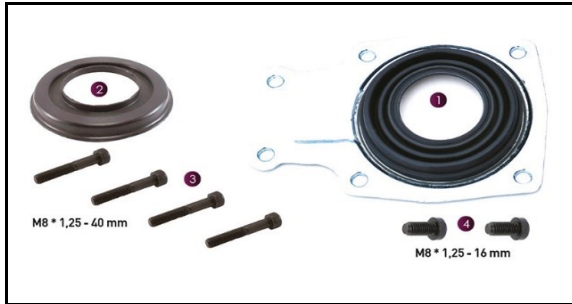
NR	OKKS NR	DESCRIPTION	DIMENSION	QTY
1	11641	ADJUSTING GEAR	L	1
2	11167	ADJUSTING BOLT		1

NR	OKKS NR	DESCRIPTION	DIMENSION	QTY
1	11641	ADJUSTING GEAR	R	1
2	11168	ADJUSTING BOLT		1

NR	OKKS NR	DESCRIPTION	DIMENSION	QTY

NR	OKKS NR	DESCRIPTION	DIMENSION	QTY
1	10056	SPLINE SHAFT DUST COVER		1
2	10074	SPLINE SHAFT COVER		1
3	10075	SPLINE SHAFT BOOT		1
4	10076	RUBBER CAP		1

<b>OKKS NUMBER</b>	3551
--------------------	------



Caliper Cover & Bolts Repair Kit

<b>OEM NUMBER</b>	SJ1212 / DAF: 1522063 / RENAULT: 5001831176 MERCEDES: 000 423 0082 / MAN: 81.50802.6007 KASSBÖHRER: 8285388441 / ZF: 0501208810 / ZF: 0501209883
-------------------	--

<b>OKKS NUMBER</b>	3552
--------------------	------



Caliper Cover, Bolts & Seals Repair Kit

<b>OEM NUMBER</b>	
-------------------	--

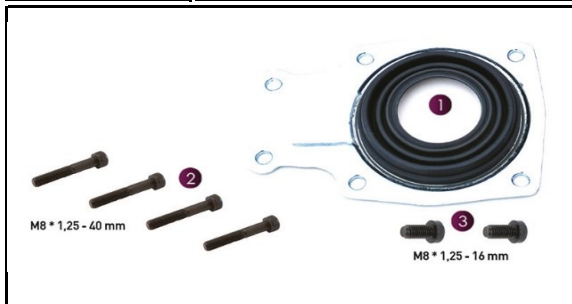
<b>OKKS NUMBER</b>	3553
--------------------	------



Caliper Bush & Seals Repair Kit

<b>OEM NUMBER</b>	
-------------------	--

<b>OKKS NUMBER</b>	3554
--------------------	------



Caliper Cover & Bolts Repair Kit

<b>OEM NUMBER</b>	
-------------------	--

NR	OKKS NR	DESCRIPTION	DIMENSION	QTY
1	10056	SPLINE SHAFT DUST COVER		1
2	10075	SPLINE SHAFT BOOT		1
3	11106	BOLT	Ø M8 x 1.25 / 40 MM	4
4	11104	BOLT	Ø M8 x 1.25 / 16 MM	2

NR	OKKS NR	DESCRIPTION	DIMENSION	QTY
1	10056	SPLINE SHAFT DUST COVER		1
2	11106	BOLT	Ø M8 x 1.25 / 40 MM	4
3	11104	BOLT	Ø M8 x 1.25 / 16 MM	2
4	10074	SPLINE SHAFT COVER		1
5	10075	SPLINE SHAFT BOOT		1
6	10076	RUBBER CAP		1

NR	OKKS NR	DESCRIPTION	DIMENSION	QTY
1	11482	SPLINE SHAFT BUSH	Ø 50 x 55 / 20 mm	1
2	16743	SPLINE SHAF SEAL		1
3	11328	SPLINE SHAF CIRCLIP		1
4	10074	SPLINE SHAFT COVER		1

NR	OKKS NR	DESCRIPTION	DIMENSION	QTY
1	10056	SPLINE SHAFT DUST COVER		1
2	11106	BOLT	Ø M8 x 1.25 / 40 MM	4
3	11104	BOLT	Ø M8 x 1.25 / 16 MM	2









<b>OKKS NUMBER</b>	3567
--------------------	------



Caliper Spring Set Right

<b>OEM NUMBER</b>	
-------------------	--

<b>OKKS NUMBER</b>	3568
--------------------	------



Clutch System Repair Kit Left

<b>OEM NUMBER</b>	
-------------------	--

<b>OKKS NUMBER</b>	3569
--------------------	------



Clutch System Repair Kit Right

<b>OEM NUMBER</b>	
-------------------	--

<b>OKKS NUMBER</b>	3570
--------------------	------



Clutch System Repair Kit

<b>OEM NUMBER</b>	
-------------------	--

NR	OKKS NR	DESCRIPTION	DIMENSION	QTY
1	11259	TORSION SPRING	BIG RIGHT	1
2	11258	TORSION SPRING	SMALL RIGHT	1

NR	OKKS NR	DESCRIPTION	DIMENSION	QTY
1	11482	SPLINE SHAFT BUSH	∅ 50 x 55 / 20 mm	1
2	11329	ADJUSTING GEAR SPRING		1
3	11256	TORSION SPRING	SMALL LEFT	1
4	11257	TORSION SPRING	BIG LEFT	1
5	11640	MECHANISM SPRING CASE		1
6	11191	MECHANISM WASHER		3
7	11192	MECHANISM WASHER		4

NR	OKKS NR	DESCRIPTION	DIMENSION	QTY
1	11482	SPLINE SHAFT BUSH	∅ 50 x 55 / 20 mm	1
2	11329	ADJUSTING GEAR SPRING		1
3	11258	TORSION SPRING	SMALL RIGHT	1
4	11259	TORSION SPRING	BIG RIGHT	1
5	11640	MECHANISM SPRING CASE		1
6	11191	MECHANISM WASHER		3
7	11192	MECHANISM WASHER		4

NR	OKKS NR	DESCRIPTION	DIMENSION	QTY
1	11640	MECHANISM SPRING CASE		1
2	11191	MECHANISM WASHER		3
3	11192	MECHANISM WASHER		4

<b>OKKS NUMBER</b>	3571
--------------------	------



Clutch System Repair Kit Small-Left

<b>OEM NUMBER</b>	
-------------------	--

<b>OKKS NUMBER</b>	3572
--------------------	------



Clutch System Repair Kit Small-Right

<b>OEM NUMBER</b>	
-------------------	--

<b>OKKS NUMBER</b>	3573
--------------------	------



Clutch System Repair Kit Left

<b>OEM NUMBER</b>	
-------------------	--

<b>OKKS NUMBER</b>	3574
--------------------	------



Clutch System Repair Kit Right

<b>OEM NUMBER</b>	
-------------------	--

NR	OKKS NR	DESCRIPTION	DIMENSION	QTY
1	11642	ADJUSTING GEAR		1
2	11256	TORSION SPRING	SMALL ( L )	1
3	11319	WAVY WASHER		1
4	11175	ADJUSTER BOLT	Ø M10 x 1.5 / 50 MM	1

NR	OKKS NR	DESCRIPTION	DIMENSION	QTY
1	11642	ADJUSTING GEAR		1
2	11258	TORSION SPRING	SMALL RIGHT	1
3	11319	WAVY WASHER		1
4	11175	ADJUSTER BOLT	Ø M10 x 1.5 / 50 MM	1

NR	OKKS NR	DESCRIPTION	DIMENSION	QTY
1	11642	ADJUSTING GEAR		1
2	11256	TORSION SPRING	SMALL ( L )	1
3	11319	WAVY WASHER		1
4	11175	ADJUSTER BOLT	Ø M10 x 1.5 / 50 MM	1
5	10076	RUBBER CAP		1

NR	OKKS NR	DESCRIPTION	DIMENSION	QTY
1	11642	ADJUSTING GEAR		1
2	11258	TORSION SPRING	SMALL RIGHT	1
3	11319	WAVY WASHER		1
4	11175	ADJUSTER BOLT	Ø M10 x 1.5 / 50 MM	1
5	10076	RUBBER CAP		1





OKKS NUMBER	3601
-------------	------



Caliper Guides & Seals Repair Kit

OEM NUMBER	MCK1103 / MAN TGA FORTUNA: 81.50802.6022
------------	--

OKKS NUMBER	3602
-------------	------



Caliper Guides & Bushing Repair Kit

OEM NUMBER	MAN: 81.50802.6021
------------	--------------------

OKKS NUMBER	3603
-------------	------



Caliper Guides & Bushing Repair Kit

OEM NUMBER	
------------	--

OKKS NUMBER	3604
-------------	------



Caliper Tappet Cover Kit

OEM NUMBER	ST1156 / MAN: 81.50802.6016 RENAULT: 5001 849 886
------------	--

NR	OKKS NR	DESCRIPTION	DIMENSION	QTY
1	11470	ROUND BUSH	Ø 35x39/30 MM	2
2	10077	RUBBER BUSH	Ø28.5x40/27 MM	1
3	10024	PIN BOOT		2
4	11506	PIN CAP	Ø 45/28 MM	2
5	11516	RING WITH STEP	Ø 36-37x39/15 MM	1
6	11514	RING	Ø 30x40/19 MM	1
7	11041	CALIPER PIN	Ø35/135 MM	1
8	11005	CALIPER PIN WITH BOLT	Ø28.5/110 MM	1
9	11153	PIN BOLT	Ø M20x1.5/150 MM	1

NR	OKKS NR	DESCRIPTION	DIMENSION	QTY
1	11470	ROUND BUSH	Ø 35x39/30 MM	2
2	11468	OVAL BUSH	Ø 35-37/40/33 MM	1
3	10024	PIN BOOT		2
4	11506	PIN CAP	Ø 45/28 MM	2
5	11516	RING WITH STEP	Ø 36-37x39/15 MM	1
6	11518	RING WITH OUT STEP	Ø 37x40/15 MM	1
7	11521	RING	Ø 37x48/14 MM	2
8	11516	CALIPER PIN	Ø35/135 MM	1
9	11032	CALIPER PIN	Ø35/72 MM	1
10	11153	PIN BOLT	Ø M20x1.5/150 MM	1
11	11151	PIN BOLT	Ø M20x1.5/90 MM	1

NR	OKKS NR	DESCRIPTION	DIMENSION	QTY
1	11470	ROUND BUSH	Ø 35x39/30 MM	2
2	10007	TAPPET BOOT		2
3	10024	PIN BOOT		2
4	11506	PIN CAP	Ø 45/28 MM	2
5	11516	RING WITH STEP	Ø 36-37x39/15 MM	1
6	11518	RING WITH OUT STEP	Ø 37x40/15 MM	1
7	11032	CALIPER PIN	Ø35/72 MM	1
8	11516	CALIPER PIN	Ø35/135 MM	1
9	11151	PIN BOLT	Ø M20x1.5/90 MM	1
10	11153	PIN BOLT	Ø M20x1.5/150 MM	1
11	11468	OVAL BUSH	Ø 35-37/40/33 MM	1
12	11521	RING	Ø 37x48/14 MM	2

NR	OKKS NR	DESCRIPTION	DIMENSION	QTY
1	10007	CALIPER DUST COVER		2

<b>OKKS NUMBER</b>	3605
--------------------	------



Caliper Guides & Bushing Repair Kit

<b>OEM NUMBER</b>	MCK1102 / ST1157 / DAF: 1522034 MAN: 81508026017 / 81508026020 / 81508026021
-------------------	---

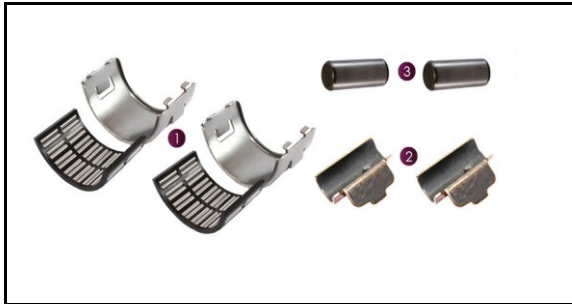
<b>OKKS NUMBER</b>	3606
--------------------	------



Caliper Tappet Cover Kit

<b>OEM NUMBER</b>	
-------------------	--

<b>OKKS NUMBER</b>	3607
--------------------	------



Caliper Half Bearing Repair Kit

<b>OEM NUMBER</b>	SJ4112 / VOLVO: 3092329 / DAF: 1522169
-------------------	--

<b>OKKS NUMBER</b>	3608
--------------------	------



Caliper Bearings

<b>OEM NUMBER</b>	
-------------------	--

NR	OKKS NR	DESCRIPTION	DIMENSION	QTY
1	11470	ROUND BUSH	Ø 35x39/30 MM	2
2	11468	OVAL BUSH	Ø 35-37/40/33 MM	1
3	10024	PIN BOOT		2
4	11506	PIN CAP	Ø 45/28 MM	2
5	11516	RING WITH STEP	Ø 36-37x39/15 MM	1
6	11518	RING WITH OUT STEP	Ø 37x40/15 MM	1
7	11521	RING	Ø 37x48/14 MM	2
8	11032	CALIPER PIN	Ø35/72 MM	1
9	11516	CALIPER PIN	Ø35/135 MM	1
10	11151	PIN BOLT	Ø M20x1.5/90 MM	1
11	11153	PIN BOLT	Ø M20x1.5/150 MM	1

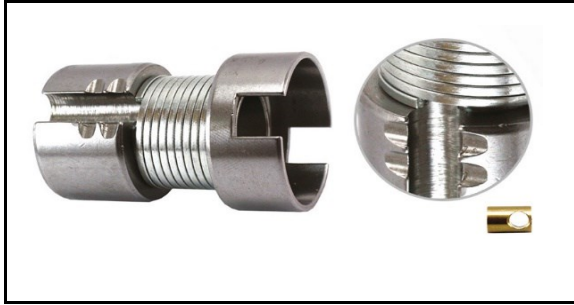
NR	OKKS NR	DESCRIPTION	DIMENSION	QTY
1	10007	TAPPET BOOT		2
2	10024	PIN BOOT		2

NR	OKKS NR	DESCRIPTION	DIMENSION	QTY
1	11287	NEEDLE BEARING		2
2	11544	LEVER BEARING		2
3	11543	ROLLER BEARING		2

NR	OKKS NR	DESCRIPTION	DIMENSION	QTY
1	11287	NEEDLE BEARING		2



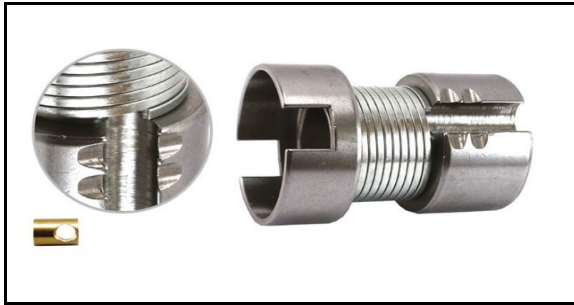
<b>OKKS NUMBER</b>	11435
--------------------	-------



Caliper Adjusting Mech. Clutch System Left

<b>OEM NUMBER</b>	
-------------------	--

<b>OKKS NUMBER</b>	11436
--------------------	-------



Caliper Adjusting Mech. Clutch System Right

<b>OEM NUMBER</b>	
-------------------	--

<b>OKKS NUMBER</b>	3611
--------------------	------



Caliper Adjusting Mech. Clutch System Repair Kit Left

<b>OEM NUMBER</b>	
-------------------	--

<b>OKKS NUMBER</b>	3612
--------------------	------



Caliper Adjusting Mech. Clutch System Repair Kit Right

<b>OEM NUMBER</b>	
-------------------	--

NR	OKKS NR	DESCRIPTION	DIMENSION	QTY

NR	OKKS NR	DESCRIPTION	DIMENSION	QTY

NR	OKKS NR	DESCRIPTION	DIMENSION	QTY
1	11407	ADJUSTING GEAR		1
2	11331	SPRING		1
3	10073	ADJUSTING DUST RUBBER		1
4	11206	SPRING BEARING WASHER		4
5	11207	SPRING BEARING WASHER		5
6	11435	ADJ.MECH.CLUTCH SYSTEM	LEFT	1

NR	OKKS NR	DESCRIPTION	DIMENSION	QTY
1	11407	ADJUSTING GEAR		1
2	11331	SPRING		1
3	10073	ADJUSTING DUST RUBBER		1
4	11206	SPRING BEARING WASHER		4
5	11207	SPRING BEARING WASHER		5
6	11436	ADJ.MECH.CLUTCH SYSTEM	RIGHT	1

<b>OKKS NUMBER</b>	3613
--------------------	------



Caliper Adjusting Mechanism

<b>OEM NUMBER</b>	
-------------------	--

<b>OKKS NUMBER</b>	11431
--------------------	-------



Caliper Gear Left

<b>OEM NUMBER</b>	
-------------------	--

<b>OKKS NUMBER</b>	11432
--------------------	-------



Caliper Gear Right

<b>OEM NUMBER</b>	
-------------------	--

<b>OKKS NUMBER</b>	3616
--------------------	------



Caliper Adjusting Mechanism Tappers Repair Kit Left

<b>OEM NUMBER</b>	
-------------------	--

NR	OKKS NR	DESCRIPTION	DIMENSION	QTY
1	11407	ADJUSTING GEAR		1
2	11331	SPRING		1
3	10073	ADJUSTING DUST RUBBER		1
4	11206	SPRING BEARING WASHER		4
5	11207	SPRING BEARING WASHER		5

NR	OKKS NR	DESCRIPTION	DIMENSION	QTY

NR	OKKS NR	DESCRIPTION	DIMENSION	QTY

NR	OKKS NR	DESCRIPTION	DIMENSION	QTY
1	11431	ADJUSTING GEAR	35 MM LEFT	2
2	11956	GEAR TAPPET		2
3	11652	INTERMEDIATE GEAR	35 MM	1



<b>OKKS NUMBER</b>	11434
--------------------	-------



Caliper Gear Right

<b>OEM NUMBER</b>	
-------------------	--

<b>OKKS NUMBER</b>	3622
--------------------	------



Caliper Adjusting Mechanism Tappers Repair Kit Left

<b>OEM NUMBER</b>	
-------------------	--

<b>OKKS NUMBER</b>	3623
--------------------	------



Caliper Adjusting Mechanism Tappers Repair Kit Right

<b>OEM NUMBER</b>	
-------------------	--

<b>OKKS NUMBER</b>	3624
--------------------	------



Caliper Adjusting Mechanism Tappers Repair Kit Left

<b>OEM NUMBER</b>	
-------------------	--

NR	OKKS NR	DESCRIPTION	DIMENSION	QTY

NR	OKKS NR	DESCRIPTION	DIMENSION	QTY
1	11433	CALIPER ADJUSTING GEAR	37.5 MM LEFT	2
2	11956	GEAR TAPPET		2
3	11653	INTERMEDIATE GEAR	37.5 MM	1

NR	OKKS NR	DESCRIPTION	DIMENSION	QTY
1	11434	CALIPER ADJUSTING GEAR	37.5 MM RIGHT	2
2	11956	GEAR TAPPET		2
3	11653	INTERMEDIATE GEAR	37.5 MM	1

NR	OKKS NR	DESCRIPTION	DIMENSION	QTY
1	11549	GEAR BUSH	37.5 MM	2
2	11956	GEAR TAPPET		2
3	11434	CALIPER ADJUSTING GEAR	37.5 MM LEFT	2
4	11653	INTERMEDIATE GEAR	37.5 MM	1



<b>OKKS NUMBER</b>	11653
--------------------	-------



Caliper Adjusting Gear Sheet 37,5 mm

<b>OEM NUMBER</b>	
-------------------	--

<b>OKKS NUMBER</b>	3630
--------------------	------



Metal Cap

<b>OEM NUMBER</b>	
-------------------	--

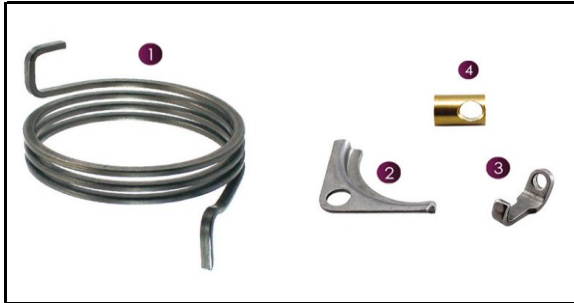
<b>OKKS NUMBER</b>	11651
--------------------	-------



Caliper Locking Shim Repair Kit

<b>OEM NUMBER</b>	68321678PK10 MAN81.50822.0006 ZF 0501 318 0766
-------------------	--

<b>OKKS NUMBER</b>	3632
--------------------	------



Caliper Spring Retainers Thrust Repair Kit Left

<b>OEM NUMBER</b>	
-------------------	--

NR	OKKS NR	DESCRIPTION	DIMENSION	QTY
----	---------	-------------	-----------	-----


NR	OKKS NR	DESCRIPTION	DIMENSION	QTY
----	---------	-------------	-----------	-----

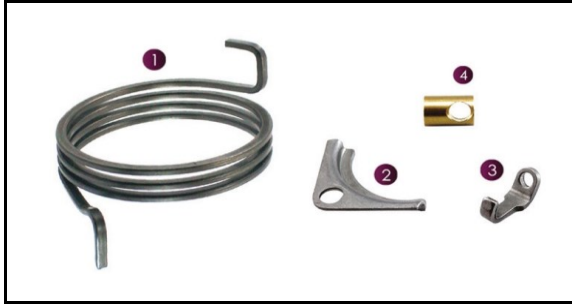
1	11956	GEAR TAPPET		2

NR	OKKS NR	DESCRIPTION	DIMENSION	QTY
----	---------	-------------	-----------	-----


NR	OKKS NR	DESCRIPTION	DIMENSION	QTY
----	---------	-------------	-----------	-----

1	11260	LEVER RETURN SPRING	LEFT	1
2	11654	BRACKET		1
3	11656	LEVER SPRING RETAINER		1
4	11655	LEVER PIN		1

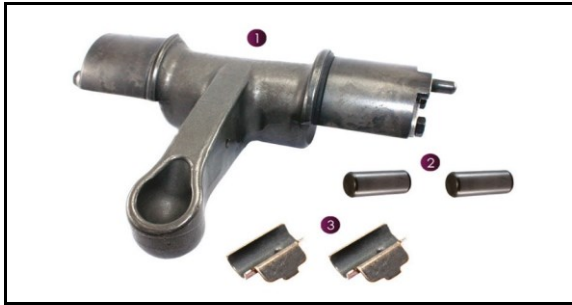
<b>OKKS NUMBER</b>	3633
--------------------	------



Caliper Spring Retainers Thrust Repair Kit Right

<b>OEM NUMBER</b>	
-------------------	--

<b>OKKS NUMBER</b>	3634
--------------------	------



Caliper Lever Left

<b>OEM NUMBER</b>	
-------------------	--

<b>OKKS NUMBER</b>	3635
--------------------	------



Caliper Lever Right

<b>OEM NUMBER</b>	
-------------------	--

<b>OKKS NUMBER</b>	3636
--------------------	------



Caliper Lever Left

<b>OEM NUMBER</b>	
-------------------	--

NR	OKKS NR	DESCRIPTION	DIMENSION	QTY
1	11261	LEVER RETURN SPRING	L	1
2	11654	BRACKET		1
3	11656	LEVER SPRING RETAINER		1
4	11655	LEVER PIN		1

NR	OKKS NR	DESCRIPTION	DIMENSION	QTY
1	11384	CALIPER LEVER	R	1
2	11543	ROLLER BEARING		2
3	11544	LEVER BEARING		2

NR	OKKS NR	DESCRIPTION	DIMENSION	QTY
1	11385	CALIPER LEVER	L	1
2	11543	ROLLER BEARING		2
3	11544	LEVER BEARING		2

NR	OKKS NR	DESCRIPTION	DIMENSION	QTY
1	11384	CALIPER LEVER	LEFT	1
2	11543	ROLLER BEARING		2
3	11544	LEVER BEARING		2
4	11287	HALF BEARING		2





<b>OKKS NUMBER</b>	11444
--------------------	-------



Caliper Adjusting Mechanism Repair Kit Left

<b>OEM NUMBER</b>	MCK1209 / RENAULT: 503129553
-------------------	------------------------------

<b>OKKS NUMBER</b>	11447
--------------------	-------



Caliper Adjusting Mechanism Repair Kit Right

<b>OEM NUMBER</b>	MCK1212
-------------------	---------

<b>OKKS NUMBER</b>	11448
--------------------	-------



Caliper Adjusting Mechanism Repair Kit Left

<b>OEM NUMBER</b>	MCK1211
-------------------	---------

NR	OKKS NR	DESCRIPTION	DIMENSION	QTY
----	---------	-------------	-----------	-----


NR	OKKS NR	DESCRIPTION	DIMENSION	QTY
----	---------	-------------	-----------	-----


NR	OKKS NR	DESCRIPTION	DIMENSION	QTY
----	---------	-------------	-----------	-----



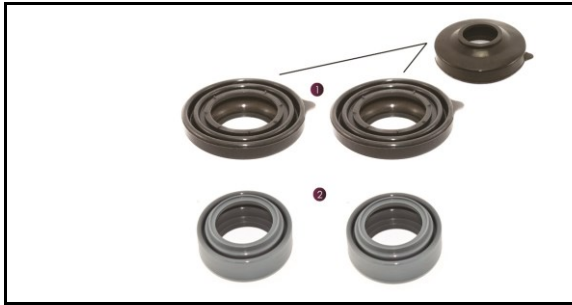

<b>OKKS NUMBER</b>	3655
--------------------	------



Caliper Tappet Head Repair Kit

<b>OEM NUMBER</b>	MCK1238 / VOLVO: 3092264 / 85107718
-------------------	-------------------------------------

<b>OKKS NUMBER</b>	3311
--------------------	------



Caliper Tappet Cover Kit

<b>OEM NUMBER</b>	
-------------------	--

<b>OKKS NUMBER</b>	3657
--------------------	------



Caliper Guides & Bushing Repair Kit

<b>OEM NUMBER</b>	
-------------------	--

<b>OKKS NUMBER</b>	3658
--------------------	------



Caliper Guides & Bushing Repair Kit

<b>OEM NUMBER</b>	MCK1243 / MCK1140 / RENAULT: 5001 860 791 MAN: 81508026025 / VOLVO: 85107912 IVECO: 42555201
-------------------	--

NR	OKKS NR	DESCRIPTION	DIMENSION	QTY
1	11307	CLIPS		2
2	11955	TAPPET		2
3	10008	TAPPET BOOT		2

NR	OKKS NR	DESCRIPTION	DIMENSION	QTY
1	10008	TAPPET BOOT		2
2	10009	PIN BOOT		2

NR	OKKS NR	DESCRIPTION	DIMENSION	QTY
1	11470	ROUND BUSH	Ø 35 x39/30 MM	2
2	11459	OVAL BUSH	Ø 31-33 x42/30 MM	1
3	10009	PIN BOOT		2
4	11505	PIN CAP	Ø 45/28 MM	2
5	11519	RING	Ø 37 x42/14 MM	2
6	11042	CALIPER PIN	Ø 35/144 MM	1
7	11015	CALIPER PIN	Ø 31/84 MM	1
8	11147	PIN BOLT	Ø M18 x1.5/150 MM	1
9	11142	PIN BOLT	Ø M18 x1.5/90 MM	1

NR	OKKS NR	DESCRIPTION	DIMENSION	QTY
1	11470	ROUND BUSH	Ø 35 x39/30 MM	2
2	11459	OVAL BUSH	Ø 31-33 x42/30 MM	1
3	10009	PIN BOOT		2
4	11505	PIN CAP	Ø 45/28 MM	2
5	11108	BOLT	Ø M10 x 1.25 / 20 MM	1
6	11519	RING	Ø 37 x42/14 MM	2
7	11042	CALIPER PIN	Ø 35/144 MM	1
8	11015	CALIPER PIN	Ø 31/84 MM	1
9	11147	PIN BOLT	Ø M18 x1.5/150 MM	1
10	11142	PIN BOLT	Ø M18 x1.5/90 MM	1
11	11125	BOLT	Ø M16 x1.5/40 MM	4

<b>OKKS NUMBER</b>	3659
--------------------	------



Caliper Dust Boots Repair Kit

<b>OEM NUMBER</b>	MCK1244 / VOLVO: 85109892 RENAULT: 5001 858 718 / 5001 860 792
-------------------	---

<b>OKKS NUMBER</b>	3660
--------------------	------



Caliper Guides & Bushing Repair Kit

<b>OEM NUMBER</b>	
-------------------	--

<b>OKKS NUMBER</b>	3661
--------------------	------



Caliper Dust Boots & Caps Repair Kit

<b>OEM NUMBER</b>	MCK1253 / DAF: 884368
-------------------	-----------------------

<b>OKKS NUMBER</b>	3662
--------------------	------



Caliper Dust Boots & Caps Repair Kit

<b>OEM NUMBER</b>	MCK1087
-------------------	---------

NR	OKKS NR	DESCRIPTION	DIMENSION	QTY
1	10008	TAPPET BOOT		2
2	10009	PIN BOOT		2
3	11657	CALIPER DUST COVER		1
4	11505	PIN CAP	Ø 45/28 MM	2
5	10018	RUBBER CAP		1
6	11125	BOLT	Ø M16 x1.5/40 MM	4

NR	OKKS NR	DESCRIPTION	DIMENSION	QTY
1	10008	TAPPET BOOT		2
2	10009	PIN BOOT		2
3	11657	CALIPER DUST COVER		1
4	10018	RUBBER CAP		1

NR	OKKS NR	DESCRIPTION	DIMENSION	QTY
1	11118	BOLT	Ø M14 x1.5/40 MM	4
2	10009	PIN BOOT		2
3	11502	PIN CAP	Ø 44/17 MM	2

NR	OKKS NR	DESCRIPTION	DIMENSION	QTY
1	11125	BOLT	Ø M16 x1.5/40 MM	4
2	10009	PIN BOOT		2
3	11505	PIN CAP	Ø 45/28 MM	2
4	11108	BOLT	Ø M10 x 1.25 / 20 MM	1











<b>OKKS NUMBER</b>	11356
--------------------	-------



Caliper Adjusting Gear

<b>OEM NUMBER</b>	
-------------------	--

<b>OKKS NUMBER</b>	3680
--------------------	------



Caliper Adjusting Mechanism Sealings

<b>OEM NUMBER</b>	
-------------------	--

<b>OKKS NUMBER</b>	3681
--------------------	------



Caliper Bearing Cap

<b>OEM NUMBER</b>	
-------------------	--

<b>OKKS NUMBER</b>	3682
--------------------	------



Caliper Dust Cover

<b>OEM NUMBER</b>	68323746PK10
-------------------	--------------

NR	OKKS NR	DESCRIPTION	DIMENSION	QTY
----	---------	-------------	-----------	-----


NR	OKKS NR	DESCRIPTION	DIMENSION	QTY
----	---------	-------------	-----------	-----

1	11554	GEAR BUSH		2
2	11663	SEAL		2
3	11664	TAPPET BOOT RING		2

NR	OKKS NR	DESCRIPTION	DIMENSION	QTY
----	---------	-------------	-----------	-----

1	11665	BEARING SADDLE		2

NR	OKKS NR	DESCRIPTION	DIMENSION	QTY
----	---------	-------------	-----------	-----

1	11657	CALIPER DUST COVER		10

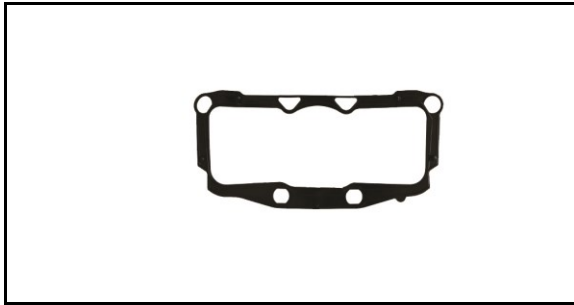
<b>OKKS NUMBER</b>	10010
--------------------	-------



Caliper Cover Gasket

<b>OEM NUMBER</b>	
-------------------	--

<b>OKKS NUMBER</b>	10111
--------------------	-------



Caliper Cover Gasket

<b>OEM NUMBER</b>	
-------------------	--

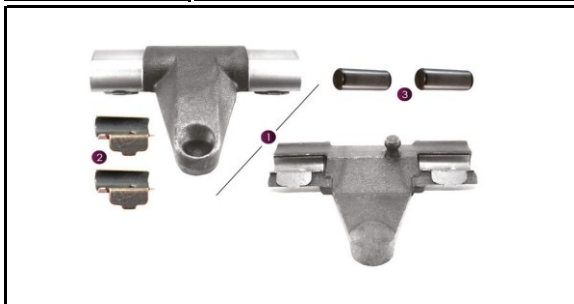
<b>OKKS NUMBER</b>	3685
--------------------	------



Caliper Cover Gasket & Seals Repair Kit

<b>OEM NUMBER</b>	
-------------------	--

<b>OKKS NUMBER</b>	3686
--------------------	------



Caliper Lever

<b>OEM NUMBER</b>	
-------------------	--

NR	OKKS NR	DESCRIPTION	DIMENSION	QTY
----	---------	-------------	-----------	-----


NR	OKKS NR	DESCRIPTION	DIMENSION	QTY
----	---------	-------------	-----------	-----

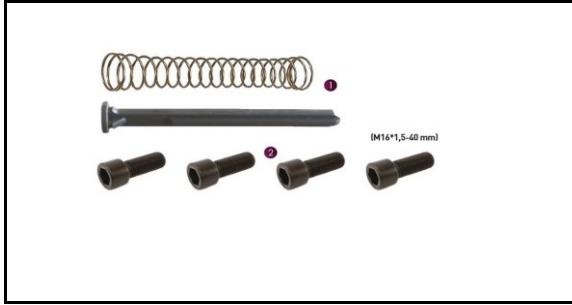

NR	OKKS NR	DESCRIPTION	DIMENSION	QTY
----	---------	-------------	-----------	-----

1	10008	TAPPET BOOT		2
2	10009	PIN BOOT		2
3	10112	PLASTIC RING		2
4	10010	GASKET		1
5	10113	PLASTIC RING		1

NR	OKKS NR	DESCRIPTION	DIMENSION	QTY
----	---------	-------------	-----------	-----

1	11386	CALIVER LEVER		1
2	11544	LEVER BEARING		2
3	11543	ROLLER BEARING		2

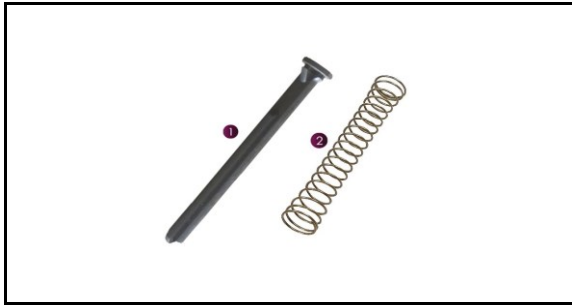
<b>OKKS NUMBER</b>	3687
--------------------	------



Caliper Visual Pad Wear & Bolt Repair Kit

<b>OEM NUMBER</b>	MCK1240 / RENAULT: 5021 177 423
-------------------	---------------------------------

<b>OKKS NUMBER</b>	3688
--------------------	------



Caliper Visual Pad Wear Assembly

<b>OEM NUMBER</b>	
-------------------	--

<b>OKKS NUMBER</b>	3607
--------------------	------



Caliper Half Bearing Repair Kit

<b>OEM NUMBER</b>	SJ4112 / VOLVO: 3092329 / DAF: 1522169
-------------------	--

<b>OKKS NUMBER</b>	3608
--------------------	------



Caliper Bearings

<b>OEM NUMBER</b>	
-------------------	--

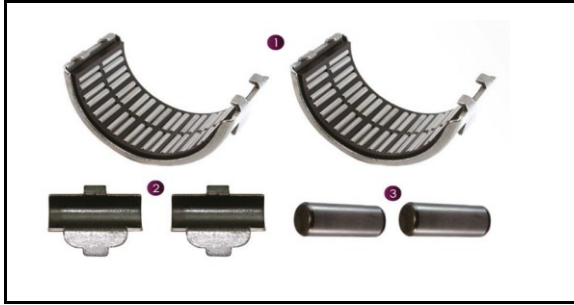
NR	OKKS NR	DESCRIPTION	DIMENSION	QTY
1	3688	CALIPER VISUAL INDICATOR		1
2	11125	BOLT	Ø M16 x1.5/40 MM	4

NR	OKKS NR	DESCRIPTION	DIMENSION	QTY
1	10114	VISUAL PAD WEAR ASSEMBLY		1
2	11262	SPRING		1

NR	OKKS NR	DESCRIPTION	DIMENSION	QTY
1	11287	HALF BEARING		2
2	11544	LEVER BEARING		2
3	11543	ROLLER BEARING		2

NR	OKKS NR	DESCRIPTION	DIMENSION	QTY
1	11287	NEEDLE BEARING		2

<b>OKKS NUMBER</b>	3689
--------------------	------

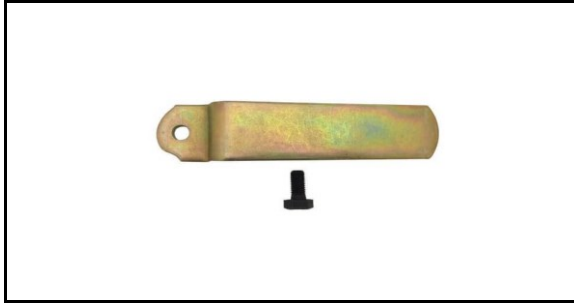


Caliper Half Bearing Repair Kit

<b>OEM NUMBER</b>	
-------------------	--

NR	OKKS NR	DESCRIPTION	DIMENSION	QTY
1	11287	NEEDLE BEARING		2
2	11556	LEVER BEARING		2
3	11543	ROLLER BEARING		2

<b>OKKS NUMBER</b>	11666
--------------------	-------

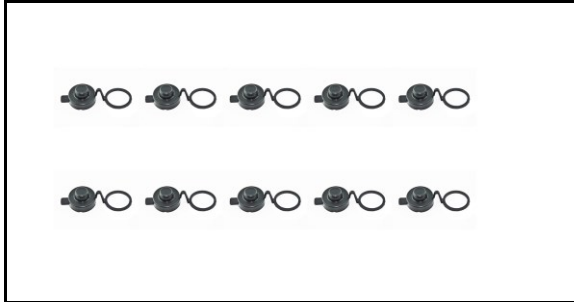


Caliper Pad Retainer Repair Kit

<b>OEM NUMBER</b>	MCK1264
-------------------	---------

NR	OKKS NR	DESCRIPTION	DIMENSION	QTY

<b>OKKS NUMBER</b>	3690
--------------------	------



Caliper Adjuster Dust Boot

<b>OEM NUMBER</b>	68322655PK10
-------------------	--------------

NR	OKKS NR	DESCRIPTION	DIMENSION	QTY
1	10018	RUBBER CAP		10

<b>OKKS NUMBER</b>	11729
--------------------	-------

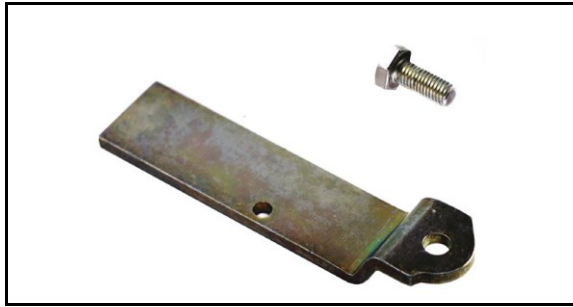


Caliper Pad Retainer Repair Kit

<b>OEM NUMBER</b>	MCK1263
-------------------	---------

NR	OKKS NR	DESCRIPTION	DIMENSION	QTY

<b>OKKS NUMBER</b>	11730
--------------------	-------



Caliper Pad Retainer Repair Kit

<b>OEM NUMBER</b>	MCK1174 / MAN: 81.50822.0014 RENAULT: 5001 858 719 / 5001 866 486 DAF: 868303 / VOLVO: 85107958
-------------------	---

NR	OKKS NR	DESCRIPTION	DIMENSION	QTY
----	---------	-------------	-----------	-----


<b>OKKS NUMBER</b>	<b>3701</b>
--------------------	-------------



Caliper Guides & Seals Repair Kit

<b>OEM NUMBER</b>	<b>MCK1298 / VOLVO: 85109890 RENAULT PREMIUM: 5001866989</b>
-------------------	--

<b>OKKS NUMBER</b>	<b>3702</b>
--------------------	-------------



Caliper Boots & Bolts Repair Kit

<b>OEM NUMBER</b>	<b>MCK1310 / VOLVO: 85109892 RENAULT: 5001 866 400</b>
-------------------	--

<b>OKKS NUMBER</b>	<b>3703</b>
--------------------	-------------



Caliper Guides & Seals Repair Kit

<b>OEM NUMBER</b>	<b>MCK1317 / VOLVO: 85109889</b>
-------------------	----------------------------------

<b>OKKS NUMBER</b>	<b>3704</b>
--------------------	-------------



Caliper Boots & Bolts Repair Kit

<b>OEM NUMBER</b>	<b>225201</b>
-------------------	---------------

NR	OKKS NR	DESCRIPTION	DIMENSION	QTY
1	11470	ROUND BUSH	Ø 35 x39/30 MM	2
2	10009	PIN BOOT		2
3	11502	PIN CAP	Ø 44/17 MM	2
4	11459	OVAL BUSH	Ø 31-33 x42/30 MM	1
5	11036	CALIPER PIN	Ø 35/117 MM	1
6	11014	CALIPER PIN	Ø 31/78 MM	1
7	11145	PIN BOLT	Ø M18 x1.5/120 MM	1
8	11140	PIN BOLT	Ø M18 x1.5/80 MM	1
9	11118	BOLT	Ø M14 x1.5/40 MM	4
10	11124	BOLT	Ø M16 x1.5/40 MM	4
11	11517	RING	Ø 37 x40/11 MM	2

NR	OKKS NR	DESCRIPTION	DIMENSION	QTY
1	11118	BOLT	Ø M14 x1.5/40 MM	4
2	10009	PIN BOOT		2
3	11502	PIN CAP	Ø 44/17 MM	2
4	11124	BOLT	Ø M16 x1.5/40 MM	4
5	11145	PIN BOLT	Ø M18 x1.5/120 MM	1

NR	OKKS NR	DESCRIPTION	DIMENSION	QTY
1	11036	CALIPER PIN	Ø 35/117 MM	1
2	11016	CALIPER PIN	Ø 31/117 MM	1
3	11145	PIN BOLT	Ø M18 x1.5/120 MM	2
4	10009	PIN BOOT		2
5	11470	ROUND BUSH	Ø 35 x39/30 MM	2
6	11459	OVAL BUSH	Ø 31-33 x42/30 MM	2
7	11502	PIN CAP	Ø 44/17 MM	2
8	11517	RING	Ø 37 x40/11 MM	2
9	11124	BOLT	Ø M16 x1.5/40 MM	4

NR	OKKS NR	DESCRIPTION	DIMENSION	QTY
1	10008	TAPPET BOOT		2
2	10009	PIN BOOT		2
3	10019	RUBBER CAP		1
4	11125	BOLT	Ø M16 x1.5/40 MM	4

<b>OKKS NUMBER</b>	3705
--------------------	------



Caliper Guides & Seals Repair Kit

<b>OEM NUMBER</b>	225200
-------------------	--------

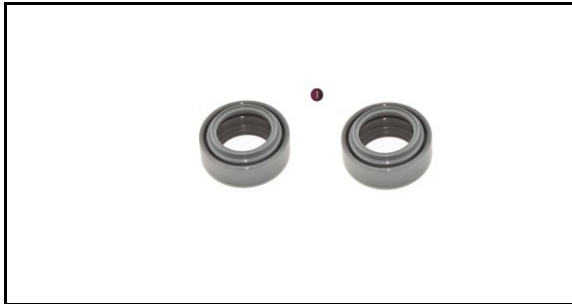
<b>OKKS NUMBER</b>	3706
--------------------	------



Caliper Guides & Seals Repair Kit

<b>OEM NUMBER</b>	225233
-------------------	--------

<b>OKKS NUMBER</b>	3312
--------------------	------



Caliper Tappet Dust Cover

<b>OEM NUMBER</b>	SJ4053
-------------------	--------

<b>OKKS NUMBER</b>	3661
--------------------	------



Caliper Dust Boots & Caps Repair Kit

<b>OEM NUMBER</b>	MCK1253 / DAF: 884368
-------------------	-----------------------

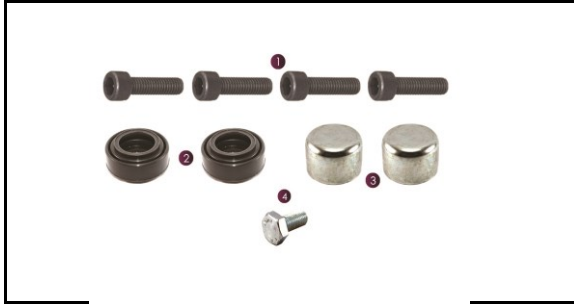
NR	OKKS NR	DESCRIPTION	DIMENSION	QTY
1	10008	TAPPET BOOT		2
2	10009	PIN BOOT		2
3	11125	BOLT	Ø M16 x1.5/40 MM	4
4	11140	PIN BOLT	Ø M18 x1.5/80 MM	1
5	11036	CALIPER PIN	Ø 35 / 117 MM	1
6	11014	CALIPER PIN	Ø 31 / 78 MM	1
7	11145	PIN BOLT	Ø M18 x1.5/120 MM	1

NR	OKKS NR	DESCRIPTION	DIMENSION	QTY
1	10008	TAPPET BOOT		2
2	10009	PIN BOOT		2
3	11014	CALIPER PIN	Ø 31 / 78 MM	1
4	11140	PIN BOLT	Ø M18 x1.5/80 MM	1
5	11517	RING	Ø 37 x40/11 MM	1
6	11502	PIN CAP	Ø 44/17 MM	1
7	11108	BOLT	Ø M10 x 1.25 / 20 mm	1

NR	OKKS NR	DESCRIPTION	DIMENSION	QTY
1	10009	PIN BOOT		2

NR	OKKS NR	DESCRIPTION	DIMENSION	QTY
1	11118	BOLT	Ø M14 x1.5/40 MM	4
2	10009	PIN BOOT		2
3	11502	PIN CAP	Ø 44/17 MM	2

<b>OKKS NUMBER</b>	3707
--------------------	------



Caliper Dust Boots & Caps Repair Kit

<b>OEM NUMBER</b>	
-------------------	--

<b>OKKS NUMBER</b>	3663
--------------------	------



Caliper Guides & Bushing Repair Kit

<b>OEM NUMBER</b>	MCK1254
-------------------	---------

<b>OKKS NUMBER</b>	3708
--------------------	------



Caliper Bushing Repair Kit

<b>OEM NUMBER</b>	225221
-------------------	--------

<b>OKKS NUMBER</b>	3310
--------------------	------



Caliper Tappet Dust Cover

<b>OEM NUMBER</b>	68324854PK10 / MCK1139 / MAN: 81.50802.6024
-------------------	---

NR	OKKS NR	DESCRIPTION	DIMENSION	QTY
1	11125	BOLT	Ø M16 x1.5/40 MM	4
2	10009	PIN BOOT		2
3	11505	PIN CAP	Ø 45/28 MM	2
4	11108	BOLT	Ø M10 x1.25/20 MM	1

NR	OKKS NR	DESCRIPTION	DIMENSION	QTY
1	11470	ROUND BUSH	Ø 35 x39/30 MM	2
2	10009	PIN BOOT		2
3	11502	PIN CAP	Ø 44/17 MM	2
4	11118	BOLT	Ø M14 x1.5/40 MM	4
5	11037	CALIPER PIN	Ø 35/117 MM	1
6	11013	CALIPER PIN	Ø 31/78 MM	1
7	11145	PIN BOLT	Ø M18 x1.5/120 MM	1
8	11140	PIN BOLT	Ø M18 x 1.5 / 80 mm	1
9	11517	RING	Ø 37 x40/11 MM	2
10	11459	OVAL BUSH	Ø 31-33 x42/30 MM	1

NR	OKKS NR	DESCRIPTION	DIMENSION	QTY
1	11517	RING	Ø 37 x40/11 MM	2
2	11502	PIN CAP	Ø 44/17 MM	2
3	11470	ROUND BUSH	Ø 35 x39/30 MM	2
4	11459	OVAL BUSH	Ø 31-33 x42/30 MM	1

NR	OKKS NR	DESCRIPTION	DIMENSION	QTY
1	10008	TAPPET BOOT		2





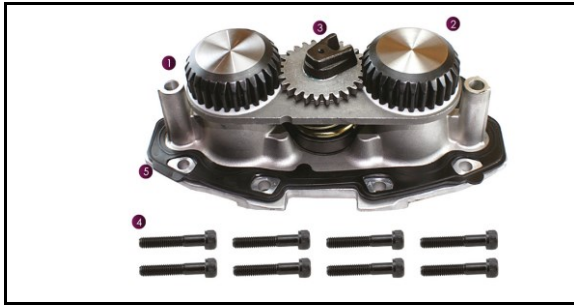
<b>OKKS NUMBER</b>	3710
--------------------	------



Caliper Calibration Mechanism Kit

<b>OEM NUMBER</b>	
-------------------	--

<b>OKKS NUMBER</b>	3711
--------------------	------



Caliper Calibration Mechanism Gasket & Seals repair Kit

<b>OEM NUMBER</b>	
-------------------	--

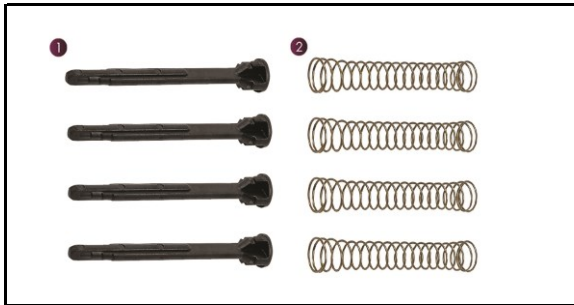
<b>OKKS NUMBER</b>	3712
--------------------	------



Caliper Visual Pad Wear Assembly

<b>OEM NUMBER</b>	MCK1311 / VOLVO: 85109893 RENAULT: 7485109893
-------------------	--

<b>OKKS NUMBER</b>	3713
--------------------	------



Caliper Visual Pad Wear Assembly

<b>OEM NUMBER</b>	225207
-------------------	--------

NR	OKKS NR	DESCRIPTION	DIMENSION	QTY

NR	OKKS NR	DESCRIPTION	DIMENSION	QTY

NR	OKKS NR	DESCRIPTION	DIMENSION	QTY
1	10091	WEAR ASSEMBLY		1
2	11262	SPRING		1

NR	OKKS NR	DESCRIPTION	DIMENSION	QTY
1	10091	WEAR ASSEMBLY		4
2	11262	SPRING		4

<b>OKKS NUMBER</b>	11356
--------------------	-------



Caliper Adjusting Gear

<b>OEM NUMBER</b>	
-------------------	--

<b>OKKS NUMBER</b>	3714
--------------------	------



Caliper Adjusting Mechanism Sealings

<b>OEM NUMBER</b>	
-------------------	--

<b>OKKS NUMBER</b>	3715
--------------------	------



Caliper Bearing Cap

<b>OEM NUMBER</b>	
-------------------	--

<b>OKKS NUMBER</b>	3682
--------------------	------



Caliper Dust Cover

<b>OEM NUMBER</b>	68323746PK10
-------------------	--------------

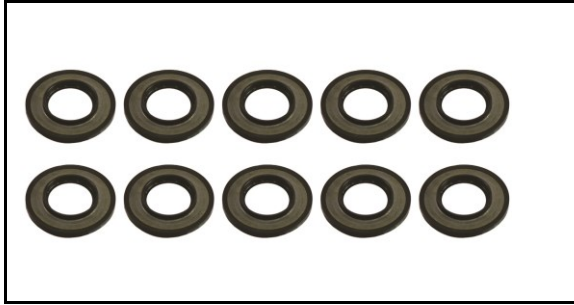
NR	OKKS NR	DESCRIPTION	DIMENSION	QTY

NR	OKKS NR	DESCRIPTION	DIMENSION	QTY
1	11554	GEAR BUSH		2
2	11663	SEAL		2
3	11664	TAPPET BOOT RING		2

NR	OKKS NR	DESCRIPTION	DIMENSION	QTY
1	11665	BEARING SADDLE		2

NR	OKKS NR	DESCRIPTION	DIMENSION	QTY
1	11657	CALIPER DUST COVER		10

<b>OKKS NUMBER</b>	3716
--------------------	------



<b>OEM NUMBER</b>	
-------------------	--

<b>OKKS NUMBER</b>	10011
--------------------	-------



Caliper Calibration Mechanism Gasket

<b>OEM NUMBER</b>	
-------------------	--

<b>OKKS NUMBER</b>	3608
--------------------	------



Caliper Bearings

<b>OEM NUMBER</b>	
-------------------	--

<b>OKKS NUMBER</b>	3607
--------------------	------



Caliper Bearing Repair Kit

<b>OEM NUMBER</b>	
-------------------	--

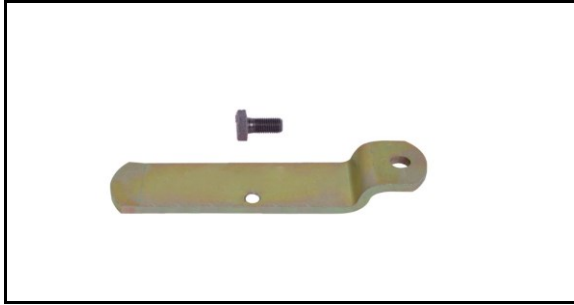
NR	OKKS NR	DESCRIPTION	DIMENSION	QTY
1	11658	CALIPER ACTUATOR SEAL		10

NR	OKKS NR	DESCRIPTION	DIMENSION	QTY
		CALIPER GASKET		1

NR	OKKS NR	DESCRIPTION	DIMENSION	QTY
1	11287	NEEDLE BEARING		2

NR	OKKS NR	DESCRIPTION	DIMENSION	QTY
1	11287	HALF BEARING		2
2	11544	LEVER BEARING		2
3	11543	ROLLER BEARING		2

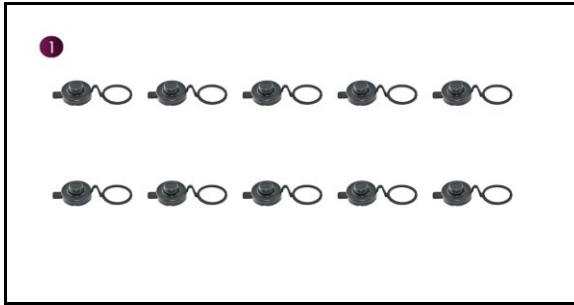
<b>OKKS NUMBER</b>	11666
--------------------	-------



Caliper Pad Retainer Repair Kit

<b>OEM NUMBER</b>	
-------------------	--

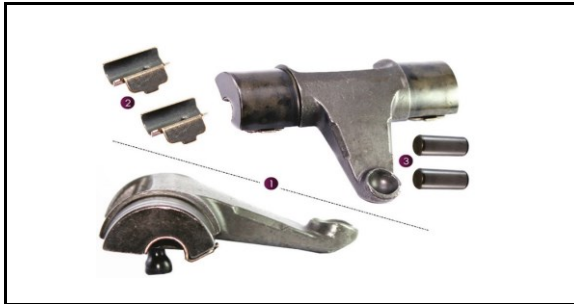
<b>OKKS NUMBER</b>	3339
--------------------	------



Caliper Adjuster Dust Boot

<b>OEM NUMBER</b>	68322655PK10
-------------------	--------------

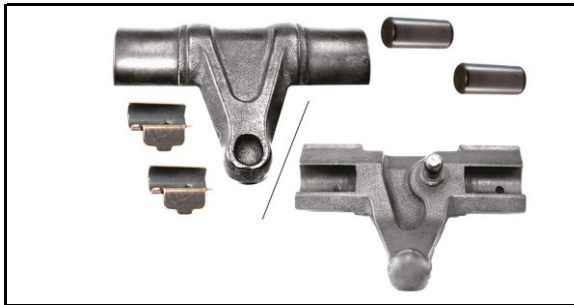
<b>OKKS NUMBER</b>	3720
--------------------	------



Caliper Lever

<b>OEM NUMBER</b>	
-------------------	--

<b>OKKS NUMBER</b>	3721
--------------------	------



Caliper Lever

<b>OEM NUMBER</b>	
-------------------	--

NR	OKKS NR	DESCRIPTION	DIMENSION	QTY
----	---------	-------------	-----------	-----


NR	OKKS NR	DESCRIPTION	DIMENSION	QTY
----	---------	-------------	-----------	-----

1	10018	RUBBER CAP		10

NR	OKKS NR	DESCRIPTION	DIMENSION	QTY
----	---------	-------------	-----------	-----

1	11387	CALIVER LEVER		1
2	11544	LEVER BEARING		2
3	11543	ROLLER BEARING		2

NR	OKKS NR	DESCRIPTION	DIMENSION	QTY
----	---------	-------------	-----------	-----

1	11388	CALIVER LEVER		1
2	11544	LEVER BEARING		2
3	11543	ROLLER BEARING		2

<b>OKKS NUMBER</b>	<b>3731</b>
--------------------	-------------



Caliper Guides & Seals Repair Kit

<b>OEM NUMBER</b>	<b>SJ4076 / MCK1104 / RENAULT: 5001 837 006</b>
-------------------	---

<b>OKKS NUMBER</b>	<b>3732</b>
--------------------	-------------



Caliper Bolt & Cap Repair Kit

<b>OEM NUMBER</b>	<b>SJ4021 / VOLVO: 8550881</b>
-------------------	--------------------------------

<b>OKKS NUMBER</b>	<b>3312</b>
--------------------	-------------



Caliper Tappet Dust Cover

<b>OEM NUMBER</b>	<b>SJ4053</b>
-------------------	---------------

<b>OKKS NUMBER</b>	<b>3733</b>
--------------------	-------------



Caliper Guides & Seals Repair Kit

<b>OEM NUMBER</b>	<b>SJ4052 / DAF: 1522192 / RENAULT: 5001 845 385</b>
-------------------	--

NR	OKKS NR	DESCRIPTION	DIMENSION	QTY
1	11042	CALIPER PIN	Ø 35 / 132 mm	1
2	11033	CALIPER PIN	Ø 35 / 79 mm	1
3	11153	PIN BOLT	Ø M20 x 1.5 /150 MM	1
4	11152	PIN BOLT	Ø M20 x 1.5 /100 MM	1
5	11520	RING	Ø 37 x 47 /12 MM	2
6	11473	CALIPER PIN BUSH	Ø 35 x 41 / 30 mm	2
7	11470	ROUND BUSH	Ø 35 x 39 /30 MM	2
8	10009	PIN BOOT		2
9	11503	PIN CAP	Ø 45 / 14.5 mm	2
10	11469	CALIPER PIN BUSH	Ø 35-36 x 39 / 47 mm	1

NR	OKKS NR	DESCRIPTION	DIMENSION	QTY
1	11152	PIN BOLT	Ø M20 x 1.5 /100 MM	1
2	11153	PIN BOLT	Ø M20 x 1.5 /150 MM	1
3	11503	PIN CAP	Ø 45 / 14.5 mm	2

NR	OKKS NR	DESCRIPTION	DIMENSION	QTY
1	10009	CALIPER PIN BOOT SET		2

NR	OKKS NR	DESCRIPTION	DIMENSION	QTY
1	11012	CALIPER PIN	Ø 30 / 115 MM	1
2	11007	CALIPER PIN	Ø 30 / 75 MM	1
3	11146	PIN BOLT	Ø M18 x 1.5 / 135 MM	1
4	11143	PIN BOLT	Ø M18 x 1.5 / 95 MM	1
5	11552	PIN BOOT RING	Ø 32 x 42 / 12 MM	2
6	10046	FIBER BUSH	Ø 30 x 34 / 26 MM	2
7	10115	PIN BOOT		2
8	11546	PIN CAP	Ø 37 / 12 mm	1
9	11501	PIN CAP	Ø 42 / 43 MM	1
10	11456	OVAL BUSH	Ø 30-31 x 34 / 26 mm	1

<b>OKKS NUMBER</b>	3734
--------------------	------



Caliper Gear Small Left

<b>OEM NUMBER</b>	SJ4073 / VOLVO: 3098111 RENAULT: 5001 845 386
-------------------	--

<b>OKKS NUMBER</b>	3735
--------------------	------



Caliper Gear Small Right

<b>OEM NUMBER</b>	SJ4074 / VOLVO: 3098111 RENAULT: 5001 845 387
-------------------	--

<b>OKKS NUMBER</b>	3736
--------------------	------



Caliper Adjusting Mechanism Left

<b>OEM NUMBER</b>	SJ4113 / VOLVO: 3092763 RENAULT: 5001 856 319
-------------------	--

<b>OKKS NUMBER</b>	3737
--------------------	------



Caliper Adjusting Mechanism Right

<b>OEM NUMBER</b>	SJ4114 / VOLVO: 3092764 RENAULT: 5001 856 320
-------------------	--

NR	OKKS NR	DESCRIPTION	DIMENSION	QTY
1	11670	GEAR		1
2	11169	CALIBRATION BOLT	LEFT	1
3	11263	SPRING		1

NR	OKKS NR	DESCRIPTION	DIMENSION	QTY
1	11670	GEAR		1
2	11170	CALIBRATION BOLT	RIGHT	1
3	11263	SPRING		1

NR	OKKS NR	DESCRIPTION	DIMENSION	QTY
1	11429	ADJUSTING MECHANISM		1
2	11735	GEAR		1
3	11332	SPRING		1

NR	OKKS NR	DESCRIPTION	DIMENSION	QTY
1	11429	ADJUSTING MECHANISM		1
2	11735	GEAR		1
3	11332	SPRING		1

<b>OKKS NUMBER</b>	<b>3738</b>
--------------------	-------------



Caliper Operating Shaft Left

<b>OEM NUMBER</b>	<b>MCK1021 / MCK1151 / VOLVO: 85104827</b>
-------------------	--

NR	OKKS NR	DESCRIPTION	DIMENSION	QTY
1	11671	CALIPER SPLINE SHAFT	LEFT	1
2	11787	MECHANISM BALL BEARING		3
3	11785	CALIPER BEARING HOUSE	LEFT	1
4	11673	ANTI ROTATION PIN		1

<b>OKKS NUMBER</b>	<b>3739</b>
--------------------	-------------



Caliper Operating Shaft Right

<b>OEM NUMBER</b>	<b>MCK1022 / MCK1152 / VOLVO: 85104828</b>
-------------------	--

NR	OKKS NR	DESCRIPTION	DIMENSION	QTY
1	11672	CALIPER SPLINE SHAFT	RIGHT	1
2	11787	MECHANISM BALL BEARING		3
3	11786	CALIPER BEARING HOUSE	RIGHT	1
4	11673	ANTI ROTATION PIN		1

<b>OKKS NUMBER</b>	<b>11772</b>
--------------------	--------------



Shaft Setting Lever

<b>OEM NUMBER</b>	<b>68915080 / 68915081</b>
-------------------	----------------------------

NR	OKKS NR	DESCRIPTION	DIMENSION	QTY

<b>OKKS NUMBER</b>	<b>3741</b>
--------------------	-------------



Caliper Need & Roller Bearing

<b>OEM NUMBER</b>	<b>SJ4031 / VOLVO: 8550893</b>
-------------------	--------------------------------

NR	OKKS NR	DESCRIPTION	DIMENSION	QTY
1	11298	ROLLER BEARING		1
2	11333	THRUST BEARING		1
3	11208	THRUST WASHER		1
4	11480	BUSH	∅ 40 x 44 /15 MM	1
5	11526	RING		1



<b>OKKS NUMBER</b>	3742
--------------------	------



Caliper Boot & Seal Kit

<b>OEM NUMBER</b>	SJ4061
-------------------	--------

<b>OKKS NUMBER</b>	3743
--------------------	------



Caliper Boot & Seal Kit

<b>OEM NUMBER</b>	SJ4078
-------------------	--------

<b>OKKS NUMBER</b>	3744
--------------------	------



Caliper Tappet Dust Cover

<b>OEM NUMBER</b>	SJ4077
-------------------	--------

<b>OKKS NUMBER</b>	3745
--------------------	------



Caliper Boot & Seal Kit

<b>OEM NUMBER</b>	SJ4032
-------------------	--------

NR	OKKS NR	DESCRIPTION	DIMENSION	QTY
1	10119	TAPPET BOOT		1
2	10115	PIN BOOT		2
3	11669	SEAL	∅ 40 x 57 / 6 MM	1
4	11668	SHIELD	∅ 42 x 56 / 6 MM	1
5	11667	SEAL	∅ 39 x 52 / 5.5 MM	1
6	10116	COVER GASKET		1
7	10117	ADJUSTING BOOT		1
8	10118	ADJUSTING O-RING		1

NR	OKKS NR	DESCRIPTION	DIMENSION	QTY
1	10119	TAPPET BOOT		1
2	10115	PIN BOOT		2
3	10116	COVER GASKET		1
4	10117	ADJUSTING BOOT		1
5	10118	ADJUSTING O-RING		1
6	10009	PIN BOOT		2
7	11667	SEAL	∅ 39 x 52 / 5.5 MM	1
8	11668	SHIELD	∅ 42 x 56 / 6 MM	1
9	11669	SEAL	∅ 40 x 57 / 6 MM	1

NR	OKKS NR	DESCRIPTION	DIMENSION	QTY
1	10009	PIN BOOT		2
2	10115	PIN BOOT		2

NR	OKKS NR	DESCRIPTION	DIMENSION	QTY
1	10116	COVER GASKET		1
2	10117	ADJUSTING BOOT		1
3	10118	ADJUSTING O-RING		1
4	10009	PIN BOOT		2
5	10115	PIN BOOT		2
6	10119	TAPPET BOOT		1



<b>OKKS NUMBER</b>	3751
--------------------	------



Caliper Boot & Pin Repair Kit

<b>OEM NUMBER</b>	12 999 699 / 12 999 702 DAF: 1436853 / IVECO: 42536957
-------------------	---

NR	OKKS NR	DESCRIPTION	DIMENSION	QTY
1	10052	TAPPET BOOT		1
2	10051	PIN BOOT		2
3	11008	CALIPER PIN	∅ 30 / 77 MM	1
4	11127	PIN BOLT	M16 x 1.5 / 70 MM	1
5	11010	CALIPER PIN	∅ 30 / 91 MM	1
6	11131	PIN BOLT	M16 x 1.5 / 90 MM	1
7	11486	PIN CAP	∅ 34 / 17 MM	2
8	11454	PIN BUSH	∅ 30 x 34 / 20 MM	2
9	11455	PIN BUSH	∅ 30 x 34 / 25 MM	1

<b>OKKS NUMBER</b>	3752
--------------------	------



Caliper Seals & Boots Repair Kit

<b>OEM NUMBER</b>	12 999 580VT MAN: 81508226003 / DAF: 1517407
-------------------	---

NR	OKKS NR	DESCRIPTION	DIMENSION	QTY
1	10057	CALIPER HEAD GASKET		1
2	10051	PIN BOOT		2
3	10055	CALIPER HEAD SEAL		1
4	10052	TAPPET BOOT		1
5	11131	PIN BOLT	M16 x 1.5 / 90 MM	1
6	11127	PIN BOLT	M16 x 1.5 / 70 MM	1
7	10053	CALIPER HEAD CAP		1
8	11486	PIN CAP	∅ 34 / 17 MM	2
9	11110	CALIPER HEAD BOLT	M10 x 1 / 40 MM	8
10	11454	PIN BUSH	∅ 30 x 34 / 20 MM	2
11	10054	CALIPER HEAD SEAL		1
12	11455	PIN BUSH	∅ 30 x 34 / 25 MM	1

<b>OKKS NUMBER</b>	3755
--------------------	------



Caliper Seals & Boots Repair Kit

<b>OEM NUMBER</b>	12 999 704VT DAF: 1519363 / RENAULT: 5001852880
-------------------	--

NR	OKKS NR	DESCRIPTION	DIMENSION	QTY
1	10052	TAPPET BOOT		1
2	10051	PIN BOOT		2
3	11486	PIN CAP	∅ 34 / 17 MM	2
4	11131	PIN BOLT	M16 x 1.5 / 90 MM	1
5	11127	PIN BOLT	M16 x 1.5 / 70 MM	1
6	11454	PIN BUSH	∅ 30 x 34 / 20 MM	2
7	11455	PIN BUSH	∅ 30 x 34 / 25 MM	1

<b>OKKS NUMBER</b>	3756
--------------------	------

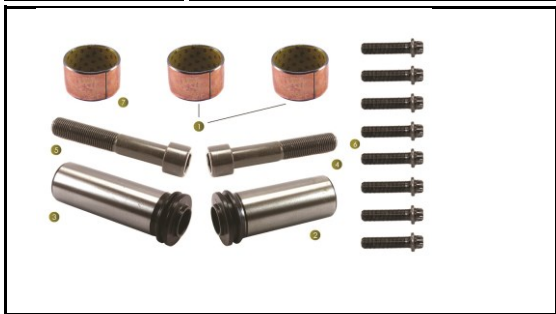


Caliper Seals & Boots Repair Kit

<b>OEM NUMBER</b>	
-------------------	--

NR	OKKS NR	DESCRIPTION	DIMENSION	QTY
1	11486	PIN CAP	∅ 34 / 17 MM	2
2	11454	PIN BUSH	∅ 30 x 34 / 20 MM	2
3	10052	TAPPET BOOT		1
4	10051	PIN BOOT		2
5	11455	PIN BUSH	∅ 30 x 34 / 25 MM	1

OKKS NUMBER 3757



Caliper Guides & Bolts Repair Kit

OEM NUMBER

NR	OKKS NR	DESCRIPTION	DIMENSION	QTY
1	11454	PIN BUSH	Ø 30 x 34 / 20 MM	2
2	11008	CALIPER PIN	Ø 30 / 77 MM	1
3	11010	CALIPER PIN	Ø 30 / 91 MM	1
4	11127	PIN BOLT	M16 x 1.5 / 70 MM	1
5	11131	PIN BOLT	M16 x 1.5 / 90 MM	1
6	11110	CALIPER HEAD BOLT	M10 x 1 / 40 MM	8
7	11455	PIN BUSH	Ø 30 x 34 / 25 MM	1

OKKS NUMBER 3758



Caliper Guides & Bolts Repair Kit

OEM NUMBER

NR	OKKS NR	DESCRIPTION	DIMENSION	QTY
1	11110	CALIPER HEAD BOLT	M10 x 1 / 40 MM	8
2	11008	CALIPER PIN	Ø 30 / 77 MM	1
3	11010	CALIPER PIN	Ø 30 / 91 MM	1
4	11127	PIN BOLT	M16 x 1.5 / 70 MM	1
5	11131	PIN BOLT	M16 x 1.5 / 90 MM	1

OKKS NUMBER 3759



Caliper Guides & Bolts Repair Kit

OEM NUMBER

NR	OKKS NR	DESCRIPTION	DIMENSION	QTY
1	11454	PIN BUSH	Ø 30 x 34 / 20 MM	2
2	11008	CALIPER PIN	Ø 30 / 77 MM	1
3	11010	CALIPER PIN	Ø 30 / 91 MM	1
4	11127	PIN BOLT	M16 x 1.5 / 70 MM	1
5	11131	PIN BOLT	M16 x 1.5 / 90 MM	1
6	11455	PIN BUSH	Ø 30 x 34 / 25 MM	1

OKKS NUMBER 3760



Caliper Bushing Repair Kit

OEM NUMBER

NR	OKKS NR	DESCRIPTION	DIMENSION	QTY
1	11454	PIN BUSH	Ø 30 x 34 / 20 MM	10

OKKS NUMBER 3761



Caliper Seals & Boots Repair Kit

OEM NUMBER

NR	OKKS NR	DESCRIPTION	DIMENSION	QTY
1	10052	TAPPET BOOT		1
2	10051	PIN BOOT		2

OKKS NUMBER 3762

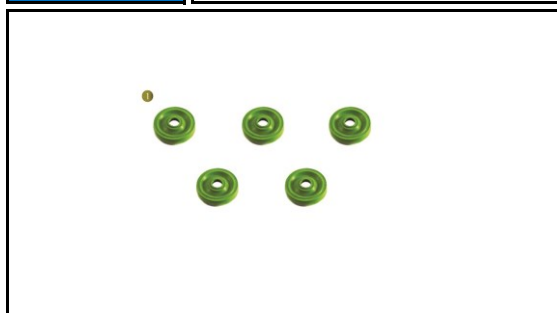


Caliper Seals & Boots Repair Kit

OEM NUMBER

NR	OKKS NR	DESCRIPTION	DIMENSION	QTY
1	10052	TAPPET BOOT		1
2	10055	CALIPER HEAD SEAL		1
3	10053	CALIPER HEAD CAP		1

OKKS NUMBER 3763



Caliper Seals & Boots Repair Kit

OEM NUMBER

NR	OKKS NR	DESCRIPTION	DIMENSION	QTY
1	10054	CALIPER HEAD SEAL		5

OKKS NUMBER 3764



Caliper Seals & Caps Repair Kit

OEM NUMBER

NR	OKKS NR	DESCRIPTION	DIMENSION	QTY
1	10052	TAPPET BOOT		1
2	10051	PIN BOOT		2
3	11487	PIN CAP	∅ 34 / 38 MM	1
4	11486	PIN CAP	∅ 34 / 17 MM	1

OKKS NUMBER	3765
-------------	------

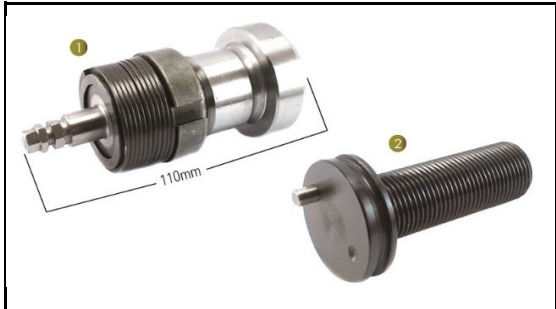


Caliper Caps Repair Kit

OEM NUMBER	
------------	--

NR	OKKS NR	DESCRIPTION	DIMENSION	QTY
1	11487	PIN CAP	Ø 34 / 38 MM	5

OKKS NUMBER	3766
-------------	------



Caliper Adjusting Mechanism (Old Model)

OEM NUMBER	
------------	--

NR	OKKS NR	DESCRIPTION	DIMENSION	QTY
1	11405	MECHANISM SLOT	110 MM	1
2	11159	CALIBRATION BOLT	87 MM	1

OKKS NUMBER	3767
-------------	------



Caliper Adjusting Mechanism (Old Model-Slotted)

OEM NUMBER	
------------	--

NR	OKKS NR	DESCRIPTION	DIMENSION	QTY
1	11405	MECHANISM SLOT	110 MM	1
2	11158	CALIBRATION BOLT	87 MM	1

OKKS NUMBER	3768
-------------	------



Caliper Adjusting Mechanism (Old Model-with Pin)

OEM NUMBER	
------------	--

NR	OKKS NR	DESCRIPTION	DIMENSION	QTY
1	11405	MECHANISM SLOT	110 MM	1
2	11159	CALIBRATION BOLT	87 MM	1
3	11253	ADJUSTING SPRING		1
4	11196	LOCKER RING		1
5	11194	BEVEL WASHER		1
6	11193	WASHER		1
7	11195	BOTTOM WASHER		1
8	11304	CLIPS		1

<b>OKKS NUMBER</b>	3769
--------------------	------



Caliper Adjusting Mechanism (Old Model-Slotted)

<b>OEM NUMBER</b>	
-------------------	--

NR	OKKS NR	DESCRIPTION	DIMENSION	QTY
1	11405	MECHANISM SLOT	110 MM	1
2	11158	CALIBRATION BOLT	87 MM	1
3	11253	ADJUSTING SPRING		1
4	11196	LOCKER RING		1
5	11194	BEVEL WASHER		1
6	11193	WASHER		1
7	11195	BOTTOM WASHER		1
8	11304	CLIPS		1

<b>OKKS NUMBER</b>	3770
--------------------	------



Caliper Adj.Mech. With Guides & Boots Repair Kit (with Pin)

<b>OEM NUMBER</b>	
-------------------	--

NR	OKKS NR	DESCRIPTION	DIMENSION	QTY
1	10052	TAPPET BOOT		1
2	10051	PIN BOOT		2
3	11131	PIN BOLT	M16 x 1.5 / 90 MM	1
4	11010	CALIPER PIN	Ø 30 / 91 MM	1
5	11127	PIN BOLT	M16 x 1.5 / 70 MM	1
6	11008	CALIPER PIN	Ø 30 / 77 MM	1
7	3768	ADJUSTING MECHANISM SET	WITH GROOVE	1
8	11486	PIN CAP	Ø 34 / 17 MM	2
9	11454	PIN BUSH	Ø 30 x 34 / 20 MM	2
10	11455	PIN BUSH	Ø 30 x 34 / 25 MM	1

<b>OKKS NUMBER</b>	3771
--------------------	------



Caliper Adj.Mech. With Guides & Boots Repair Kit (Slotted)

<b>OEM NUMBER</b>	
-------------------	--

NR	OKKS NR	DESCRIPTION	DIMENSION	QTY
1	10052	TAPPET BOOT		1
2	10051	PIN BOOT		2
3	11131	PIN BOLT	M16 x 1.5 / 90 MM	1
4	11010	CALIPER PIN	Ø 30 / 91 MM	1
5	11127	PIN BOLT	M16 x 1.5 / 70 MM	1
6	11008	CALIPER PIN	Ø 30 / 77 MM	1
7	3768	ADJUSTING MECHANISM SET	SLOTTED	1
8	11486	PIN CAP	Ø 34 / 17 MM	2
9	11454	PIN BUSH	Ø 30 x 34 / 20 MM	2
10	11455	PIN BUSH	Ø 30 x 34 / 25 MM	1

<b>OKKS NUMBER</b>	11159
--------------------	-------



Caliper Calibration Bolt (with Pin) 87 mm

<b>OEM NUMBER</b>	
-------------------	--

NR	OKKS NR	DESCRIPTION	DIMENSION	QTY







OKKS NUMBER	3781
-------------	------



Caliper Adjusting Mechanism Repair Kit

OEM NUMBER	
------------	--

NR	OKKS NR	DESCRIPTION	DIMENSION	QTY
1	11253	ADJUSTING SPRING		1
2	11196	LOCKER RING		1
3	11194	BEVEL WASHER		1
4	11193	WASHER		1
5	11195	BOTTOM WASHER		1
6	11304	CLIPS		1

OKKS NUMBER	11410
-------------	-------



Caliper Adjusting Mechanism Housing (Thin)

OEM NUMBER	
------------	--

NR	OKKS NR	DESCRIPTION	DIMENSION	QTY

OKKS NUMBER	3783
-------------	------



Caliper Adjusting Mechanism Housing Repair Kit (Thin)

OEM NUMBER	
------------	--

NR	OKKS NR	DESCRIPTION	DIMENSION	QTY
1	11410	SHAFT HOUSING	THIN	1
2	11254	SPRING		

OKKS NUMBER	11411
-------------	-------



Caliper Adjusting Mechanism Housing (Thin) 87mm (with Pin)

OEM NUMBER	
------------	--

NR	OKKS NR	DESCRIPTION	DIMENSION	QTY

OKKS NUMBER	11412
-------------	-------



Caliper Adjusting Mechanism Housing (Thin) 87mm (Slotted)

OEM NUMBER	
------------	--

NR	OKKS NR	DESCRIPTION	DIMENSION	QTY

OKKS NUMBER	3786
-------------	------



Caliper Adjusting Mechanism Housing (Thin) 76mm (with Pin)

OEM NUMBER	
------------	--

NR	OKKS NR	DESCRIPTION	DIMENSION	QTY
1	11411	CALIPER ADJUSTING MECHANISM SET	WITH PIN	1
2	11254	SPRING		2

OKKS NUMBER	3787
-------------	------



Caliper Adjusting Mechanism Housing (Thin) 76mm (Slotted)

OEM NUMBER	
------------	--

NR	OKKS NR	DESCRIPTION	DIMENSION	QTY
1	11412	CALIPER ADJUSTING MECHANISM SET	SLOTTED	1
2	11254	SPRING		

<b>OKKS NUMBER</b>	3791
--------------------	------



Caliper Guides & Seals Repair Kit

<b>OEM NUMBER</b>	SAF: 3.434.3827.01
-------------------	--------------------

NR	OKKS NR	DESCRIPTION	DIMENSION	QTY
1	10058	TAPPET BOOT		1
2	10059	PIN BOOT	GREEN	2
3	11498	PIN CAP	Ø 42 / 28 MM	2
4	11495	PIN CAP	Ø 42 / 17 MM	1
5	10060	PIN BOOT	WHITE	2
6	10053	CALIPER HEAD CAP		1
7	11197	WASHER		4
8	11478	PIN BUSH	Ø 38 x 42 / 30 MM	3
9	11053	CALIPER PIN	Ø 38 / 118 MM	1
10	11135	PIN BOLT	Ø M16 x 1.5 / 120 MM	1
11	11052	CALIPER PIN	Ø 38 / 76 MM	1
12	11129	PIN BOLT	Ø M16 x 1.5 / 80 MM	1

<b>OKKS NUMBER</b>	3792
--------------------	------



Caliper Guides & Seals Repair Kit

<b>OEM NUMBER</b>	12 999 738 / SAF: 3.434.3827.01 / DAF: 1505890
-------------------	--

NR	OKKS NR	DESCRIPTION	DIMENSION	QTY
1	10058	TAPPET BOOT		1
2	10059	PIN BOOT	GREEN	2
3	11498	PIN CAP	Ø 42 / 28 MM	2
4	11495	PIN CAP	Ø 42 / 17 MM	2
5	10060	PIN BOOT	WHITE	2
6	10053	CALIPER HEAD CAP		1
7	11197	WASHER		4
8	11478	PIN BUSH	Ø 38 x 42 / 30 MM	3
9	11053	CALIPER PIN	Ø 38 / 118 MM	1
10	11135	PIN BOLT	Ø M16 x 1.5 / 120 MM	1
11	11052	CALIPER PIN	Ø 38 / 76 MM	1
12	11129	PIN BOLT	Ø M16 x 1.5 / 80 MM	1

<b>OKKS NUMBER</b>	3793
--------------------	------



Caliper Guides & Seals Repair Kit

<b>OEM NUMBER</b>	12 999 776 / DAF: 1628065 / VOLVO: 85108166 RENAULT: 5001 866 626
-------------------	--

NR	OKKS NR	DESCRIPTION	DIMENSION	QTY
1	10058	TAPPET BOOT		1
2	10059	PIN BOOT	GREEN	2
3	11498	PIN CAP	Ø 42 / 28 MM	1
4	11495	PIN CAP	Ø 42 / 17 MM	1
5	11478	PIN BUSH	Ø 38 x 42 / 30 MM	3
6	11053	CALIPER PIN	Ø 38 / 118 MM	1
7	11129	PIN BOLT	Ø M16 x 1.5 / 80 MM	1
8	11052	CALIPER PIN	Ø 38 / 76 MM	1
9	11135	PIN BOLT	Ø M16 x 1.5 / 120 MM	1
10	11197	WASHER		2

<b>OKKS NUMBER</b>	3794
--------------------	------



Caliper Guides & Seals Repair Kit

<b>OEM NUMBER</b>	
-------------------	--

NR	OKKS NR	DESCRIPTION	DIMENSION	QTY
1	10058	TAPPET BOOT		1
2	10060	PIN BOOT	WHITE	2
3	11052	CALIPER PIN	Ø 38 / 76 MM	1
4	11129	PIN BOLT	Ø M16 x 1.5 / 80 MM	1
5	11053	CALIPER PIN	Ø 38 / 118 MM	1
6	11135	PIN BOLT	Ø M16 x 1.5 / 120 MM	1
7	11478	PIN BUSH	Ø 38 x 42 / 30 MM	3
8	11495	PIN CAP	Ø 42 / 17 MM	1
9	11498	PIN CAP	Ø 42 / 28 MM	1
10	11197	WASHER		2

<b>OKKS NUMBER</b>	3795
--------------------	------



Caliper Guides & Seals Repair Kit

**OEM NUMBER**

NR	OKKS NR	DESCRIPTION	DIMENSION	QTY
1	10058	TAPPET BOOT		1
2	10059	PIN BOOT	GREEN	2
3	11052	CALIPER PIN	Ø 38 / 76 MM	1
4	11129	PIN BOLT	Ø M16 x 1.5 / 80 MM	1
5	11053	CALIPER PIN	Ø 38 / 118 MM	1
6	11135	PIN BOLT	Ø M16 x 1.5 / 120 MM	1
7	11478	PIN BUSH	Ø 38 x 42 / 30 MM	3
8	11495	PIN CAP	Ø 42 / 17 MM	1
9	11498	PIN CAP	Ø 42 / 28 MM	1
10	11197	WASHER		2
11	10055	CALIPER HEAD SEAL		1
12	10053	CALIPER HEAD CAP		1

**OKKS NUMBER**

3796



Caliper Boots & Caps Repair Kit

**OEM NUMBER**

NR	OKKS NR	DESCRIPTION	DIMENSION	QTY
1	10058	TAPPET BOOT		1
2	10059	PIN BOOT	GREEN	2
3	10060	PIN BOOT	WHITE	2
4	11478	PIN BUSH	Ø 38 x 42 / 30 MM	3
5	11495	PIN CAP	Ø 42 / 17 MM	2
6	11498	PIN CAP	Ø 42 / 28 MM	2
7	11197	WASHER		4

**OKKS NUMBER**

3797



Caliper Boots & Caps Repair Kit

**OEM NUMBER**

NR	OKKS NR	DESCRIPTION	DIMENSION	QTY
1	10058	TAPPET BOOT		1
2	10059	PIN BOOT	GREEN	2
3	11197	WASHER		2
4	11478	PIN BUSH	Ø 38 x 42 / 30 MM	3
5	11495	PIN CAP	Ø 42 / 17 MM	1
6	11498	PIN CAP	Ø 42 / 28 MM	1

**OKKS NUMBER**

3798

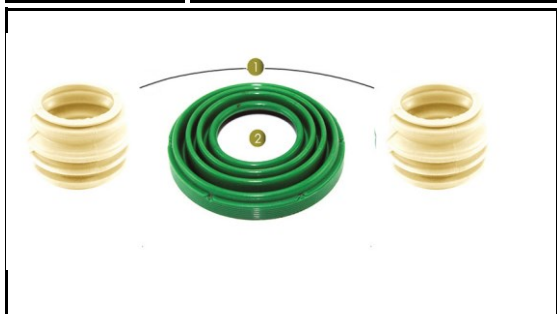


Caliper Guides & Bolts Repair Kit

**OEM NUMBER**

NR	OKKS NR	DESCRIPTION	DIMENSION	QTY
1	11053	CALIPER PIN	Ø 38 / 118 MM	1
2	11052	CALIPER PIN	Ø 38 / 76 MM	1
3	11135	PIN BOLT	Ø M16 x 1.5 / 120 MM	1
4	11129	PIN BOLT	Ø M16 x 1.5 / 80 MM	1
5	11110	CALIPER HEAD BOLT	M10 x 1 / 40 mm	8

<b>OKKS NUMBER</b>	3799
--------------------	------



Caliper Seals & Boots Repair Kit

<b>OEM NUMBER</b>	
-------------------	--

NR	OKKS NR	DESCRIPTION	DIMENSION	QTY
1	10060	PIN BOOT	WHITE	2
2	10058	TAPPET BOOT		1

<b>OKKS NUMBER</b>	3800
--------------------	------



Caliper Tappet Cover Repair Kit

<b>OEM NUMBER</b>	
-------------------	--

NR	OKKS NR	DESCRIPTION	DIMENSION	QTY
1	10059	PIN BOOT	GREEN	2
2	10058	TAPPET BOOT		1

<b>OKKS NUMBER</b>	3801
--------------------	------

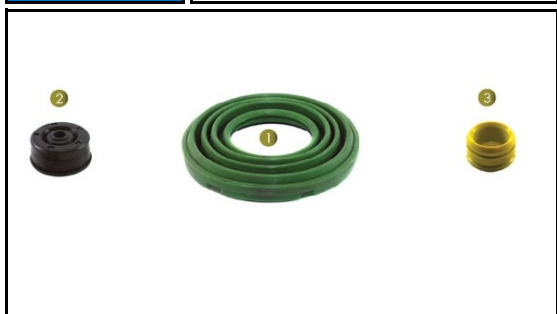


Caliper Guides & Seals Repair Kit

<b>OEM NUMBER</b>	12 999 746
-------------------	------------

NR	OKKS NR	DESCRIPTION	DIMENSION	QTY
1	11478	PIN BUSH	∅ 38 x 42 / 30 MM	3
2	11495	PIN CAP	∅ 42 / 17 MM	1
3	11498	PIN CAP	∅ 42 / 28 MM	1
4	10060	PIN BOOT	WHITE	2
5	3834	CALIPER TAPPET & BOOT		2
6	11053	CALIPER PIN	∅ 38 / 118 MM	1
7	10053	CALIPER HEAD CAP		2
8	11052	CALIPER PIN	∅ 38 / 76 MM	1
9	11135	PIN BOLT	∅ M16 x 1.5 / 120 MM	1
10	11129	PIN BOLT	∅ M16 x 1.5 / 80 MM	1
11	11197	WASHER		2

<b>OKKS NUMBER</b>	3762
--------------------	------

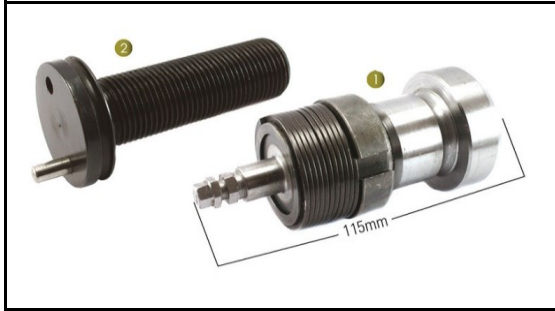


Caliper Seals & Boots Repair Kit

<b>OEM NUMBER</b>	
-------------------	--

NR	OKKS NR	DESCRIPTION	DIMENSION	QTY
1	10058	TAPPET BOOT		1
2	10055	CALIPER HEAD SEAL		1
3	10053	CALIPER HEAD CAP		1

OKKS NUMBER	3802
-------------	------



Caliper Adjusting Mechanism (New Model-with Pin)

OEM NUMBER	
------------	--

NR	OKKS NR	DESCRIPTION	DIMENSION	QTY
1	11406	ADJUSTING MECHANISM SLOT	115 MM	1
2	11161	CALIBRATION BOLT	91 MM	1

OKKS NUMBER	3803
-------------	------



Caliper Adjusting Mechanism (New Model-Slotted)

OEM NUMBER	
------------	--

NR	OKKS NR	DESCRIPTION	DIMENSION	QTY
1	11406	ADJUSTING MECHANISM SLOT	115 MM	1
2	11160	CALIBRATION BOLT	91 MM	1

OKKS NUMBER	3804
-------------	------



Caliper Adjusting Mechanism (New Model-with Pin)

OEM NUMBER	
------------	--

NR	OKKS NR	DESCRIPTION	DIMENSION	QTY
1	11406	ADJUSTING MECHANISM SLOT	115 MM	1
2	11161	CALIBRATION BOLT	91 MM	1
3	11253	ADJUSTING SPRING		1
4	11196	LOCKER RING		1
5	11194	BEVEL WASHER		1
6	11193	WASHER		1
7	11195	BOTTOM WASHER		1
8	11304	CLIPS		1

OKKS NUMBER	3805
-------------	------



Caliper Adjusting Mechanism (New Model-Slotted)

OEM NUMBER	
------------	--

NR	OKKS NR	DESCRIPTION	DIMENSION	QTY
1	11406	ADJUSTING MECHANISM SLOT	115 MM	1
2	11160	CALIBRATION BOLT	91 MM	1
3	11253	ADJUSTING SPRING		1
4	11196	LOCKER RING		1
5	11194	BEVEL WASHER		1
6	11193	WASHER		1
7	11195	BOTTOM WASHER		1
8	11304	CLIPS		1





<b>OKKS NUMBER</b>	3774
--------------------	------



Caliper Roller Bearings

<b>OEM NUMBER</b>	
-------------------	--

NR	OKKS NR	DESCRIPTION	DIMENSION	QTY
1	11286	CALIPER NEEDLE BEARING		2

<b>OKKS NUMBER</b>	11380
--------------------	-------



Caliper Lever & Pin Repair Kit

<b>OEM NUMBER</b>	
-------------------	--

NR	OKKS NR	DESCRIPTION	DIMENSION	QTY

<b>OKKS NUMBER</b>	3776
--------------------	------



Caliper Joint & Seals Repair Kit

<b>OEM NUMBER</b>	
-------------------	--

NR	OKKS NR	DESCRIPTION	DIMENSION	QTY
1	10057	CALIPER HEAD GASKET		1
2	10055	CALIPER HEAD SEAL		1
3	10053	CALIPER HEAD CAP		1

<b>OKKS NUMBER</b>	3810
--------------------	------



Caliper Joint & Seals Repair Kit

<b>OEM NUMBER</b>	
-------------------	--

NR	OKKS NR	DESCRIPTION	DIMENSION	QTY
1	10057	CALIPER HEAD GASKET		1
2	10055	CALIPER HEAD SEAL		1
3	10053	CALIPER HEAD CAP		1
4	10054	CALIPER HEAD SEAL		1

<b>OKKS NUMBER</b>	3811
--------------------	------



Caliper Tappet Cover Repair Kit

<b>OEM NUMBER</b>	
-------------------	--

NR	OKKS NR	DESCRIPTION	DIMENSION	QTY
1	10058	TAPPET BOOT		1
2	10059	PIN BOOT	GREEN	2
3	10060	PIN BOOT	WHITE	2

<b>OKKS NUMBER</b>	3812
--------------------	------



Caliper Tappet Cover Repair Kit

<b>OEM NUMBER</b>	
-------------------	--

NR	OKKS NR	DESCRIPTION	DIMENSION	QTY
1	10058	TAPPET BOOT		1
2	10059	PIN BOOT	GREEN	2
3	10060	PIN BOOT	WHITE	2
4	11197	WASHER		4
5	10053	CALIPER HEAD CAP		1

<b>OKKS NUMBER</b>	3813
--------------------	------



Caliper Tappet Cover Repair Kit

<b>OEM NUMBER</b>	
-------------------	--

NR	OKKS NR	DESCRIPTION	DIMENSION	QTY
1	10058	TAPPET BOOT		1
2	10059	PIN BOOT	GREEN	2
3	11197	WASHER		2

<b>OKKS NUMBER</b>	3814
--------------------	------



Caliper Tappet Cover Repair Kit

<b>OEM NUMBER</b>	
-------------------	--

NR	OKKS NR	DESCRIPTION	DIMENSION	QTY
1	10058	TAPPET BOOT		1
2	10060	PIN BOOT	WHITE	2
3	11197	WASHER		2





OKKS NUMBER	11415
-------------	-------



Caliper Adjusting Mechanism Housing (Thick) 91 mm (Slotted)

OEM NUMBER	
------------	--

NR	OKKS NR	DESCRIPTION	DIMENSION	QTY

OKKS NUMBER	3823
-------------	------



Caliper Adjusting Mechanism Housing (Thick) 91 mm (with Pin)

OEM NUMBER	
------------	--

NR	OKKS NR	DESCRIPTION	DIMENSION	QTY

1	11414	CALIPER ADJUSTING MECHANISM SET	WITH PIN 91 MM	1
2	11254	SPRING		2

OKKS NUMBER	3824
-------------	------



Caliper Adjusting Mechanism Housing (Thick) 91 mm (Slotted)

OEM NUMBER	
------------	--

NR	OKKS NR	DESCRIPTION	DIMENSION	QTY

1	11415	CALIPER ADJUSTING MECHANISM SET	SLOTTED 91 MM	1
2	11254	SPRING		2

<b>OKKS NUMBER</b>	3801
--------------------	------



Caliper Guides & Seals Repair Kit

<b>OEM NUMBER</b>	12 999 746
-------------------	------------

NR	OKKS NR	DESCRIPTION	DIMENSION	QTY
1	11478	PIN BUSH	Ø 38 x 42 / 30 MM	3
2	11495	PIN CAP	Ø 42 / 17 MM	1
3	11498	PIN CAP	Ø 42 / 28 MM	1
4	10060	PIN BOOT	WHITE	2
5	3834	CALIPER TAPPET & BOOT		2
6	11053	CALIPER PIN	Ø 38 / 118 MM	1
7	10053	CALIPER HEAD CAP		2
8	11052	CALIPER PIN	Ø 38 / 76 MM	1
9	11135	PIN BOLT	Ø M16 x 1.5 / 120 MM	1
10	11129	PIN BOLT	Ø M16 x 1.5 / 80 MM	1
11	11197	WASHER		2

<b>OKKS NUMBER</b>	3830
--------------------	------



Caliper Guides & Seals Repair Kit

<b>OEM NUMBER</b>	12 999 678 / DAF: 865966 / RENAULT: 5021170488
-------------------	--

NR	OKKS NR	DESCRIPTION	DIMENSION	QTY
1	11478	PIN BUSH	Ø 38 x 42 / 30 MM	3
2	10061	PIN BELLOW CAP		1
3	11495	PIN CAP	Ø 42 / 17 MM	1
4	10060	PIN BOOT	WHITE	2
5	11055	CALIPER PIN	Ø 38 / 128 MM	1
6	11051	CALIPER PIN	Ø 38 / 70 MM	1
7	11137	PIN BOLT	Ø M16 x 1.5 / 130 MM	1
8	11129	PIN BOLT	Ø M16 x 1.5 / 80 MM	1
9	11197	WASHER		2
10	11522	RING	Ø 42 x 57 x 11 MM	1

<b>OKKS NUMBER</b>	3831
--------------------	------



Caliper Piston & Seals Repair Kit

<b>OEM NUMBER</b>	12 999 677
-------------------	------------

NR	OKKS NR	DESCRIPTION	DIMENSION	QTY
1	3834	CALIPER TAPPET & BOOT		2
2	11129	PIN BOLT	Ø M16 x 1.5 / 80 MM	1
3	11137	PIN BOLT	Ø M16 x 1.5 / 130 MM	1
4	10060	PIN BOOT	WHITE	2
5	11197	WASHER		2
6	10061	PIN BELLOW CAP		1
7	11522	RING	Ø 42 x 57 x 11 MM	1
8	11495	PIN CAP	Ø 42 / 17 MM	1
9	10053	CALIPER HEAD CAP		2

<b>OKKS NUMBER</b>	3832
--------------------	------



Caliper Tappet Cover Repair Kit

<b>OEM NUMBER</b>	
-------------------	--

NR	OKKS NR	DESCRIPTION	DIMENSION	QTY
1	3834	CALIPER TAPPET & BOOT		2
2	10060	PIN BOOT	WHITE	2

OKKS NUMBER	3833
-------------	------



Caliper Guides & Seals Repair Kit

OEM NUMBER	
------------	--

NR	OKKS NR	DESCRIPTION	DIMENSION	QTY
1	11053	CALIPER PIN	Ø 38 / 118 MM	1
2	11052	CALIPER PIN	Ø 38 / 76 MM	1
3	11135	PIN BOLT	Ø M16 x 1.5 / 120 MM	1
4	11129	PIN BOLT	Ø M16 x 1.5 / 80 MM	1
5	3834	CALIPER TAPPET & BOOT		2
6	10060	PIN BOOT	WHITE	2
7	10053	CALIPER HEAD CAP		2

OKKS NUMBER	3834
-------------	------



Caliper Piston Repair Kit

OEM NUMBER	
------------	--

NR	OKKS NR	DESCRIPTION	DIMENSION	QTY
1	10062	TAPPET BOOT		1
2	11954	TAPPET		1
3	11305	CLIPS		1

OKKS NUMBER	3835
-------------	------



Caliper Guides & Seals Repair Kit

OEM NUMBER	
------------	--

NR	OKKS NR	DESCRIPTION	DIMENSION	QTY
1	11478	PIN BUSH	Ø 38 x 42 / 30 MM	3
3	11495	PIN CAP	Ø 42 / 17 MM	1
3	11135	PIN BOLT	Ø M16 x 1.5 / 120 MM	1
4	10060	PIN BOOT	WHITE	2
5	11053	CALIPER PIN	Ø 38 / 118 MM	1
6	11052	CALIPER PIN	Ø 38 / 76 MM	1
7	11135	PIN BOLT	Ø M16 x 1.5 / 120 MM	1
8	11129	PIN BOLT	Ø M16 x 1.5 / 80 MM	1

OKKS NUMBER	3836
-------------	------



Caliper Guides & Bolts Repair Kit

OEM NUMBER	
------------	--

NR	OKKS NR	DESCRIPTION	DIMENSION	QTY
1	11478	PIN BUSH	Ø 38 x 42 / 30 MM	3
2	11053	CALIPER PIN	Ø 38 / 118 MM	1
3	11052	CALIPER PIN	Ø 38 / 76 MM	1
4	11129	PIN BOLT	Ø M16 x 1.5 / 80 MM	1
5	11135	PIN BOLT	Ø M16 x 1.5 / 120 MM	1

OKKS NUMBER	3762
-------------	------



Caliper Seals & Boots Repair Kit

OEM NUMBER	
------------	--

NR	OKKS NR	DESCRIPTION	DIMENSION	QTY
1	10058	TAPPET BOOT		1
2	10055	CALIPER HEAD SEAL		1
3	10053	CALIPER HEAD CAP		1

OKKS NUMBER	11162
-------------	-------



Caliper Calibration Bolt (Right)

OEM NUMBER	
------------	--

NR	OKKS NR	DESCRIPTION	DIMENSION	QTY

OKKS NUMBER	11163
-------------	-------



Caliper Calibration Bolt (Left)

OEM NUMBER	
------------	--

NR	OKKS NR	DESCRIPTION	DIMENSION	QTY

OKKS NUMBER	3839
-------------	------



Caliper Calibration Bolt (Right)

OEM NUMBER	
------------	--

NR	OKKS NR	DESCRIPTION	DIMENSION	QTY
1	11162	CALIPER CALIBRATION BOLT	R	1
2	11164	CALIBRATION BOLT LOCKING PLATE		1
3	11306	CALIBRATION BOLT RING		1





OKKS NUMBER	3844
-------------	------



Caliper Joint & Seals Repair Kit

OEM NUMBER	
------------	--

NR	OKKS NR	DESCRIPTION	DIMENSION	QTY
1	11745	CALIPER HEAD GASKET		1
2	10053	CALIPER HEAD CAP		2
3	10055	CALIPER HEAD SEAL		2

OKKS NUMBER	3845
-------------	------



Caliper Joint, Seals & Bolt Repair Kit

OEM NUMBER	
------------	--

NR	OKKS NR	DESCRIPTION	DIMENSION	QTY
1	11745	CALIPER HEAD GASKET		1
2	10053	CALIPER HEAD CAP		2
3	10055	CALIPER HEAD SEAL		2
4	11110	CALIPER HEAD BOLT	Ø M10 x 1 / 40 MM	2
5	11125	BOLT	Ø M16 x 1.5 / 40 MM	5

OKKS NUMBER	11745
-------------	-------

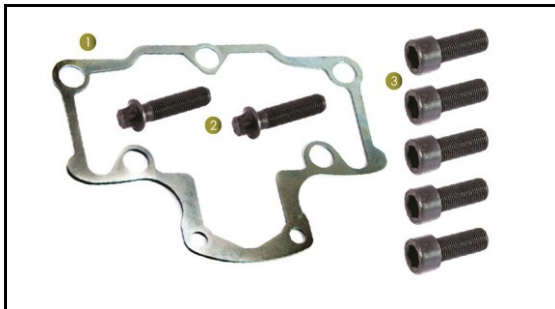


Caliper Joint Repair Kit

OEM NUMBER	
------------	--

NR	OKKS NR	DESCRIPTION	DIMENSION	QTY

OKKS NUMBER	3847
-------------	------

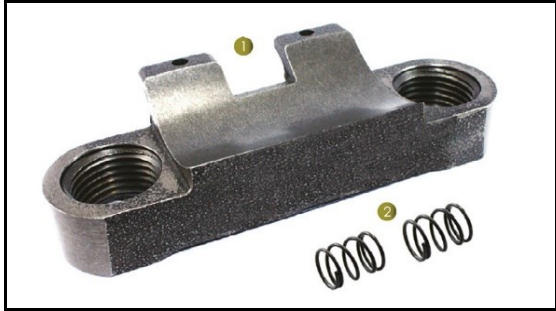


Caliper Joint & Bolts Repair Kit

OEM NUMBER	
------------	--

NR	OKKS NR	DESCRIPTION	DIMENSION	QTY
1	11745	CALIPER HEAD GASKET		1
2	11110	CALIPER HEAD BOLT	Ø M10 x 1 / 40 MM	2
3	11125	BOLT	Ø M16 x 1.5 / 40 MM	5

OKKS NUMBER	3848
-------------	------



Caliper Bridge Assembly

OEM NUMBER	
------------	--

NR	OKKS NR	DESCRIPTION	DIMENSION	QTY
1	11416	CALIPER SHAFT HOUSING		1
2	11271	SPRING		2

OKKS NUMBER	3849
-------------	------



Caliper Bridge Assembly

OEM NUMBER	
------------	--

NR	OKKS NR	DESCRIPTION	DIMENSION	QTY
1	11416	CALIPER SHAFT HOUSING		1
2	11162	CALIPER CALIBRATION BOLT	R	1
3	11163	CALIPER CALIBRATION BOLT	L	1
4	11271	SPRING		2

OKKS NUMBER	3850
-------------	------



Caliper Bridge Assembly Set

OEM NUMBER	
------------	--

NR	OKKS NR	DESCRIPTION	DIMENSION	QTY
1	11416	CALIPER SHAFT HOUSING		1
2	11162	CALIPER CALIBRATION BOLT	R	1
3	11163	CALIPER CALIBRATION BOLT	L	1
4	11271	SPRING		2
5	11164	CALIBRATION BOLT LOCKING PLATE		2
6	11306	CALIBRATION BOLT RING		2

OKKS NUMBER	3851
-------------	------



Caliper Gear (Left)

OEM NUMBER	
------------	--

NR	OKKS NR	DESCRIPTION	DIMENSION	QTY
1	11736	MECHANISM GEAR	R	2



<b>OKKS NUMBER</b>	3856
--------------------	------



Caliper Gear Wheel Adj. Mech. Repair Kit

<b>OEM NUMBER</b>	
-------------------	--

NR	OKKS NR	DESCRIPTION	DIMENSION	QTY
1	11736	MECHANISM GEAR	RIGHT	1
2	11737	MECHANISM GEAR	LEFT	1
3	11272	SPRING		2
4	10055	CALIPER HEAD SEAL		2
5	11738	MECHANISM PIN		2
6	11186	WASHER		4
7	11311	CIRCLIP		2

<b>OKKS NUMBER</b>	3857
--------------------	------

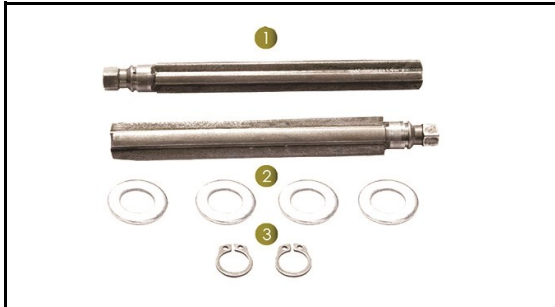


Caliper Adjusting Mechanism Repair Kit

<b>OEM NUMBER</b>	
-------------------	--

NR	OKKS NR	DESCRIPTION	DIMENSION	QTY
1	11738	MECHANISM PIN		2
2	11272	SPRING		2
3	10055	CALIPER HEAD SEAL		2
4	11186	WASHER		4
5	11311	CIRCLIP		2

<b>OKKS NUMBER</b>	3858
--------------------	------



Caliper Adjusting Mechanism Repair Kit

<b>OEM NUMBER</b>	
-------------------	--

NR	OKKS NR	DESCRIPTION	DIMENSION	QTY
1	11738	MECHANISM PIN		2
2	11186	WASHER		4
3	11311	CIRCLIP		2

<b>OKKS NUMBER</b>	11399
--------------------	-------



Caliper Lever

<b>OEM NUMBER</b>	
-------------------	--

NR	OKKS NR	DESCRIPTION	DIMENSION	QTY

<b>OKKS NUMBER</b>	3860
--------------------	------



Caliper Lever

<b>OEM NUMBER</b>	
-------------------	--

NR	OKKS NR	DESCRIPTION	DIMENSION	QTY
1	11399	CALIPER LEVER		1
2	3482	ROLLER BEARING		2
3	3841	ROLLER BEARING		2

<b>OKKS NUMBER</b>	11400
--------------------	-------

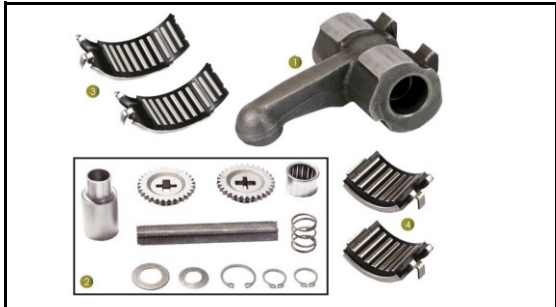


Caliper Lever Repair Kit

<b>OEM NUMBER</b>	
-------------------	--

NR	OKKS NR	DESCRIPTION	DIMENSION	QTY

<b>OKKS NUMBER</b>	3862
--------------------	------



Caliper Lever Repair Kit

<b>OEM NUMBER</b>	
-------------------	--

NR	OKKS NR	DESCRIPTION	DIMENSION	QTY
1	11399	CALIPER LEVER		1
2	3863	LEVER REPAIR KIT		1
3	3482	ROLLER BEARING		2
4	3841	ROLLER BEARING		2

<b>OKKS NUMBER</b>	3863
--------------------	------



Caliper Lever Repair Kit

<b>OEM NUMBER</b>	
-------------------	--

NR	OKKS NR	DESCRIPTION	DIMENSION	QTY
1	11742	LEVER GEAR		2
2	11740	LEVER PIN		1
3	11741	BEARING		1
4	11273	SPRING		1
5	11312	CIRCLIP		2
6	11311	CIRCLIP		1
7	11188	WASHER		1
8	11187	WASHER		1
9	11740	MECHANISM		1



OKKS NUMBER 3871



Caliper Guides & Seals Repair Kit

OEM NUMBER 6403229262

NR	OKKS NR	DESCRIPTION	DIMENSION	QTY
1	10059	PIN BOOT	GREEN	2
2	10058	TAPPET BOOT		1
3	11197	WASHER		2
4	11053	CALIPER PIN	Ø 38 / 118 MM	1
5	11052	CALIPER PIN	Ø 38 / 76 MM	1
6	11135	PIN BOLT	Ø M16 x 1.5 / 120 MM	1
7	11129	PIN BOLT	Ø M16 x 1.5 / 80 MM	1
8	11495	PIN CAP	Ø 42 / 17 MM	1
9	11481	PIN BUSH	Ø 42 x 38.8 / 35 MM	3
10	10053	CALIPER HEAD CAP		1

OKKS NUMBER 3872



Caliper Seals & Caps Repair Kit

OEM NUMBER

NR	OKKS NR	DESCRIPTION	DIMENSION	QTY
1	10058	TAPPET BOOT		1
2	10059	PIN BOOT	GREEN	2
3	10053	CALIPER HEAD CAP		1
4	11495	PIN CAP	Ø 42 / 17 MM	1
5	11197	WASHER		2
6	11481	PIN BUSH	Ø 42 x 38.8 / 35 MM	3

OKKS NUMBER 3873



Caliper Sealing Set

OEM NUMBER 6403229322

NR	OKKS NR	DESCRIPTION	DIMENSION	QTY
1	10058	TAPPET BOOT		1
2	10053	CALIPER HEAD CAP		1

OKKS NUMBER 3800



Caliper Seals & Boots Repair Kit

OEM NUMBER

NR	OKKS NR	DESCRIPTION	DIMENSION	QTY
1	10059	PIN BOOT	GREEN	2
2	10058	TAPPET BOOT		1



OKKS NUMBER 3874



Caliper Adjusting Mechanism

OEM NUMBER

NR	OKKS NR	DESCRIPTION	DIMENSION	QTY
1	11417	MECHANISM SLOT		1
2	17089	CALIBRATION BOLT		1
3	11528	TORSION SPRING RING	THIN	1
4	11618	MECHANIM GEAR		1
5	11527	MECHANISM SHIELD		1
6	11750	CALIBRATION BOLT SEAL		1
7	11255	TORSION SPRING		1
8	11315	CLIPS	SMALL	1
9	11200	WASHER		1
10	11198	BEVEL WASHER	SMALL	3
11	11199	BEVEL WASHER	BIG	1
12	11314	CLIPS	BIG	1
13	11529	TORSION SPRING RING	THICK	1

OKKS NUMBER 3875



Caliper Adjusting Repair Kit

OEM NUMBER

NR	OKKS NR	DESCRIPTION	DIMENSION	QTY
1	11619	ADJUSTER GEAR		1
2	11620	ADJUSTER SHAFT		1
3	11751	HEAD SEAL		1
4	10053	HEAD CAP		1

OKKS NUMBER 11165



Caliper Calibration Bolt (with Pin)

OEM NUMBER

NR	OKKS NR	DESCRIPTION	DIMENSION	QTY

OKKS NUMBER 3774



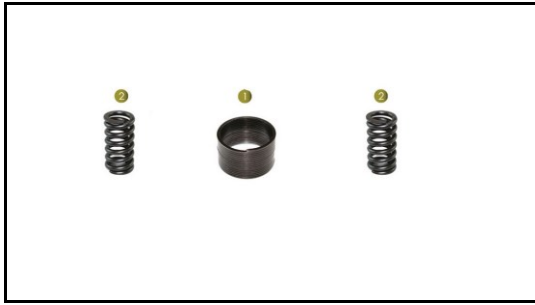
Caliper Roller Bearings

OEM NUMBER

NR	OKKS NR	DESCRIPTION	DIMENSION	QTY
1	11286	CALIPER NEEDLE BEARING		2



OKKS NUMBER	3882
-------------	------



Caliper Spring Kit

OEM NUMBER	
------------	--

NR	OKKS NR	DESCRIPTION	DIMENSION	QTY
1	11255	MECHANISM TORSION SPRING		1
2	11254	SHAFT HOUSING SPRING		2

OKKS NUMBER	3883
-------------	------



Caliper Adj. Mechanism Clutch System Repair Kit

OEM NUMBER	
------------	--

NR	OKKS NR	DESCRIPTION	DIMENSION	QTY
1	11198	BEVEL WASHER	SMALL	3
2	11200	WASHER		1
3	11199	BEVEL WASHER	BIG	1
4	11314	CLIPS	BIG	1
5	11315	CLIPS	SMALL	1

OKKS NUMBER	3884
-------------	------



Caliper Seal & Cap Repair Kit

OEM NUMBER	
------------	--

NR	OKKS NR	DESCRIPTION	DIMENSION	QTY
1	11527	MECHANISM SHIELD		1
2	11750	CALIBRATION BOLT SEAL		1

OKKS NUMBER	3885
-------------	------



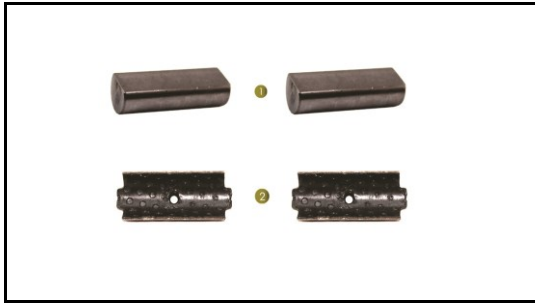
Caliper Cap Repair Kit

OEM NUMBER	
------------	--

NR	OKKS NR	DESCRIPTION	DIMENSION	QTY
	11527	MECHANISM SHIELD		5



<b>OKKS NUMBER</b>	3890
--------------------	------

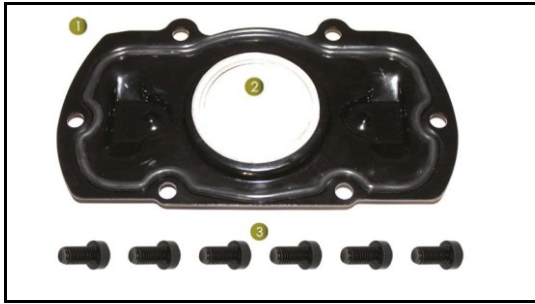


Caliper Roller & Bearing

<b>OEM NUMBER</b>	
-------------------	--

NR	OKKS NR	DESCRIPTION	DIMENSION	QTY
1	11542	ROLLER BEARING		2
2	11541	LEVER BEARING		2

<b>OKKS NUMBER</b>	3891
--------------------	------

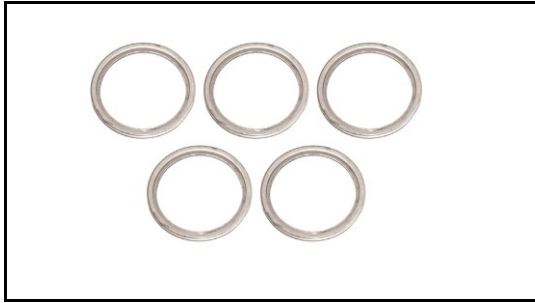


Caliper Cover

<b>OEM NUMBER</b>	W 897 290 2612
-------------------	----------------

NR	OKKS NR	DESCRIPTION	DIMENSION	QTY
1	11752	CALIPER COVER		1
2	11749	COVER SEAL		1
3	11104	BOLT	M8 x 1.25 / 16 mm	6

<b>OKKS NUMBER</b>	3892
--------------------	------



Caliper Cover Seal Set

<b>OEM NUMBER</b>	
-------------------	--

NR	OKKS NR	DESCRIPTION	DIMENSION	QTY
1	11749	COVER SEAL		5

<b>OKKS NUMBER</b>	3893
--------------------	------



Caliper Pad Retainer Repair Kit

<b>OEM NUMBER</b>	
-------------------	--

NR	OKKS NR	DESCRIPTION	DIMENSION	QTY

<b>OKKS NUMBER</b>	3901
--------------------	------



Caliper Guides & Seals Repair Kit

<b>OEM NUMBER</b>	6402229282
-------------------	------------

NR	OKKS NR	DESCRIPTION	DIMENSION	QTY
1	11053	CALIPER PIN	∅ 38 / 118 MM	1
2	11052	CALIPER PIN	∅ 38 / 76 MM	1
3	11129	PIN BOLT	M16 x 1.5 / 80 mm	2
4	10058	TAPPET		1
5	10102	PIN BOOT		2
6	11495	PIN CAP	∅ 42 / 17 mm	2
7	11478	PIN BUSH	∅ 38 x 42 / 30 mm	3
8	10053	CALIPER HEAD CAP		1

<b>OKKS NUMBER</b>	3902
--------------------	------



Caliper Seals & Caps Repair Kit

<b>OEM NUMBER</b>	
-------------------	--

NR	OKKS NR	DESCRIPTION	DIMENSION	QTY
1	10102	PIN BOOT		2
2	10053	CALIPER HEAD CAP		1
3	10058	TAPPET BOOT		1
4	11478	PIN BUSH	∅ 38 x 42 / 30 mm	3
5	11495	PIN CAP	∅ 42 / 17 mm	2

<b>OKKS NUMBER</b>	3762
--------------------	------

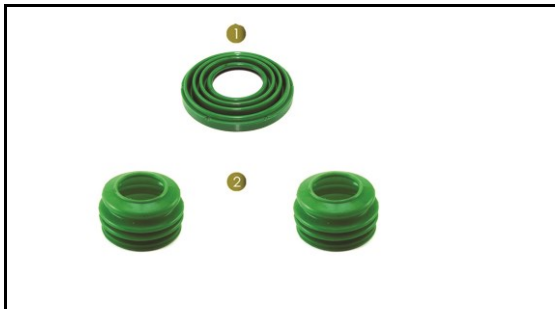


Caliper Seals & Boots Repair Kit

<b>OEM NUMBER</b>	
-------------------	--

NR	OKKS NR	DESCRIPTION	DIMENSION	QTY
1	10052	TAPPET BOOT		1
2	10055	CALIPER HEAD SEAL		1
3	10053	CALIPER HEAD CAP		1

<b>OKKS NUMBER</b>	3904
--------------------	------



Caliper Seals & Boots Repair Kit

<b>OEM NUMBER</b>	
-------------------	--

NR	OKKS NR	DESCRIPTION	DIMENSION	QTY
1	10058	TAPPET BOOT		1
2	10102	PIN BOOT		2

<b>OKKS NUMBER</b>	3905
--------------------	------



Caliper Adjusting Mechanism Repair Kit

<b>OEM NUMBER</b>	
-------------------	--

NR	OKKS NR	DESCRIPTION	DIMENSION	QTY
1	11419	ADJUSTING MECHANISM SLOT		1
2	11166	CALIBRATION BOLT		1
3	11198	BEVEL WASHER	SMALL	3
4	11255	MECHANISM TORSION SPRING		1
5	11528	MECHANISM TORSION SPRING	THIN	1
6	11529	MECHANISM TORSION SPRING	THICK	1
7	11200	WASHER		1
8	11199	BEVEL WASHER	BIG	1
9	11315	CLIPS	SMALL	1
10	11201	MECHANISM TRIANGLE WASHER		1
11	11314	CLIPS	BIG	1

<b>OKKS NUMBER</b>	3906
--------------------	------



Caliper Adjusting Mechanism Repair Kit

<b>OEM NUMBER</b>	
-------------------	--

NR	OKKS NR	DESCRIPTION	DIMENSION	QTY
1	11419	ADJUSTING MECHANISM SLOT		1
2	11166	CALIBRATION BOLT		1
3	11255	MECHANISM TORSION SPRING		1
4	11528	MECHANISM TORSION SPRING	THIN	1
5	11529	MECHANISM TORSION SPRING	THICK	1

<b>OKKS NUMBER</b>	11166
--------------------	-------



Caliper Calibration Bolt (with Pin)

<b>OEM NUMBER</b>	
-------------------	--

NR	OKKS NR	DESCRIPTION	DIMENSION	QTY

<b>OKKS NUMBER</b>	3774
--------------------	------



Caliper Roller Bearings

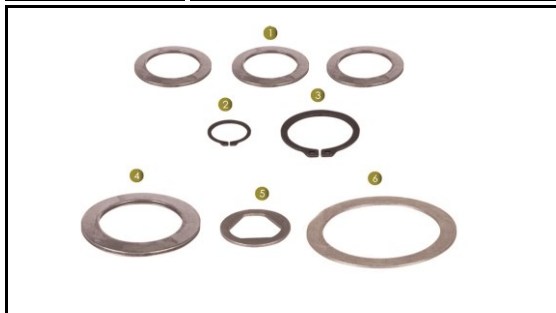
<b>OEM NUMBER</b>	
-------------------	--

NR	OKKS NR	DESCRIPTION	DIMENSION	QTY
1	11286	CALIPER NEEDLE BEARING		2





<b>OKKS NUMBER</b>	3911
--------------------	------



Caliper Adjusting Mechanism Clutch System Repair Kit

<b>OEM NUMBER</b>	
-------------------	--

NR	OKKS NR	DESCRIPTION	DIMENSION	QTY
1	11198	BEVEL WASHER	SMALL	3
2	11315	CLIPS	SMALL	1
3	11314	CLIPS	BIG	1
4	11199	BEVEL WASHER	BIG	1
5	11201	MECHANISM TRIANGLE WASHER		1
6	11200	WASHER		1

<b>OKKS NUMBER</b>	3912
--------------------	------



Caliper Adjusting Mechanism Housing Repair Kit

<b>OEM NUMBER</b>	
-------------------	--

NR	OKKS NR	DESCRIPTION	DIMENSION	QTY
1	11420	SHAFT HOSUING		1
2	11254	SPRING		2

<b>OKKS NUMBER</b>	11420
--------------------	-------

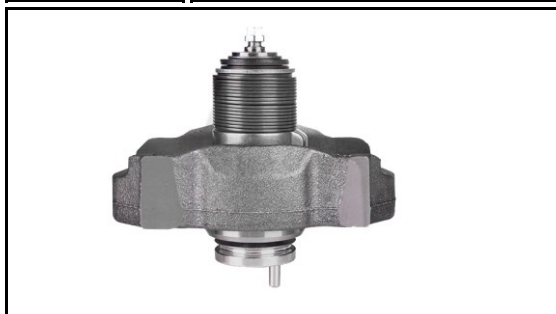


Caliper Adjusting Mechanism Housing Repair Kit

<b>OEM NUMBER</b>	
-------------------	--

NR	OKKS NR	DESCRIPTION	DIMENSION	QTY

<b>OKKS NUMBER</b>	3914
--------------------	------



Caliper Adjusting Mechanism Repair Kit (with Pin)

<b>OEM NUMBER</b>	
-------------------	--

NR	OKKS NR	DESCRIPTION	DIMENSION	QTY

**OKKS NUMBER** 3915



Caliper Cover

**OEM NUMBER**

NR	OKKS NR	DESCRIPTION	DIMENSION	QTY
1	11756	CALIPER COVER		1
2	11104	BOLT	M8 x 1.25 / 16 mm	6

<b>OKKS NUMBER</b>	3921
--------------------	------



Caliper Guides & Seals Repair Kit

<b>OEM NUMBER</b>	12 999 734VT / MERC: 000 420 0982
-------------------	-----------------------------------

NR	OKKS NR	DESCRIPTION	DIMENSION	QTY
1	11035	CALIPER PIN	Ø 35 / 110 MM	1
2	11027	CALIPER PIN	Ø 34.8 / 85 MM	1
3	11134	PIN BOLT	Ø M16 x 1.5 / 110 MM	2
4	11465	PIN BUSH	Ø 35 x 39 / 20 MM	4
5	11495	PIN CAP	Ø 42 / 17 MM	2
6	10103	PIN BOOT		2

<b>OKKS NUMBER</b>	3922
--------------------	------



Caliper Seals & Boots Repair Kit

<b>OEM NUMBER</b>	
-------------------	--

NR	OKKS NR	DESCRIPTION	DIMENSION	QTY
1	10025	TAPPET BOOT		1
2	10103	PIN BOOT		2

<b>OKKS NUMBER</b>	3923
--------------------	------



Caliper Seals & Boots Repair Kit

<b>OEM NUMBER</b>	
-------------------	--

NR	OKKS NR	DESCRIPTION	DIMENSION	QTY
1	10025	TAPPET BOOT		1
2	10103	PIN BOOT		2
3	10098	SEAL		1
4	11668	SEAL	Ø 42 x 56 / 6 mm	1
5	10032	PLUG		1
6	11104	BOLT	M8*1,25-16 mm	1
7	11270	SPRING		1
8	11669	SEAL	Ø 40 x 57 / 6 mm	1

<b>OKKS NUMBER</b>	3924
--------------------	------



Caliper Adj. Mechanism Clutch System Repair Kit

<b>OEM NUMBER</b>	
-------------------	--

NR	OKKS NR	DESCRIPTION	DIMENSION	QTY
1	11316	CLIPS		1
2	10098	SPLINE SHAFT SEAL		1
3	11669	BEVEL SEAL		1
4	11668	SPLINE SHAFT COVER		1
5	11190	WASHER		1
6	11296	TRUST BEARING		1
7	11189	TRUST WASHER		2

<b>OKKS NUMBER</b>	11617
--------------------	-------



Caliper Push Plate

<b>OEM NUMBER</b>	
-------------------	--

NR	OKKS NR	DESCRIPTION	DIMENSION	QTY

<b>OKKS NUMBER</b>	3926
--------------------	------



Caliper Piston Repair Kit (Left)

<b>OEM NUMBER</b>	
-------------------	--

NR	OKKS NR	DESCRIPTION	DIMENSION	QTY
1	11422	PISTON	L	1
2	11114	BOLT	Ø M12 x 1.5 / 50 MM	4
3	11757	SOCKET PIN		1
4	11203	SOCKET PLUG		1
5	11270	SPRING		1
6	11323	SPRING		1
7	11102	BOLT		1
8	10025	PISTON BOOT		1

<b>OKKS NUMBER</b>	3927
--------------------	------



Caliper Piston Repair Kit (Right)

<b>OEM NUMBER</b>	
-------------------	--

NR	OKKS NR	DESCRIPTION	DIMENSION	QTY
1	11421	PISTON	R	1
2	11114	BOLT	Ø M12 x 1.5 / 50 MM	4
3	11757	SOCKET PIN		1
4	11203	SOCKET PLUG		1
5	11270	SPRING		1
6	11323	SPRING		1
7	11102	BOLT		1
8	10025	PISTON BOOT		1

<b>OKKS NUMBER</b>	3928
--------------------	------



Caliper Adjusting Mechanism Repair Kit (Left)

<b>OEM NUMBER</b>	
-------------------	--

NR	OKKS NR	DESCRIPTION	DIMENSION	QTY
1	11422	PISTON	LEFT	1
2	11621	SPLINE SHAFT MECHANISM	LEFT	1
3	11757	SOCKET PIN		1
4	10032	PLUG		1
5	11203	SOCKET PLUG		1
6	11323	SPRING		1
7	11102	BOLT		1
8	11465	PIN BUSH	Ø 35 x 39 / 20 MM	3
9	11035	CALIPER PIN	Ø 35 / 110 MM	1
10	11027	CALIPER PIN	Ø 34.8 / 85 MM	1
11	11134	PIN BOLT	Ø M16 x 1.5 / 110 MM	2
12	11495	PIN CAP	Ø 42 / 17 MM	2
13	10025	PISTON BOOT		1
14	10103	PIN BOOT		2

<b>OKKS NUMBER</b>	3929
--------------------	------



Caliper Adjusting Mechanism Repair Kit (Right)

<b>OEM NUMBER</b>	
-------------------	--

NR	OKKS NR	DESCRIPTION	DIMENSION	QTY
1	11421	PISTON	RIGHT	1
2	11622	SPLINE SHAFT MECHANISM	RIGHT	1
3	11757	SOCKET PIN		1
4	10032	PLUG		1
5	11203	SOCKET PLUG		1
6	11323	SPRING		1
7	11102	BOLT		1
8	11465	PIN BUSH	Ø 35 x 39 / 20 MM	3
9	11035	CALIPER PIN	Ø 35 / 110 MM	1
10	11027	CALIPER PIN	Ø 34.8 / 85 MM	1
11	11134	PIN BOLT	Ø M16 x 1.5 / 110 MM	2
12	11495	PIN CAP	Ø 42 / 17 MM	2
13	10025	PISTON BOOT		1
14	10103	PIN BOOT		2

<b>OKKS NUMBER</b>	3931
<b>Caliper Bolt Sealing</b>	
<b>OEM NUMBER</b>	89794

NR	OKKS NR	DESCRIPTION	DIMENSION	QTY
1	11309	CLIPS		2
2	10033	TAPPET BOOT	67 MM	2
3	11264	SPRING	67 MM	2

<b>OKKS NUMBER</b>	3932
<b>Caliper Bolt Sealing</b>	
<b>OEM NUMBER</b>	87405

NR	OKKS NR	DESCRIPTION	DIMENSION	QTY
1	11309	CLIPS		2
2	10032	PLUG	MK3	2
3	10035	TAPPET BOOT	78.5 MM	2
4	11265	SPRING	78.5 MM	2
5	10120	PLUG	MK2	2
6	10071	ORING	MK2	2
7	11209	BOLT	MK2	2

<b>OKKS NUMBER</b>	3933
<b>Caliper Unit Sealing Repair Kit</b>	
<b>OEM NUMBER</b>	94663

NR	OKKS NR	DESCRIPTION	DIMENSION	QTY
1	11309	CLIPS		2
2	10032	PLUG	MK3	2
3	10035	TAPPET BOOT	78.5 MM	2
4	10120	PLUG	MK2	2
5	10071	O-RING	MK2	2
6	11209	BOLT	MK2	2
7	10121	SEAL		2

<b>OKKS NUMBER</b>	3934
<b>Caliper Unit Sealing Repair Kit</b>	
<b>OEM NUMBER</b>	94662

NR	OKKS NR	DESCRIPTION	DIMENSION	QTY
1	10033	TAPPET BOOT	67 MM	2
2	10032	PLUG	MK3	1
3	11558	CALIPER TAPPET BUSH		2
4	11309	CLIPS		2

<b>OKKS NUMBER</b>	3935
--------------------	------



Caliper Thrust Plate & Sealing Repair Kit

<b>OEM NUMBER</b>	94664
-------------------	-------

NR	OKKS NR	DESCRIPTION	DIMENSION	QTY
1	10033	TAPPET BOOT	67 MM	2
2	11181	CALIPER CALIBRATION BOLT		2
3	11558	CALIPER TAPPET BUSH		2
4	11688	CALIPER TAPPET PLATE		1
5	11309	CLIPS		2
6	10032	PLUG	MK3	1

<b>OKKS NUMBER</b>	3936
--------------------	------

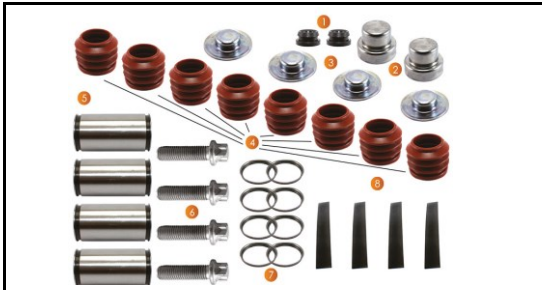


Caliper Seals & Spring Repair Kit

<b>OEM NUMBER</b>	
-------------------	--

NR	OKKS NR	DESCRIPTION	DIMENSION	QTY
1	10033	TAPPET BOOT	67 MM	2
2	10071	O-RING	MK2	2
3	11309	CLIPS		2
4	10121	SEAL		2
5	11264	SPRING	67 MM	2
6	11209	BOLT	MK2	2
7	10032	PLUG	MK3	2
8	10120	PLUG	MK2	2

<b>OKKS NUMBER</b>	3937
--------------------	------



Caliper Guides & Seals Repair Kit

<b>OEM NUMBER</b>	89541
-------------------	-------

NR	OKKS NR	DESCRIPTION	DIMENSION	QTY
1	10032	PLUG	MK3	2
2	11510	PIN CAP	Ø 57 / 40 MM	2
3	11508	STEEL CAP		4
4	10034	PIN BOOT		8
5	11031	CALIPER PIN	Ø 35 / 70 MM	4
6	11122	PIN BOLT	Ø M14 x 2 / 52 MM	4
7	11512	RING		8
8	10080	PLASTIC BUSH		4

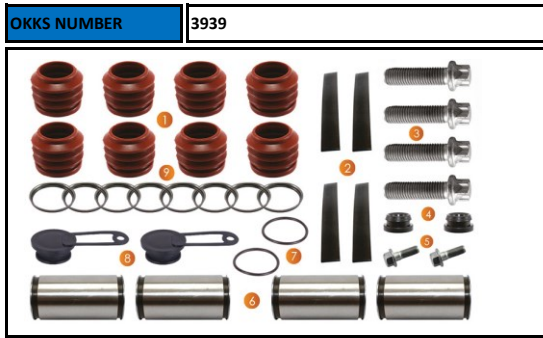
<b>OKKS NUMBER</b>	3938
--------------------	------



Caliper Guides & Seals Repair Kit

<b>OEM NUMBER</b>	
-------------------	--

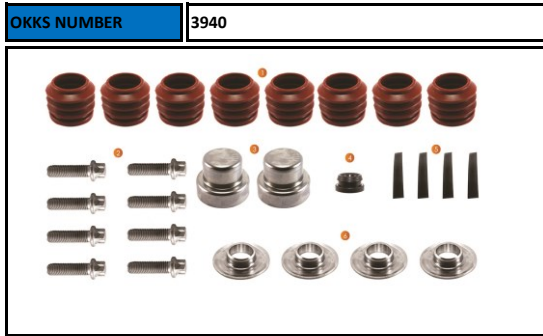
NR	OKKS NR	DESCRIPTION	DIMENSION	QTY
1	10034	PIN BOOT		8
2	11510	PIN CAP	Ø 57 / 40 MM	2
3	10080	PLASTIC BUSH		4
4	11122	PIN BOLT	Ø M14 x 2 / 52 MM	4
5	11512	RING		8
6	10032	PLUG	MK3	2
7	11209	BOLT	MK2	2
8	10120	PLUG	MK2	2
9	10071	O-RING	MK2	2



**Caliper Guides & Seals Repair Kit**

<b>OEM NUMBER</b>	87406
-------------------	-------

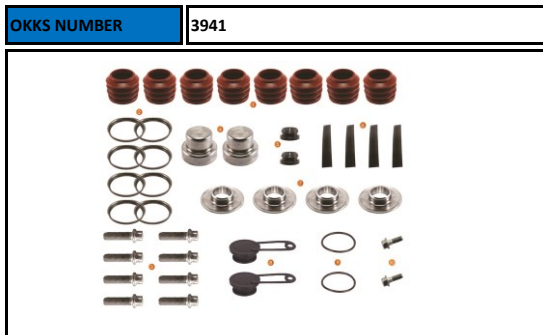
NR	OKKS NR	DESCRIPTION	DIMENSION	QTY
1	10034	PIN BOOT		8
2	10080	PLASTIC BUSH		4
3	11122	PIN BOLT	Ø M14 x 2 / 52 MM	4
4	10032	PLUG	MK3	2
5	11209	BOLT	MK2	2
6	11031	CALIPER PIN	Ø 35 / 70 MM	4
7	10071	O-RING	MK2	2
8	10120	PLUG	MK2	2
9	11512	RING		8



**Caliper Seals & Caps Repair Kit**

<b>OEM NUMBER</b>	94661
-------------------	-------

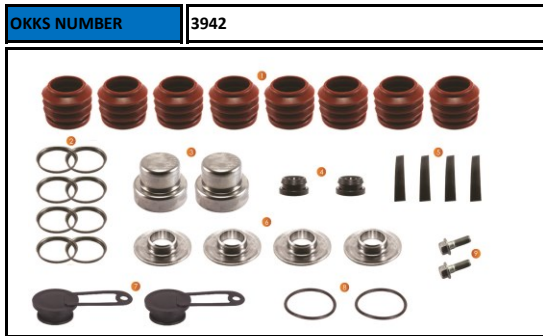
NR	OKKS NR	DESCRIPTION	DIMENSION	QTY
1	10034	PIN BOOT		8
2	11122	PIN BOLT	Ø M14 x 2 / 52 MM	8
3	11510	PIN CAP	Ø 57 / 40 MM	2
4	10032	PLUG	MK3	1
5	10080	PLASTIC BUSH		4
6	11509	STEEL CAP		4



**Caliper Seals & Caps Repair Kit**

<b>OEM NUMBER</b>	
-------------------	--

NR	OKKS NR	DESCRIPTION	DIMENSION	QTY
1	10034	PIN BOOT		8
2	11512	RING		8
3	11122	PIN BOLT	Ø M14 x 2 / 52 MM	8
4	11510	PIN CAP	Ø 57 / 40 MM	2
5	10032	PLUG	MK3	2
6	10080	PLASTIC BUSH		4
7	11509	STEEL CAP		4
8	10120	PLUG	MK2	2
9	10071	O-RING	MK2	2
10	11209	BOLT	MK2	2

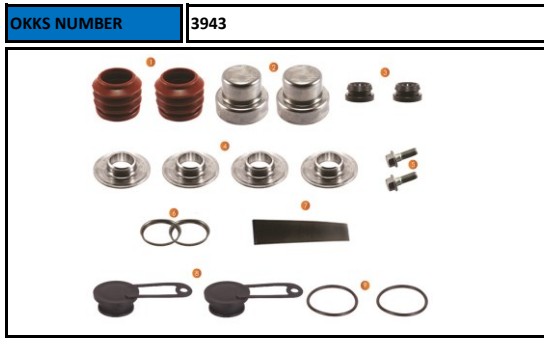


**Caliper Boots & Caps Repair Kit**

<b>OEM NUMBER</b>	87680
-------------------	-------

NR	OKKS NR	DESCRIPTION	DIMENSION	QTY
1	10034	PIN BOOT		8
2	11512	RING		8
3	11510	PIN CAP	Ø 57 / 40 MM	2
4	10032	PLUG	MK3	2
5	10080	PLASTIC BUSH		4
6	11509	STEEL CAP		4
7	10120	PLUG	MK2	2
8	10071	O-RING	MK2	2
9	11209	BOLT	MK2	2

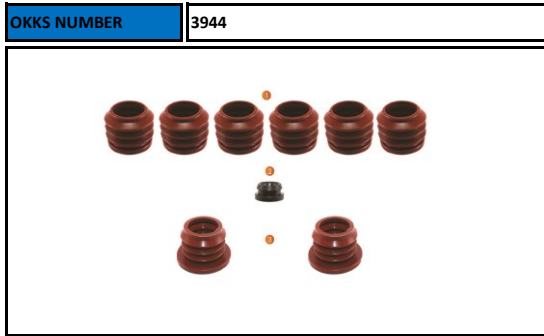




**Caliper Boots & Caps Repair Kit**

<b>OEM NUMBER</b>	89723
-------------------	-------

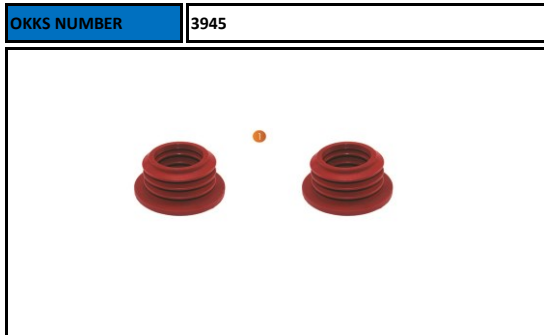
NR	OKKS NR	DESCRIPTION	DIMENSION	QTY
1	10034	PIN BOOT		2
2	11510	PIN CAP	∅ 57 / 40 MM	2
3	10032	PLUG	MK3	2
4	11509	STEEL CAP		4
5	11209	BOLT	MK2	2
6	11512	RING		2
7	10080	PLASTIC BUSH		1
8	10120	PLUG	MK2	2
9	10071	O-RING	MK2	2



**Caliper Boots & Caps Repair Kit**

<b>OEM NUMBER</b>	
-------------------	--

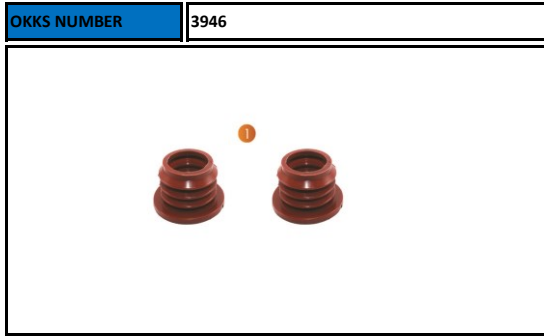
NR	OKKS NR	DESCRIPTION	DIMENSION	QTY
1	10034	PIN BOOT		6
2	10032	PLUG	MK3	1
3	10033	TAPPET BOOT	67 MM	2



**Caliper Boots Repair Kit**

<b>OEM NUMBER</b>	
-------------------	--

NR	OKKS NR	DESCRIPTION	DIMENSION	QTY
1	10035	TAPPET BOOT	78.5 MM	2



**Caliper Boots & Caps Repair Kit**

<b>OEM NUMBER</b>	
-------------------	--

NR	OKKS NR	DESCRIPTION	DIMENSION	QTY
1	10033	TAPPET BOOT	67 MM	2



<b>OKKS NUMBER</b>	3951
--------------------	------



Caliper Adjustment Shaft

<b>OEM NUMBER</b>	90693 / 89926
-------------------	---------------

NR	OKKS NR	DESCRIPTION	DIMENSION	QTY
1	10032	PLUG	MK3	2
2	11684	ADJUSTER SHAFT		2
3	10121	SEAL		2

<b>OKKS NUMBER</b>	3952
--------------------	------

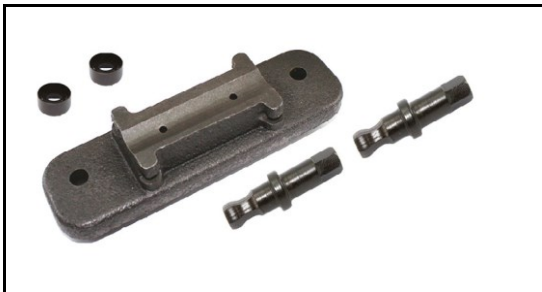


Caliper Shaft Sealing Kit

<b>OEM NUMBER</b>	89925
-------------------	-------

NR	OKKS NR	DESCRIPTION	DIMENSION	QTY
1	10032	PLUG	MK3	2
2	10121	SEAL		2

<b>OKKS NUMBER</b>	3953
--------------------	------



Caliper Mechanism Metal Top Cover Kit

<b>OEM NUMBER</b>	
-------------------	--

NR	OKKS NR	DESCRIPTION	DIMENSION	QTY
1	11695	MECHANISM LOCKER PLATE		1
2	11684	ADJUSTER SHAFT		2
3	10121	SEAL		2

<b>OKKS NUMBER</b>	3954
--------------------	------

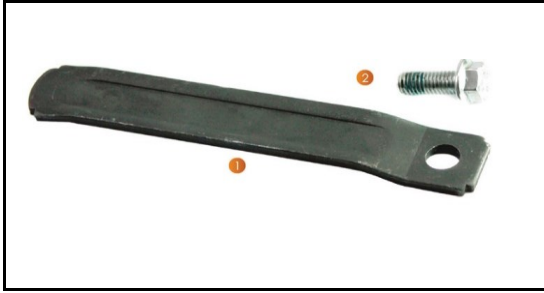


Caliper Mechanism Metal Top Cover Kit

<b>OEM NUMBER</b>	
-------------------	--

NR	OKKS NR	DESCRIPTION	DIMENSION	QTY
1	11685	MECHANISM LOCKER PLATE	MK3	1
2	10032	PLUG	MK3	2

<b>OKKS NUMBER</b>	3955
--------------------	------



Caliper Pad Holder

<b>OEM NUMBER</b>	90673
-------------------	-------

NR	OKKS NR	DESCRIPTION	DIMENSION	QTY
1	11694	CALIPER PAD RETAINER		1
2	11210	BOLT	Ø M10 x 1.5 / 25 MM	1

<b>OKKS NUMBER</b>	3956
--------------------	------

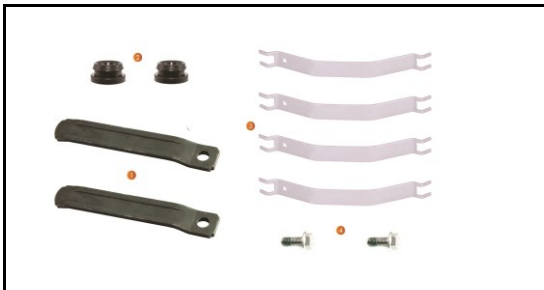


Caliper Pad Holder Repair Kit

<b>OEM NUMBER</b>	91216
-------------------	-------

NR	OKKS NR	DESCRIPTION	DIMENSION	QTY
1	11694	CALIPER PAD RETAINER		1
2	11210	BOLT	Ø M10 x 1.5 / 25 MM	1
3	11308	CALIPER PAD SPRING		2

<b>OKKS NUMBER</b>	3957
--------------------	------



Caliper Pad Holder Repair Kit

<b>OEM NUMBER</b>	94659
-------------------	-------

NR	OKKS NR	DESCRIPTION	DIMENSION	QTY
1	11694	CALIPER PAD RETAINER		2
2	10032	PLUG	MK3	2
3	11308	CALIPER PAD SPRING		4
4	11210	BOLT	Ø M10 x 1.5 / 25 MM	2

<b>OKKS NUMBER</b>	3958
--------------------	------



Caliper Thrust Plate

<b>OEM NUMBER</b>	92731
-------------------	-------

NR	OKKS NR	DESCRIPTION	DIMENSION	QTY
1	11688	TAPPET PLATE		1
2	11309	CLIPS		2

OKKS NUMBER	

Caliper Thrust Plate

OEM NUMBER	
------------	--

NR	OKKS NR	DESCRIPTION	DIMENSION	QTY

OKKS NUMBER	3960
-------------	------



Caliper Thrust Plate With Calibration Bolts

OEM NUMBER	
------------	--

NR	OKKS NR	DESCRIPTION	DIMENSION	QTY
1	11688	TAPPET PLATE		1
2	11309	CLIPS		2
3	11181	CALIBRATION BOLT		2

OKKS NUMBER	3961
-------------	------



Caliper Thrust Plate & Spring Repair Kit

OEM NUMBER	92731
------------	-------

NR	OKKS NR	DESCRIPTION	DIMENSION	QTY
1	11264	SPRING	67 MM	2
2	11688	TAPPET PLATE		1
3	11309	CLIPS		2

OKKS NUMBER	11181
-------------	-------



Caliper Calibration Bolt

OEM NUMBER	
------------	--

NR	OKKS NR	DESCRIPTION	DIMENSION	QTY

OKKS NUMBER	11182
-------------	-------



Caliper Calibration Bolt Without Flange

OEM NUMBER	
------------	--

NR	OKKS NR	DESCRIPTION	DIMENSION	QTY

OKKS NUMBER	3964
-------------	------

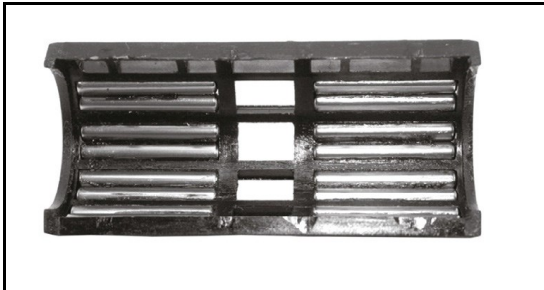


Caliper Roller Bearing

OEM NUMBER	89925
------------	-------

NR	OKKS NR	DESCRIPTION	DIMENSION	QTY
1	11289	CALIPER NEEDLE BEARING SET		2

OKKS NUMBER	11290
-------------	-------



Caliper Roller Bearing

OEM NUMBER	87408
------------	-------

NR	OKKS NR	DESCRIPTION	DIMENSION	QTY

OKKS NUMBER	3966
-------------	------



Caliper Roller Bearing

OEM NUMBER	
------------	--

NR	OKKS NR	DESCRIPTION	DIMENSION	QTY
1	11334	CALIPER ROLLER BEARING		2



OKKS NUMBER	3971
-------------	------

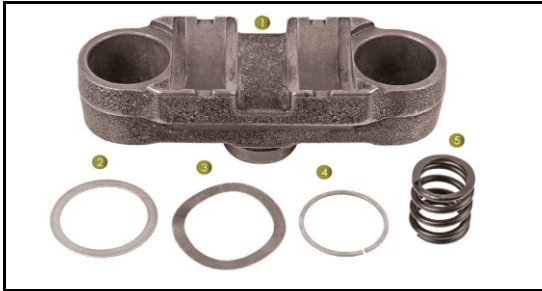


Caliper Bridge Assembly Repair Kit

OEM NUMBER	
------------	--

NR	OKKS NR	DESCRIPTION	DIMENSION	QTY
1	11703	CALIPER SHAFT HOUSING		1
2	11531	SHAFT HOUSING WASHER		2
3	11532	SHAFT HOUSING RING		2
4	11336	CALIPER SPRING		1

OKKS NUMBER	3972
-------------	------



Caliper Bridge Assembly Repair Kit

OEM NUMBER	205089611
------------	-----------

NR	OKKS NR	DESCRIPTION	DIMENSION	QTY
1	11625	SHAFT HOUSING		1
2	11211	WASHER		1
3	11337	WAY WASHER		1
4	11338	CIRCLIP		1
5	11336	SPRING		1

OKKS NUMBER	3973
-------------	------



Caliper Circlip Repair Kit

OEM NUMBER	
------------	--

NR	OKKS NR	DESCRIPTION	DIMENSION	QTY
1	11532	SHAFT HOUSING RING		6
2	11531	SHAFT HOUSING WASHER		6

OKKS NUMBER	11692
-------------	-------



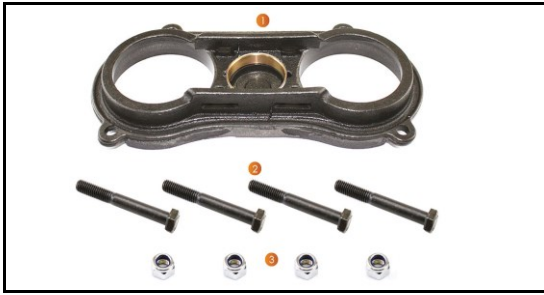
Caliper Cover

OEM NUMBER	
------------	--

NR	OKKS NR	DESCRIPTION	DIMENSION	QTY



<b>OKKS NUMBER</b>	3975
--------------------	------



Caliper Cover Repair Kit

<b>OEM NUMBER</b>	
-------------------	--

NR	OKKS NR	DESCRIPTION	DIMENSION	QTY
1	11702	CALIPER MECHANISM CAP		1
2	11205	BOLT	M8 x 1.25 / 60 MM	4
3	11212	BOLT NUT		4

<b>OKKS NUMBER</b>	3976
--------------------	------



Caliper Cover Repair Kit

<b>OEM NUMBER</b>	
-------------------	--

NR	OKKS NR	DESCRIPTION	DIMENSION	QTY
1	11692	CALIPER CAP		1
2	11213	BOLT	M8 x 1.25 / 40 MM	4

<b>OKKS NUMBER</b>	11687
--------------------	-------



Caliper Intermediate Gear

<b>OEM NUMBER</b>	
-------------------	--

NR	OKKS NR	DESCRIPTION	DIMENSION	QTY

<b>OKKS NUMBER</b>	11686
--------------------	-------



Caliper Adjusting Mechanism

<b>OEM NUMBER</b>	
-------------------	--

NR	OKKS NR	DESCRIPTION	DIMENSION	QTY



OKKS NUMBER 3983

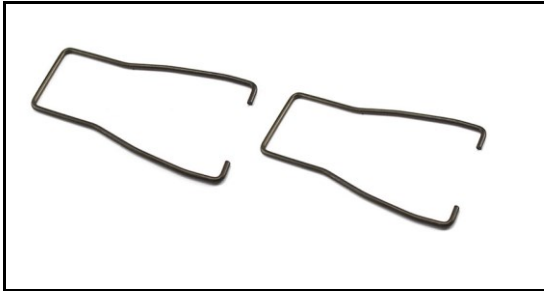


Caliper Adjusting Mechanism Kit

OEM NUMBER

NR	OKKS NR	DESCRIPTION	DIMENSION	QTY

OKKS NUMBER 3984

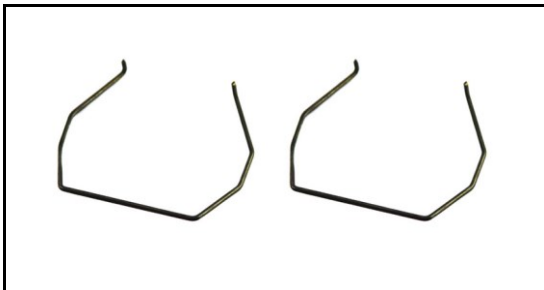


Caliper Stabilizing Plate

OEM NUMBER

NR	OKKS NR	DESCRIPTION	DIMENSION	QTY
1	11626	CALIPER MECHANISM CLAMP		2

OKKS NUMBER 3985



Caliper Stabilizing Plate

OEM NUMBER

NR	OKKS NR	DESCRIPTION	DIMENSION	QTY
1	11693	CALIPER MECHANISM CLAMP		2

OKKS NUMBER 3986



Caliper Adjuster Bolt Repair Kit

OEM NUMBER

NR	OKKS NR	DESCRIPTION	DIMENSION	QTY
1	11177	TAPPET & CALIBRATION BOLT	L	1
2	11178	TAPPET & CALIBRATION BOLT	R	1



Caliper Bolt Sealing

<b>OEM NUMBER</b>	89794 / 94662
-------------------	---------------

NR	OKKS NR	DESCRIPTION	DIMENSION	QTY
1	11309	CLIPS		2
2	10033	TAPPET BOOT	67 MM	2
3	11264	SPRING	67 MM	2



Caliper Bolt Sealing

<b>OEM NUMBER</b>	91011
-------------------	-------

NR	OKKS NR	DESCRIPTION	DIMENSION	QTY
1	10032	PLUG		1
2	10033	TAPPET BOOT	67 MM	2
3	11264	SPRING	67 mm	2
4	11309	CLIPS		2



Caliper Sealing Repair Kit

<b>OEM NUMBER</b>	94663
-------------------	-------

NR	OKKS NR	DESCRIPTION	DIMENSION	QTY
1	11309	CLIPS		2
2	10032	PLUG	MK3	2
3	10035	TAPPET BOOT	78.5 MM	2
4	10120	PLUG	MK2	2
5	10071	O-RING	MK2	2
6	11209	BOLT	MK2	2
7	10121	SEAL		2



Caliper Sealing Repair Kit

<b>OEM NUMBER</b>	94662
-------------------	-------

NR	OKKS NR	DESCRIPTION	DIMENSION	QTY
1	10033	TAPPET BOOT	67 MM	2
2	10032	PLUG	MK3	1
3	11558	CALIPER TAPPET BUSH		2
4	11309	CLIPS		2

OKKS NUMBER	3944
-------------	------



Caliper Seal & Cap Repair Kit

OEM NUMBER	
------------	--

NR	OKKS NR	DESCRIPTION	DIMENSION	QTY
1	10034	PIN BOOT		6
2	10032	PLUG	MK3	1
3	10033	TAPPET BOOT	67 MM	2

OKKS NUMBER	3935
-------------	------



Caliper Thrust Plate & Sealing Repair Kit

OEM NUMBER	94664
------------	-------

NR	OKKS NR	DESCRIPTION	DIMENSION	QTY
1	10033	TAPPET BOOT	67 MM	2
2	11181	CALIPER CALIBRATION BOLT		2
3	11558	CALIPER TAPPET BUSH		2
4	11688	CALIPER TAPPET PLATE		1
5	11309	CLIPS		2
6	10032	PLUG	MK3	1

OKKS NUMBER	3961
-------------	------



Caliper Thrust Plate & Spring Repair Kit

OEM NUMBER	92731
------------	-------

NR	OKKS NR	DESCRIPTION	DIMENSION	QTY
1	11264	SPRING	67 MM	2
2	11688	TAPPET PLATE		1
3	11309	CLIPS		2

OKKS NUMBER	4002
-------------	------



Caliper Guides & Seals Repair Kit

OEM NUMBER	91012
------------	-------

NR	OKKS NR	DESCRIPTION	DIMENSION	QTY
1	10032	PLUG	MK3	1
2	11499	PIN CAP	Ø 42 / 28 MM	2
3	11508	STEEL CAP		4
4	10034	PIN BOOT		6
5	11029	CALIPER PIN	Ø 35 / 64 MM	4
6	11121	PIN BOLT	Ø M14 x 2 / 42 MM	4
7	10080	PLASTIC BUSH		4

<b>OKKS NUMBER</b>	4003
--------------------	------



Caliper Boots & Caps

<b>OEM NUMBER</b>	91013.SAF 3434385702
-------------------	----------------------

NR	OKKS NR	DESCRIPTION	DIMENSION	QTY
1	10034	PIN BOOT		6
2	10080	PLASTIC BUSH		4
3	11508	STEEL CAP		4
4	11499	PIN CAP	Ø 42 / 28 MM	2
5	10032	PLUG	MK3	1

<b>OKKS NUMBER</b>	4004
--------------------	------



Caliper Boots & Caps

<b>OEM NUMBER</b>	91014
-------------------	-------

NR	OKKS NR	DESCRIPTION	DIMENSION	QTY
1	10034	PIN BOOT		2
2	11499	PIN CAP	Ø 42 / 28 MM	2
3	11508	STEEL CAP		4
4	10032	PLUG	MK3	1
5	10080	PLASTIC BUSH		1

<b>OKKS NUMBER</b>	4005
--------------------	------



Caliper Guides & Seals Repair Kit

<b>OEM NUMBER</b>	93299
-------------------	-------

NR	OKKS NR	DESCRIPTION	DIMENSION	QTY
1	10032	PLUG	MK3	1
2	11499	PIN CAP	Ø 42 / 28 MM	2
3	11508	STEEL CAP		2
4	10034	PIN BOOT		6
5	11029	CALIPER PIN	Ø 35 / 64 MM	4
6	11121	PIN BOLT	Ø M14 x 2 / 42 MM	4
7	10080	PLASTIC BUSH		4

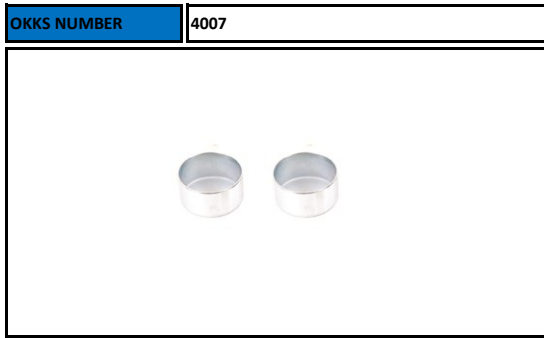
<b>OKKS NUMBER</b>	4006
--------------------	------



Caliper Guides & Seals Repair Kit

<b>OEM NUMBER</b>	94660
-------------------	-------

NR	OKKS NR	DESCRIPTION	DIMENSION	QTY
1	10032	PLUG		1
2	11499	PIN CAP	Ø 42 / 28 MM	2
3	11508	STEEL CAP		2
4	10034	PIN BOOT		6
5	11122	PIN BOLT	Ø M14 x 2 / 52 MM	4
6	11121	PIN BOLT	Ø M14 x 2 / 42 MM	4
7	10080	PLASTIC BUSH		4



Caliper Caps

<b>OEM NUMBER</b>	91019
-------------------	-------

NR	OKKS NR	DESCRIPTION	DIMENSION	QTY
1	11499	PIN CAP	Ø 42 / 28 MM	2



Caliper Adjustment Shaft

<b>OEM NUMBER</b>	90693 / 89926
-------------------	---------------

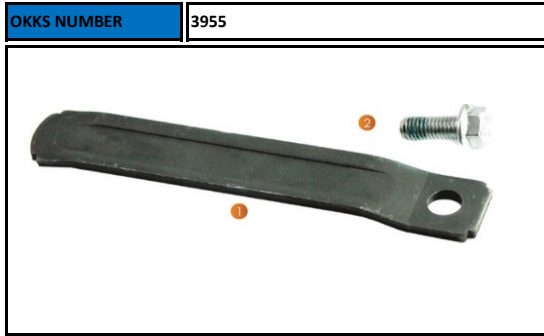
NR	OKKS NR	DESCRIPTION	DIMENSION	QTY
1	10032	PLUG	MK3	2
2	11684	ADJUSTER SHAFT		2
3	10121	SEAL		2



Caliper Adjustment Shaft

<b>OEM NUMBER</b>	94892
-------------------	-------

NR	OKKS NR	DESCRIPTION	DIMENSION	QTY
1	10032	PLUG	MK3	1
2	11684	ADJUSTER SHAFT		1
3	10121	SEAL		1



Caliper Pad Holder

<b>OEM NUMBER</b>	90673
-------------------	-------

NR	OKKS NR	DESCRIPTION	DIMENSION	QTY
1	11694	CALIPER PAD RETAINER		1
2	11210	BOLT	Ø M10 x 1.5 / 25 MM	1

OKKS NUMBER	3956
-------------	------

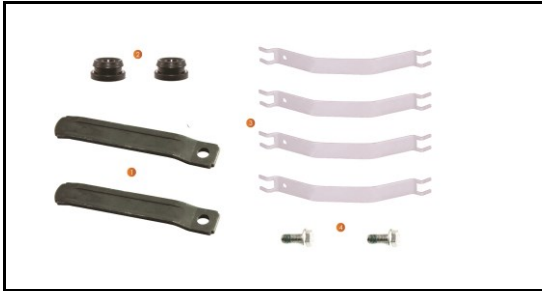


Caliper Pad Holder Repair Kit

OEM NUMBER	91216
------------	-------

NR	OKKS NR	DESCRIPTION	DIMENSION	QTY
1	11694	CALIPER PAD RETAINER		1
2	11210	BOLT	Ø M10 x 1.5 / 25 MM	1
3	11308	CALIPER PAD SPRING		2

OKKS NUMBER	3957
-------------	------



Caliper Pad Holder Repair Kit

OEM NUMBER	94659
------------	-------

NR	OKKS NR	DESCRIPTION	DIMENSION	QTY
1	11694	CALIPER PAD RETAINER		2
2	10032	PLUG	MK3	2
3	11308	CALIPER PAD SPRING		4
4	11210	BOLT	Ø M10 x 1.5 / 25 MM	2

OKKS NUMBER	11176
-------------	-------



Caliper Calibration Bolt

OEM NUMBER	
------------	--

NR	OKKS NR	DESCRIPTION	DIMENSION	QTY

OKKS NUMBER	4010
-------------	------



Caliper Roller Bearing

OEM NUMBER	
------------	--

NR	OKKS NR	DESCRIPTION	DIMENSION	QTY
1	11339	NEEDLE BEARING		2





OKKS NUMBER	11627
-------------	-------



Caliper Bridge Assembly

OEM NUMBER	92909
------------	-------

NR	OKKS NR	DESCRIPTION	DIMENSION	QTY

OKKS NUMBER	4016
-------------	------



Caliper Bridge Assembly

OEM NUMBER	420389611
------------	-----------

NR	OKKS NR	DESCRIPTION	DIMENSION	QTY
1	18402	SHAFT HOUSING		1
2	11211	WASHER		1
3	11337	WAY WASHER		1
4	11338	RING		1
5	11336	SPRING		1

OKKS NUMBER	11628
-------------	-------



Caliper Mechanism Cap

OEM NUMBER	
------------	--

NR	OKKS NR	DESCRIPTION	DIMENSION	QTY

OKKS NUMBER	4018
-------------	------



Caliper Cover Repair Kit

OEM NUMBER	70207
------------	-------

NR	OKKS NR	DESCRIPTION	DIMENSION	QTY
1	11628	CALIPER COVER		1
2	11214	BOLT	M8 x 1.25 / 30 MM	4





<b>OKKS NUMBER</b>	4031
--------------------	------



Caliper Guides & Seals Repair Kit

<b>OEM NUMBER</b>	
-------------------	--

NR	OKKS NR	DESCRIPTION	DIMENSION	QTY
1	10123	ADJUSTMENT SCREW BELLOW		1
2	10122	PIN BOOT		2
3	10124	RING		2
4	11504	PIN CAP	Ø 45 / 22 MM	1
5	11497	PIN CAP	Ø 42 / 26 MM	1
6	10036	PLASTIC BUSH	Ø 35.7 x 35.4 / 87 MM	1
7	11038	CALIPER PIN	Ø 35 x 120 MM	1
8	11043	CALIPER PIN	Ø 35.5 x 87 MM	1
9	11129	PIN BOLT	Ø M16 x 1.5 / 80 MM	2

<b>OKKS NUMBER</b>	4032
--------------------	------



Caliper Seals & Bush Repair Kit

<b>OEM NUMBER</b>	
-------------------	--

NR	OKKS NR	DESCRIPTION	DIMENSION	QTY
1	10122	PIN BOOT		2
2	10124	RING		2
3	10036	PLASTIC BUSH	Ø 35.7 x 35.4 / 87 MM	1
4	10123	ADJUSTMENT SCREW BELLOW		1
5	11479	BUSH	Ø 39.5 x 36 / 14.5 MM	1
6	11470	BUSH	Ø 35 x 39 / 30 MM	2

<b>OKKS NUMBER</b>	4033
--------------------	------



Caliper Seals Repair Kit

<b>OEM NUMBER</b>	
-------------------	--

NR	OKKS NR	DESCRIPTION	DIMENSION	QTY
1	10122	PIN BOOT		2
2	10124	RING		2
3	10123	ADJUSTMENT SCREW BELLOW		1

<b>OKKS NUMBER</b>	4034
--------------------	------



Caliper Guides & Seals Repair Kit

<b>OEM NUMBER</b>	
-------------------	--

NR	OKKS NR	DESCRIPTION	DIMENSION	QTY
1	10123	ADJUSTMENT SCREW BELLOW		1
2	10122	PIN BOOT		2
3	10124	RING		2
4	11470	ROUND BUSH	Ø 35 x 39 / 30 MM	2
5	11504	PIN CAP	Ø 45 / 22 MM	1
6	11497	PIN CAP	Ø 42 / 26 MM	1
7	10036	PLASTIC BUSH	Ø 35.7 x 35.4 x 87 MM	1
8	11038	CALIPER PIN	Ø 35 / 120 MM	1
9	11043	CALIPER PIN	Ø 35.5 / 87 MM	1
10	11129	PIN BOLT	Ø M16 x 1.5 / 80 MM	2
11	11479	BUSH	Ø 39.5 x 36 / 14.5 MM	1



Caliper Guides & Bolts Repair Kit

<b>OEM NUMBER</b>	
-------------------	--

NR	OKKS NR	DESCRIPTION	DIMENSION	QTY
1	11504	PIN CAP	Ø 45 / 22 MM	1
2	11497	PIN CAP	Ø 42 / 26 MM	1
3	11038	CALIPER PIN	Ø 35 / 120 MM	1
4	11043	CALIPER PIN	Ø 35.5 / 87 MM	1
5	11129	PIN BOLT	Ø M16 x 1.5 / 80 MM	2



Caliper Guides & Seals Repair Kit

<b>OEM NUMBER</b>	95397.SAF 3.434.386100
-------------------	------------------------

NR	OKKS NR	DESCRIPTION	DIMENSION	QTY
1	10122	PIN BOOT		2
2	10124	RING		2
3	11470	ROUND BUSH	Ø 35 x 39 / 30 MM	2
4	11479	BUSH	Ø 39.5 x 36 / 14.5 MM	1
5	11504	PIN CAP	Ø 45 / 22 MM	1
6	11497	PIN CAP	Ø 42 / 26 MM	1
7	10036	PLASTIC BUSH	Ø 35.7 x 35.4 x 87 MM	1
8	11038	CALIPER PIN	Ø 35 / 120 MM	1
9	11043	CALIPER PIN	Ø 35.5 / 87 MM	1
10	11129	PIN BOLT	Ø M16 x 1.5 / 80 MM	2
11	10125	RESET SHAFT PLUG		1



Caliper Guides & Seals Repair Kit

<b>OEM NUMBER</b>	96202
-------------------	-------

NR	OKKS NR	DESCRIPTION	DIMENSION	QTY
1	10122	PIN BOOT		2
2	11504	PIN CAP	Ø 45 / 22 MM	1
3	11497	PIN CAP	Ø 42 / 26 MM	1
4	10124	RING		2
5	11038	CALIPER PIN	Ø 35 / 120 MM	1
6	11043	CALIPER PIN	Ø 35.5 / 87 MM	1
7	11129	PIN BOLT	Ø M16 x 1.5 / 80 MM	2



Caliper Mechanism Seals Repair Kit

<b>OEM NUMBER</b>	95399 SAF 3.434.3862.00
-------------------	-------------------------

NR	OKKS NR	DESCRIPTION	DIMENSION	QTY
1	10125	RESET SHAFT PLUG		1
2	10123	ADJUSTMENT SCREW BELLOW		1









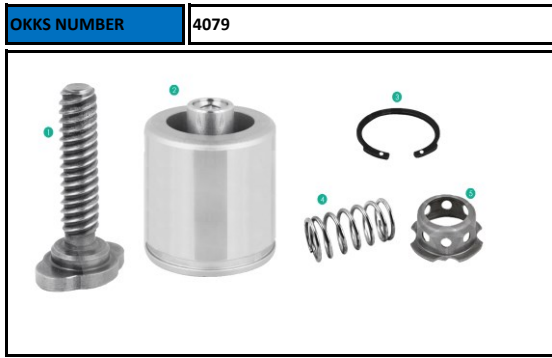








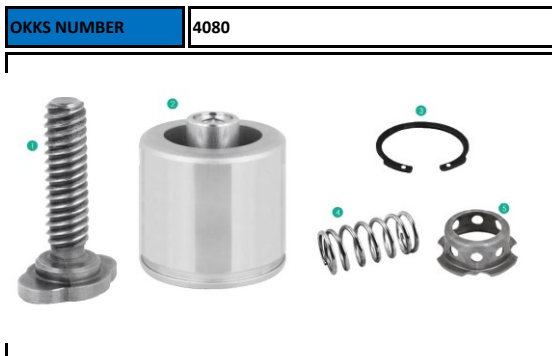




Hydraulic Caliper Piston Repair Kit

<b>OEM NUMBER</b>	SJ1214
-------------------	--------

NR	OKKS NR	DESCRIPTION	DIMENSION	QTY
1	11225	AUTO ADJUSTER BOLT		1
2	11077	PISTON REAR	Ø 68 / 63 MM	1
3	11345	AUTO ADJUSTER CIRCLIP		1
4	11346	SPRING	Ø 60 MM	1
5	11793	ADJUSTER SPRING CASE	Ø 60 MM	1



Hydraulic Caliper Piston Repair Kit

<b>OEM NUMBER</b>	SJ1215
-------------------	--------

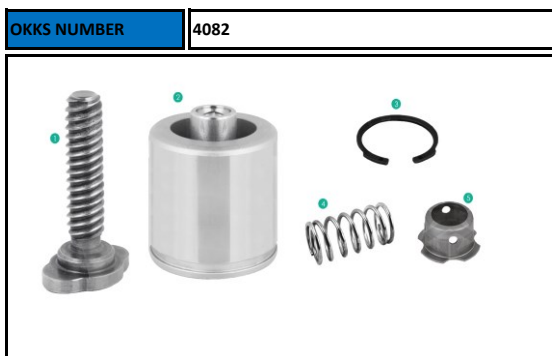
NR	OKKS NR	DESCRIPTION	DIMENSION	QTY
1	11225	AUTO ADJUSTER BOLT		1
2	11078	PISTON REAR	Ø 60 / 63 MM	1
3	11345	AUTO ADJUSTER CIRCLIP		1
4	11346	SPRING	Ø 60 MM	1
5	11793	ADJUSTER SPRING CASE	Ø 60 MM	1



Hydraulic Caliper Piston Repair Kit

<b>OEM NUMBER</b>	SJ1091
-------------------	--------

NR	OKKS NR	DESCRIPTION	DIMENSION	QTY
1	11225	AUTO ADJUSTER BOLT		1
2	11079	PISTON REAR	Ø 58 / 63 MM	1
3	11345	AUTO ADJUSTER CIRCLIP		1
4	11347	SPRING	Ø 58 MM	1
5	11794	ADJUSTER SPRING CASE	Ø 58 MM	1

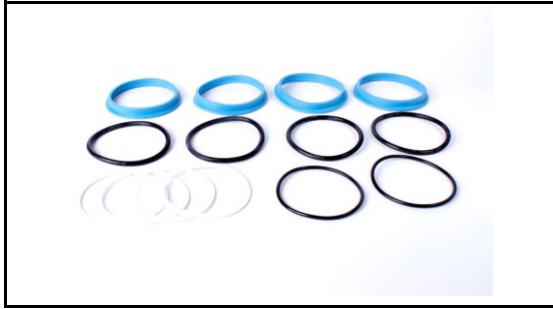


Hydraulic Caliper Piston Repair Kit

<b>OEM NUMBER</b>	SJ1092
-------------------	--------

NR	OKKS NR	DESCRIPTION	DIMENSION	QTY
1	11225	AUTO ADJUSTER BOLT		1
2	11080	PISTON REAR	Ø 68 / 63 MM	1
3	11345	AUTO ADJUSTER CIRCLIP		1
4	11347	SPRING	Ø 58 MM	1
5	11794	ADJUSTER SPRING CASE	Ø 58 MM	1

OKKS NUMBER	4083
-------------	------

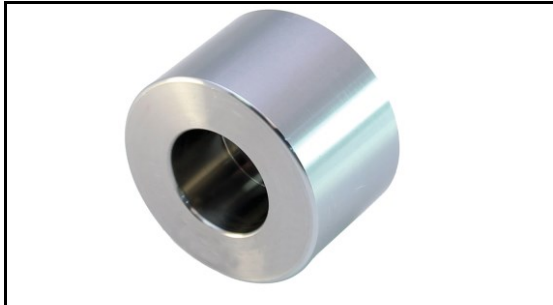


Hydraulic Caliper Seals Repair Kit

OEM NUMBER	VOLVO: 6212908 / 11994196
------------	---------------------------

NR	OKKS NR	DESCRIPTION	DIMENSION	QTY

OKKS NUMBER	11081
-------------	-------



Hydraulic Caliper Piston

OEM NUMBER	VOLVO: 6211532
------------	----------------

NR	OKKS NR	DESCRIPTION	DIMENSION	QTY

OKKS NUMBER	4085
-------------	------



Hydraulic Caliper Seals Repair Kit

OEM NUMBER	VOLVO: 6213565 / 11994197
------------	---------------------------

NR	OKKS NR	DESCRIPTION	DIMENSION	QTY

OKKS NUMBER	4086
-------------	------



Hydraulic Caliper Tappet Cover Repair Kit

OEM NUMBER	SP8564 / DAF: 1522160 / IVECO: 93161552 RENAULT: 5001014701 / 5001829895 VOLVO: 270527 / 3090937
------------	--

NR	OKKS NR	DESCRIPTION	DIMENSION	QTY
1	10148	PIN BOOT		2
2	11561	PIN CAP	∅ 22 / 8 MM	2
3	11560	PIN CAP	∅ 22 / 12 MM	2
4	10149	PISTON BOOT	∅ 68 MM	2
5	10150	PISTON SEAL	∅ 68 MM	2



<b>OKKS NUMBER</b>	4087
Hydraulic Caliper Tappet Cover Repair Kit	
<b>OEM NUMBER</b>	SP8567 / DAF: 1522161 VOLVO: 270531 / 3090938

NR	OKKS NR	DESCRIPTION	DIMENSION	QTY
1	10148	PIN BOOT		2
2	11561	PIN CAP	Ø 22 / 8 MM	2
3	11560	PIN CAP	Ø 22 / 12 MM	2
4	10151	PISTON BOOT	Ø 58 MM	2
5	10152	PISTON SEAL	Ø 58 MM	2

<b>OKKS NUMBER</b>	4088
Hydraulic Caliper Tappet Cover Repair Kit	
<b>OEM NUMBER</b>	SP8597 / MERCEDES: 000 420 1344 DAF: 1522174 RENAULT: 5001014679 / 5001829892

NR	OKKS NR	DESCRIPTION	DIMENSION	QTY
1	10148	PISTON BOOT		2
2	10147	PISTON SEAL		2
3	10146	PIN BOOT		2

<b>OKKS NUMBER</b>	4089
Hydraulic Caliper Tappet Cover Repair Kit	
<b>OEM NUMBER</b>	SP8566 / DAF: 1522175 VOLVO: 3090852 / RENAULT: 5001829894

NR	OKKS NR	DESCRIPTION	DIMENSION	QTY
1	10148	PIN BOOT		2
2	11224	PLUG		2

<b>OKKS NUMBER</b>	4090
Hydraulic Caliper Tappet Cover Repair Kit	
<b>OEM NUMBER</b>	SP9670 / DAF: 1522163 / VOLVO: 3090940

NR	OKKS NR	DESCRIPTION	DIMENSION	QTY
1	10149	PISTON BOOT	Ø 68 MM	2
2	10150	PISTON SEAL	Ø 68 MM	2
3	10148	PIN BOOT		2
4	11560	PIN CAP	Ø 22 / 12 MM	2
5	11561	PIN CAP	Ø 22 / 8 MM	2
6	10156	AUTO ADJUSTER SEAL		2
7	10155	CRANKSHAFT TAPPET SEAL		1
8	10154	AUTO ADJUSTER ORING	SMALL	2
9	10157	AUTO ADJUSTER PLASTIC RING		1
10	11348	AUTO ADJUSTER CIRCLIP	L-RING	1
11	11345	CIRCLIPS		1
12	10153	AUTO ADJUSTER ORING	BIG	1



Hydraulic Caliper Guides & Seals Repair Kit

<b>OEM NUMBER</b>	SP8565 / DAF: 522081 VOLVO: 3090851 / IVECO: 8124737
-------------------	---

NR	OKKS NR	DESCRIPTION	DIMENSION	QTY
1	11076	CALIPER PIN	Ø 20 / 71 MM	2
2	10148	CALIPER PIN BOOT		2
3	11223	CALIPER PIN BOLT	Ø M12 x 1.25 / 85 MM	2
4	11560	PIN CAP	Ø 22 / 12 MM	2
5	11561	PIN CAP	Ø 22 / 8 MM	2



Hydraulic Caliper Tappet Cover Repair Kit

<b>OEM NUMBER</b>	SP8902 MERCEDES: 000 421 1463 / DAF: 1522173
-------------------	---

NR	OKKS NR	DESCRIPTION	DIMENSION	QTY
1	11082	CALIPER PIN	Ø 20 / 80 MM	2
2	10148	CALIPER PIN BOOT		2
3	11223	CALIPER PIN BOLT	Ø M12 x 1.25 / 85 MM	2
4	11224	PLUG		2



Hydraulic Caliper Tappet Cover Repair Kit

<b>OEM NUMBER</b>	ST1154 / MERCEDES: 000 421 8386
-------------------	---------------------------------

NR	OKKS NR	DESCRIPTION	DIMENSION	QTY
1	11559	PIN CAP	Ø 24 / 12 MM	2
2	10148	CALIPER PIN BOOT		2
3	11224	PLUG		2



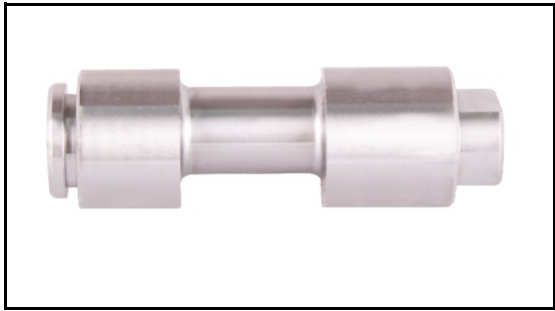
Hydraulic Caliper Guides & Seals Repair Kit

<b>OEM NUMBER</b>	SJ1034 / IVECO: 93161037 / 93161473
-------------------	-------------------------------------

NR	OKKS NR	DESCRIPTION	DIMENSION	QTY
1	11083	CALIPER PIN	Ø 20 / 71 MM	2
2	10148	CALIPER PIN BOOT		2
3	11223	CALIPER PIN BOLT	Ø M12 x 1.25 / 85 MM	2
4	11559	PIN CAP	Ø 24 / 12 MM	2
5	11224	PLUG		2



OKKS NUMBER	11796
-------------	-------



Caliper Crankshaft

OEM NUMBER	
------------	--

NR	OKKS NR	DESCRIPTION	DIMENSION	QTY

OKKS NUMBER	11084
-------------	-------



Caliper Piston Front (∅ 58 / 63 mm)

OEM NUMBER	68320070 / VOLVO:1697452
------------	--------------------------

NR	OKKS NR	DESCRIPTION	DIMENSION	QTY

OKKS NUMBER	11085
-------------	-------



Caliper Hand Brake Piston Rear (∅ 58 / 63 mm)

OEM NUMBER	68320294 / VOLVO: 1698208
------------	---------------------------

NR	OKKS NR	DESCRIPTION	DIMENSION	QTY

OKKS NUMBER	11086
-------------	-------



Caliper Hand Brake Piston (∅ 68 / 63 mm)

OEM NUMBER	68320293
------------	----------

NR	OKKS NR	DESCRIPTION	DIMENSION	QTY



OKKS NUMBER	11091
-------------	-------



Caliper Piston (Ø 68 / 63 mm)

OEM NUMBER	68320564
------------	----------

NR	OKKS NR	DESCRIPTION	DIMENSION	QTY

OKKS NUMBER	11225
-------------	-------

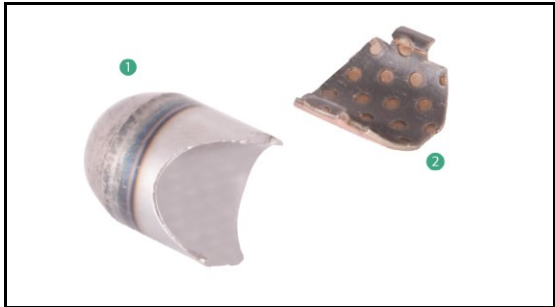


Caliper Auto Adjuster Bolt

OEM NUMBER	
------------	--

NR	OKKS NR	DESCRIPTION	DIMENSION	QTY

OKKS NUMBER	4109
-------------	------



Caliper Crankshaft Knuckle - (With Bush)

OEM NUMBER	
------------	--

NR	OKKS NR	DESCRIPTION	DIMENSION	QTY
1	11555	CRANKSHAFT KNUCKLE	Ø 31.90 MM	1
2	11557	CRANKSHAFT KNUCKLE BUSH		1

OKKS NUMBER	4110
-------------	------



Caliper Crankshaft Knuckle Bush Set

OEM NUMBER	
------------	--

NR	OKKS NR	DESCRIPTION	DIMENSION	QTY
1	11557	CRANKSHAFT KNUCKLE BUSH		1



OKKS NUMBER	11092
-------------	-------

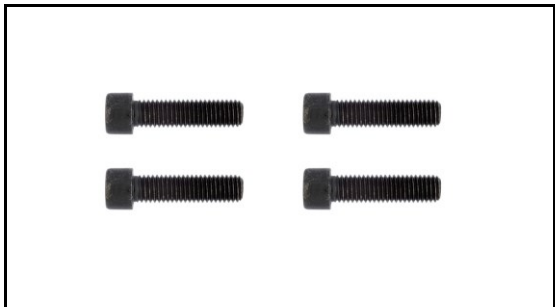


Caliper Crankshaft Tappet (Ø 31.60 / 42 mm)

OEM NUMBER	
------------	--

NR	OKKS NR	DESCRIPTION	DIMENSION	QTY

OKKS NUMBER	4116
-------------	------



Caliper Cover Bolt Kit

OEM NUMBER	
------------	--

NR	OKKS NR	DESCRIPTION	DIMENSION	QTY
1	11226	COVER BOLT	M12 x 1.25 / 40 mm	4

OKKS NUMBER	4117
-------------	------



OEM NUMBER	
------------	--

NR	OKKS NR	DESCRIPTION	DIMENSION	QTY

OKKS NUMBER	4118
-------------	------



Caliper Hand Brake Kit

OEM NUMBER	
------------	--

NR	OKKS NR	DESCRIPTION	DIMENSION	QTY
1	11092	CRANKSHAFT TAPPET	Ø 31.60 / 42 MM	1
2	4109	CRANKSHAFT KNUCKLE	With Bush	1
3	10157	AUTO ADJUSTER PLASTIC RING		1
4	11797	CALIPER CRANKSHAFT CAP		1
5	10153	AUTO ADJUSTER ORING	BIG	1
6	11349	CRANKSHAFT CIRCLIP		1
7	11465	PIN BUSH	Ø 35 x 39 / 20 MM	1
8	11227	CRANKSHAFT WASHER		1
9	11212	CRANKSHAFT NUT		1
10	11795	CALIPER CRANKSHAFT		1
11	10155	CRANKSHAFT TAPPET SEAL		1
12	11798	CRANKSHAFT LOCKER		1



<b>OKKS NUMBER</b>	4119
<b>Caliper Hand Brake Kit</b>	
<b>OEM NUMBER</b>	SP8570

NR	OKKS NR	DESCRIPTION	DIMENSION	QTY
1	11092	CRANKSHAFT TAPPET	Ø 31.60 / 42 MM	1
2	4109	CRANKSHAFT KNUCKLE	With Bush	1
3	10157	AUTO ADJUSTER PLASTIC RING		1
4	11797	CALIPER CRANKSHAFT CAP		1
5	10153	AUTO ADJUSTER ORING	BIG	1
6	11349	CRANKSHAFT CIRCLIP		1
7	11465	PIN BUSH	Ø 35 x 39 / 20 MM	1
8	11228	CRANKSHAFT WASHER		1
9	11229	CRANKSHAFT SCREW		1
10	11796	CALIPER CRANKSHAFT		1
11	10155	CRANKSHAFT TAPPET SEAL		1
12	11798	CRANKSHAFT LOCKER		1

<b>OKKS NUMBER</b>	4120
<b>Caliper Hand Brake Kit</b>	
<b>OEM NUMBER</b>	SJ1032

NR	OKKS NR	DESCRIPTION	DIMENSION	QTY
1	11796	CALIPER CRANKSHAFT		1
2	11228	CRANKSHAFT WASHER		1
3	10153	AUTO ADJUSTER ORING	BIG	1
4	11349	CRANKSHAFT CIRCLIP		1
5	11798	CRANKSHAFT LOCKER		1
6	10157	AUTO ADJUSTER PLASTIC RING		1
7	11229	CRANKSHAFT SCREW		1
8	11797	CALIPER CRANKSHAFT CAP		1
9	4109	CRANKSHAFT KNUCKLE	With Bush	1
10	11465	PIN BUSH	Ø 35 x 39 / 20 MM	1

<b>OKKS NUMBER</b>	3071
--------------------	------



Caliper Piston Repair Kit

<b>OEM NUMBER</b>	I1304130065 / I1179320065 / SCANIA: 1390429
-------------------	---

NR	OKKS NR	DESCRIPTION	DIMENSION	QTY
1	3007	THRUST PART WITH BELLOW	Ø 74 MM	2
2	11451	BUSH	Ø 16 x 18 / 10 MM	2

<b>OKKS NUMBER</b>	3073
--------------------	------



Caliper Boots & Piston Repair Kit

<b>OEM NUMBER</b>	IVECO: 42538002
-------------------	-----------------

NR	OKKS NR	DESCRIPTION	DIMENSION	QTY
1	3007	THRUST PART WITH BELLOW	74 MM	2
2	11451	BUSH	Ø 16x18/10 MM	2
3	10022	RUBBER BUSH	Ø 34 x 40 / 50 mm	1
4	3107	BELLOW CAP Kit		1
5	3108	PIN BOOT Kit		1

<b>OKKS NUMBER</b>	3077
--------------------	------



Caliper Guides & Seals Repair Kit

<b>OEM NUMBER</b>	K000375 / K067417K50 / MAN: 81.50822.6023 MERC: 000 420 2982 / IVECO: 42538002
-------------------	---

NR	OKKS NR	DESCRIPTION	DIMENSION	QTY
1	11467	BUSH	Ø 36 x 40 / 82 MM	1
2	11047	CALIPER PIN	Ø 36 / 114 MM	1
3	11130	PIN BOLT	M16 x 1.5 / 85 MM	1
4	11018	CALIPER PIN	Ø 32 / 80 MM	1
5	11129	PIN BOLT	M16 x 1.5 / 80 MM	1
6	3108	PIN BOOT Kit		1
7	3044	RUBBER BUSH Kit	39 MM	1
8	3103	PIN CAP Kit	Ø 54 / 28 mm	1
9	11513	PIN BOLT RING		1

<b>OKKS NUMBER</b>	3157
--------------------	------

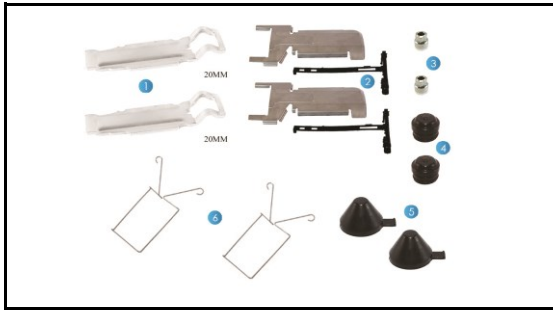


Caliper Guides & Seals Repair Kit

<b>OEM NUMBER</b>	K000472 / SCANIA: 1723416 / IVECO: 42541412 MERC: 000 420 3482 / MAN: 81.50822.6019
-------------------	--

NR	OKKS NR	DESCRIPTION	DIMENSION	QTY
1	11467	BUSH	Ø 36 x 40 / 82 mm	1
2	11047	CALIPER PIN	Ø 36 / 114 mm	1
3	11130	PIN BOLT	M16 x 1.5 / 85 mm	1
4	11018	CALIPER PIN	Ø 32 / 80 mm	1
5	11129	PIN BOLT	M16 x 1.5 / 80 mm	1
6	3108	PIN BOOT Kit		1
7	3044	RUBBERBUSH Kit	39 MM	1
8	11491	PIN CAP	Ø 40 / 14.5 mm	1
9	11513	PIN BOLT RING		1

<b>OKKS NUMBER</b>	4131
--------------------	------



Caliper Pad Holder Kit

<b>OEM NUMBER</b>	IVECO: 42541464
-------------------	-----------------

NR	OKKS NR	DESCRIPTION	DIMENSION	QTY
1	11601	PADRETAINER REPAIR KIT	20 MM	2
2	11727	CABLE PROTECTION KIT		2
3	11180	ADJUSTING MECHANISM ADAPTER		2
4	10065	ADJUSTING MECHANISM CAP		2
5	10021	ADJUSTING MECHANISM CAP	38 MM	2
6	11799	BRAKE PAD SHEET		2

<b>OKKS NUMBER</b>	4071
--------------------	------

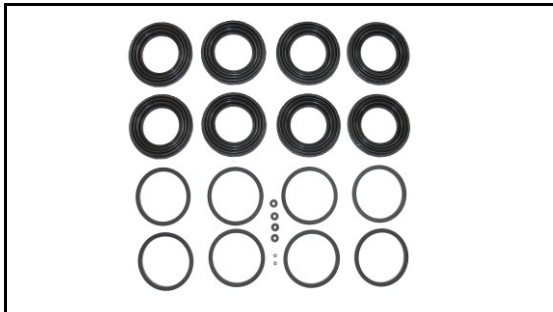


Hydraulic Caliper Boots & Caps Repair Kit

<b>OEM NUMBER</b>	KN 381.413 / IVECO:93161192
-------------------	-----------------------------

NR	OKKS NR	DESCRIPTION	DIMENSION	QTY
1	10142	CALIPER TAPPET BOOT		1
2	10144	PIN BOOT	BIG	2
3	10143	PIN BOOT	SMALL	2
4	11523	PIN BOOT RING	BIG	2
5	11524	PIN BOOT RING	SMALL	2
6	11525	SHAFT SHIELD		1
7	10145	TAPPET PLASTIC WASHER		1

<b>OKKS NUMBER</b>	4132
--------------------	------



Hydraulic Caliper Tappet Cover Repair Kit

<b>OEM NUMBER</b>	BRB 120320323 / IVECO:93161928
-------------------	--------------------------------

NR	OKKS NR	DESCRIPTION	DIMENSION	QTY


<b>OKKS NUMBER</b>	4133
--------------------	------



Adjusting Mechanism Repair Kit Right

<b>OEM NUMBER</b>	RBSK1599.M / RBSK1606.M
-------------------	-------------------------

NR	OKKS NR	DESCRIPTION	DIMENSION	QTY
1	11568	BRAKE ANCHOR PLUNGER	RIGHT	2
2	11719	ADJUSTING GUIDE SCREW		2
3	10158	BRAKE ANCHOR PLUNGER SEAL		2

<b>OKKS NUMBER</b>	4134
	
Caliper Adjusting Mechanism Kit Left	
<b>OEM NUMBER</b>	RBSK1600.M / RBSK1607.M

NR	OKKS NR	DESCRIPTION	DIMENSION	QTY
1	11569	BRAKE ANCHOR PLUNGER	LEFT	2
2	11719	ADJUSTING GUIDE SCREW		2
3	10158	BRAKE ANCHOR PLUNGER SEAL		2

<b>OKKS NUMBER</b>	4135
	
Caliper Adjusting Mechanism Kit	
<b>OEM NUMBER</b>	12 999 418VT

NR	OKKS NR	DESCRIPTION	DIMENSION	QTY
1	11230	BRAKE ADJUSTING BOLT		2
2	11322	BRAKE ADJUSTING RING		2
3	11321	BRAKE ADJUSTING WASHER		2
4	10159	BRAKE ADJUSTING PLUNGER SEAL		2

<b>OKKS NUMBER</b>	4136
	
Caliper Adjusting Mechanism Kit (Thin)	
<b>OEM NUMBER</b>	IVECO: 93161623

NR	OKKS NR	DESCRIPTION	DIMENSION	QTY
1	11574	BRAKE ADJUSTING PLUNGER	Ø 38,50*55,50 MM	1
2	11567	BRAKE ADJUSTING ACTUATOR	THIN TEETH	1
3	11800	BRAKE ADJUSTING GUIDE PAWL	THIN TEETH	1

<b>OKKS NUMBER</b>	4137
	
Caliper Adjusting Mechanism Kit (Thick)	
<b>OEM NUMBER</b>	IVECO: 42536195


NR	OKKS NR	DESCRIPTION	DIMENSION	QTY
1	11575	BRAKE ADJUSTING PLUNGER	Ø 38,50*55,50 MM	1
2	11566	BRAKE ADJUSTING ACTUATOR	THICK TEETH	1
3	11801	BRAKE ADJUSTING GUIDE PAWL	THICK TEETH	1

<b>OKKS NUMBER</b>	11232
	
Caliper Adjusting Mechanism Kit	
<b>OEM NUMBER</b>	IVECO: 42531676


NR	OKKS NR	DESCRIPTION	DIMENSION	QTY

<b>OKKS NUMBER</b>	4139
	
Caliper Guides & Seals Repair Kit	
<b>OEM NUMBER</b>	KN 381.391 / IVECO: 93161189


NR	OKKS NR	DESCRIPTION	DIMENSION	QTY
1	11094	CALIPER PIN	Ø 24 x 92 MM	1
2	11584	BUSH	Ø 38 x 24 / 55 MM	1
3	11093	CALIPER PIN	Ø 45 x 150 MM	1
4	11234	PIN BOLT	M22 x 1.5 / 175 MM	1
5	11235	PIN BOLT	M16 x 1.5 / 124 MM	1
6	11585	BUSH	Ø 50 x 45 / 40 MM	2

<b>OKKS NUMBER</b>	4140
	
Caliper Guides & Seals Repair Kit	
<b>OEM NUMBER</b>	KN381.419 ADB3700 / ADB4300 / IVECO: 93161560


NR	OKKS NR	DESCRIPTION	DIMENSION	QTY
1	11802	CALIPER CLAMPING ELEMENT		1
2	11803	RETAINER SHEET METAL		1
3	11804	PAD RETAINER BAR		1
4	11805	PAD BUCKLE		1
5	11807	PAD RETAINER LOCKER		2
6	11806	PAD RETAINER PIN		2
7	11808	PAD ADJUSTING TOOL		1

<b>OKKS NUMBER</b>	4141
	
Caliper Pad Retainer Repair Kit	
<b>OEM NUMBER</b>	I133692 / ADB3700 / ADB4300 IVECO: 93161843


NR	OKKS NR	DESCRIPTION	DIMENSION	QTY
1	11806	PAD RETAINER PIN		4
2	11807	PAD RETAINER LOCKER		4

<b>OKKS NUMBER</b>	4142
	
Adjuster Repair Kit	
<b>OEM NUMBER</b>	RBSK0549B.M / IVECO: 42491974

NR	OKKS NR	DESCRIPTION	DIMENSION	QTY
1	11581	BRAKE ADJUSTING PLUNGER		1
2	10160	BRAKE ADJUSTING PLUNGER SEAL		1
3	11564	BRAKE ADJUSTING ACTUATOR		1
4	11800	BRAKE ADJUSTING GUIDE PAWL		2

<b>OKKS NUMBER</b>	4143
	
Adjuster Repair Kit Left	
<b>OEM NUMBER</b>	RBSK0248B.M / IVECO: 7980406

NR	OKKS NR	DESCRIPTION	DIMENSION	QTY
1	11571	BRAKE ANCHOR PLUNGER	∅ 35 MM / LEFT	1
2	10161	BRAKE ANCHOR PLUNGER SEAL		1
3	11800	BRAKE ADJUSTING GUIDE PAWL		2

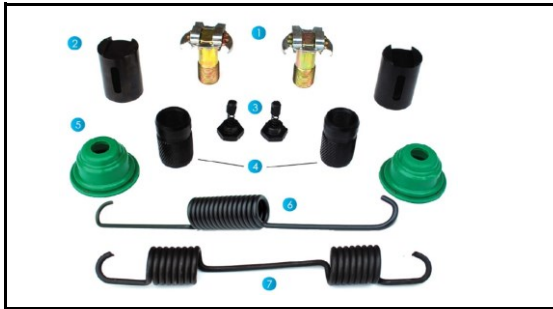
<b>OKKS NUMBER</b>	4144
	
Adjuster Repair Kit Right	
<b>OEM NUMBER</b>	RBSK0248.M / IVECO: 7980405

NR	OKKS NR	DESCRIPTION	DIMENSION	QTY
1	11570	BRAKE ANCHOR PLUNGER		2
2	10160	BRAKE ADJUSTING PLUNGER SEAL		1
3	11800	BRAKE ADJUSTING GUIDE PAWL		1

<b>OKKS NUMBER</b>	4145
	
Adjuster Repair Kit	
<b>OEM NUMBER</b>	RBSK0502.M / IVECO: 42491950

NR	OKKS NR	DESCRIPTION	DIMENSION	QTY
1	11233	BRAKE ADJUSTING BOLT		2
2	11581	BRAKE ADJUSTING PLUNGER		2
3	11564	BRAKE ADJUSTING ACTUATOR		2
4	10160	BRAKE ADJUSTING PLUNGER SEAL		2
5	11800	BRAKE ADJUSTING GUIDE PAWL		2
6	11810	BRAKE SHOE RETURN SPRING	LENGHT 216 MM ∅ 24 MM	2

<b>OKKS NUMBER</b>	4146
--------------------	------



Adjuster Repair Kit

<b>OEM NUMBER</b>	IVECO: 93161622 / 93161114
-------------------	----------------------------

NR	OKKS NR	DESCRIPTION	DIMENSION	QTY
1	11232	BRAKE ADJUSTING BOLT		2
2	11574	BRAKE ADJUSTING PLUNGER		2
3	11800	BRAKE ADJUSTING GUIDE PAWL		2
4	11567	BRAKE ADJUSTING ACTUATOR		2
5	10162	BRAKE ADJUSTING PLUNGER SEAL		2
6	11811	BRAKE SHOE RETURN SPRING	LENGHT 220 MM Ø 21.50 MM	1
7	11812	BRAKE SHOE RETURN SPRING	LENGHT 245 MM Ø 28.00 MM	1

<b>OKKS NUMBER</b>	4147
--------------------	------



Adjuster Repair Kit

<b>OEM NUMBER</b>	IVECO: 93161256
-------------------	-----------------

NR	OKKS NR	DESCRIPTION	DIMENSION	QTY
1	11578	ADJUSTER ACTUATOR UPPER	Ø 38 x 21,50 mm	2
2	11579	ADJUSTING ACTUATOR LOWER	Ø 32 x 18,30 mm	2
3	15396	ADJUSTING GUIDE PAWL		2

<b>OKKS NUMBER</b>	4148
--------------------	------



Adjuster Repair Kit

<b>OEM NUMBER</b>	RBSK1255.M / RBSK1573.M / RBSK2051.M IVECO: 93161621 / 42536194 / 42537942
-------------------	---

NR	OKKS NR	DESCRIPTION	DIMENSION	QTY
1	11817	BRAKE WEDGE		2

<b>OKKS NUMBER</b>	11820
--------------------	-------

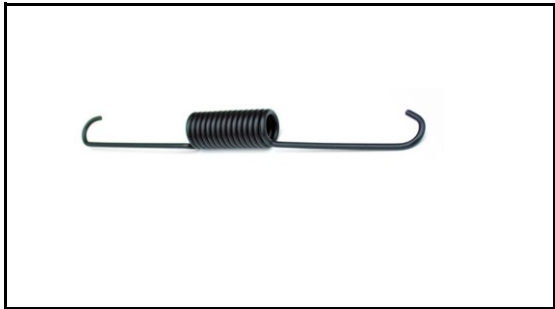


Brake Wedge

<b>OEM NUMBER</b>	A2247U47 / A2247D1018 IVECO: 42480062 / VOLVO: 1695493
-------------------	---

NR	OKKS NR	DESCRIPTION	DIMENSION	QTY

OKKS NUMBER	11811
-------------	-------



Return Spring (Length 220 mm Ø 21.50 mm)

OEM NUMBER	2258D1122
------------	-----------

NR	OKKS NR	DESCRIPTION	DIMENSION	QTY

OKKS NUMBER	11812
-------------	-------



Return Spring (Length 245 mm Ø 28.00 mm)

OEM NUMBER	2258F1306
------------	-----------

NR	OKKS NR	DESCRIPTION	DIMENSION	QTY

OKKS NUMBER	4152
-------------	------



Brake Adjuster Repair Kit

OEM NUMBER	RBSK2030.M / IVECO: 93161625
------------	------------------------------

NR	OKKS NR	DESCRIPTION	DIMENSION	QTY
1	10162	BRAKE ADJUSTING PLUNGER SEAL		5

OKKS NUMBER	4153
-------------	------



Brake Adjuster Repair Kit

OEM NUMBER	RBSK0251B.M / IVECO: 7980408
------------	------------------------------

NR	OKKS NR	DESCRIPTION	DIMENSION	QTY
1	10160	BRAKE ADJUSTING PLUNGER SEAL		1
2	10161	BRAKE ANCHOR PLUNGER SEAL		1













OKKS NUMBER	11801
-------------	-------



Brake Adjusting Guide Pawl

OEM NUMBER	A12297S8287 / FORD: 6C462A105AB
------------	---------------------------------

NR	OKKS NR	DESCRIPTION	DIMENSION	QTY

OKKS NUMBER	11719
-------------	-------

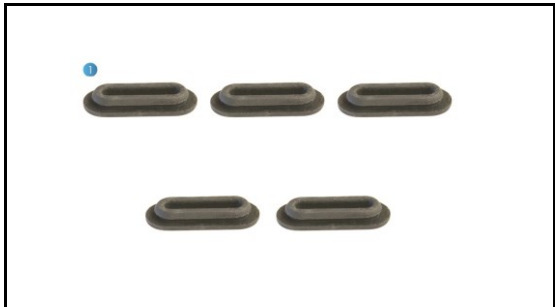


Brake Adjusting Guide Screw

OEM NUMBER	A3280K8435 / FORD: 6C462045AA
------------	-------------------------------

NR	OKKS NR	DESCRIPTION	DIMENSION	QTY

OKKS NUMBER	4176
-------------	------

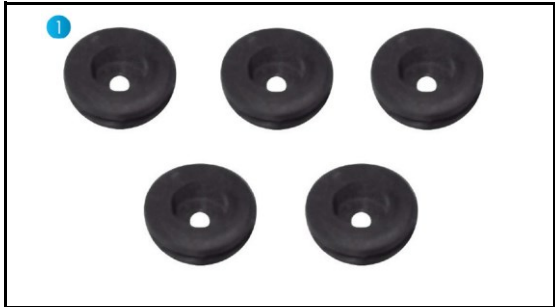


Rubber Plug Kit

OEM NUMBER	1250L532
------------	----------

NR	OKKS NR	DESCRIPTION	DIMENSION	QTY
1	10163	RUBBER PLUG		5


OKKS NUMBER	4177
-------------	------



Sensor Plug Kit

OEM NUMBER	1250Y1013
------------	-----------


NR	OKKS NR	DESCRIPTION	DIMENSION	QTY
1	10164	SENSOR PLUG		5

<b>OKKS NUMBER</b>	4178
	
Rubber Plug Kit	
<b>OEM NUMBER</b>	1250Z1014

NR	OKKS NR	DESCRIPTION	DIMENSION	QTY
1	10165	SENSOR PLUG		5

<b>OKKS NUMBER</b>	4179
	
Brake Wedge Kit	
<b>OEM NUMBER</b>	RBSK0250B.M / IVECO: 7980407 / 93161353

NR	OKKS NR	DESCRIPTION	DIMENSION	QTY
1	11820	BRAKE WEDGE		2

<b>OKKS NUMBER</b>	4180
	
Caliper Boot Set	
<b>OEM NUMBER</b>	12 999 199VT / IVECO: 9316118 OTOKAR: 12E0008228AA

NR	OKKS NR	DESCRIPTION	DIMENSION	QTY
1	10166	CALIPER PISTON BOOT	Ø 34 x 70 mm	4
2	10167	CALIPER PISTON SEAL		4

<b>OKKS NUMBER</b>	4181
	
Adjuster Repair Kit	
<b>OEM NUMBER</b>	IVECO: 42536197 / 42558432

NR	OKKS NR	DESCRIPTION	DIMENSION	QTY
1	11232	BRAKE ADJUSTING BOLT		2
2	11575	BRAKE ADJUSTING PLUNGER	Ø 38,50*55,50 MM	2
3	11566	BRAKE ADJUSTING ACTUATOR	THICK TEETH	2
4	11801	BRAKE ADJUSTING GUIDE PAWL	THICK TEETH	2
5	10162	BRAKE ADJUSTING PLUNGER SEAL		2
6	11814	ADJUSTING RETURN SPRING		2

OKKS NUMBER	11817
-------------	-------



Brake Wedge

OEM NUMBER	A2247L1000 / FORD: 6C462B024AA
------------	--------------------------------

NR	OKKS NR	DESCRIPTION	DIMENSION	QTY

OKKS NUMBER	4183
-------------	------



Caliper Brake Adjuster Repair Kit

OEM NUMBER	
------------	--

NR	OKKS NR	DESCRIPTION	DIMENSION	QTY
1	4184	BRAKE ADJUSTER MECHANISM		2
2	11819	BRAKE ADJUSTING BOLT		2
3	10159	BRAKE ADJUSTING SEAL		2

OKKS NUMBER	4184
-------------	------



Caliper Adjusting Mechanism

OEM NUMBER	
------------	--

NR	OKKS NR	DESCRIPTION	DIMENSION	QTY
1	11582	BRAKE ADJUSTER PLUNGER	∅ 41,50 x 49,00 mm	1
2	11577	BRAKE ADJUSTING ACTUATOR UPPER	∅ 36 x 21,50 mm	1
3	11579	BRAKE ADJUSTING ACTUATOR LOWER	∅ 32 x 18,30 mm	1
4	11230	BRAKE ADJUSTING BOLT		1
5	11321	BRAKE ADJUSTING WASHER		1
6	11322	BRAKE ADJUSTING RING		1

OKKS NUMBER	4185
-------------	------



Caliper Adjusting Mechanism Repair Kit

OEM NUMBER	12 999 402VT / 93161267
------------	-------------------------

NR	OKKS NR	DESCRIPTION	DIMENSION	QTY
1	11582	BRAKE ADJUSTER PLUNGER	∅ 41,50 x 49,00 mm	2
2	11825	BRAKE WEDGE		1



<b>OKKS NUMBER</b>	4186
--------------------	------

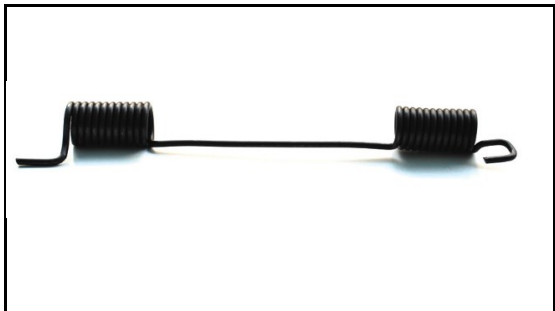


Caliper Brake Adjuster Complete Repair Kit

<b>OEM NUMBER</b>	
-------------------	--

NR	OKKS NR	DESCRIPTION	DIMENSION	QTY
1	4184	BRAKE ADJUSTER MECHANISM		2
2	11819	BRAKE ADJUSTING BOLT		2
3	11825	BRAKE WEDGE		2
4	10159	BRAKE ADJUSTING SEAL		2
5	11816	BRAKE SHOE RETURN SPRING		1
6	11815	BRAKE SHOE RETURN SPRING		1

<b>OKKS NUMBER</b>	11815
--------------------	-------



Return Spring

<b>OEM NUMBER</b>	13 301 212 / 8121307
-------------------	----------------------

NR	OKKS NR	DESCRIPTION	DIMENSION	QTY

<b>OKKS NUMBER</b>	11816
--------------------	-------

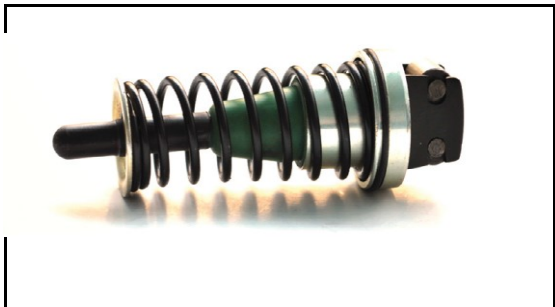


Return Spring

<b>OEM NUMBER</b>	13 301 191 / 8121308
-------------------	----------------------

NR	OKKS NR	DESCRIPTION	DIMENSION	QTY

<b>OKKS NUMBER</b>	11825
--------------------	-------

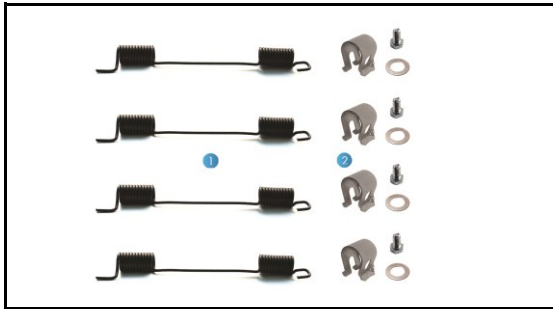


Brake Wedge

<b>OEM NUMBER</b>	
-------------------	--

NR	OKKS NR	DESCRIPTION	DIMENSION	QTY

OKKS NUMBER	4191
-------------	------



Caliper Return Spring Repair Kit

OEM NUMBER	12 999 443VT
------------	--------------

NR	OKKS NR	DESCRIPTION	DIMENSION	QTY
1	11815	BRAKE SHOE RETURN SPRING		4
2	11821	HOLD DOWN CLIP REPAIR KIT		4

OKKS NUMBER	4192
-------------	------



Caliper Brake Adjuster Repair Kit

OEM NUMBER	
------------	--

NR	OKKS NR	DESCRIPTION	DIMENSION	QTY
1	4193	BRAKE ADJUSTER REPAIR KIT		2
2	11819	BRAKE ADJUSTING GUIDE PAWL		2
3	10159	BRAKE ADJUSTING SEAL		2

OKKS NUMBER	4193
-------------	------



Brake Adjuster Repair Kit

OEM NUMBER	
------------	--

NR	OKKS NR	DESCRIPTION	DIMENSION	QTY
1	11583	BRAKE ADJUSTING PLUNGER	∅ 43,90 x 61,00 mm	1
2	11578	BRAKE ADJUSTING ACTUATOR UPPER	∅ 38 x 21,50 mm	1
3	11579	BRAKE ADJUSTING ACTUATOR LOWER	∅ 32 x 18,30 mm	1
4	11230	BRAKE ADJUSTING BOLT		1
5	11321	BRAKE ADJUSTING WASHER		1
6	11322	BRAKE ADJUSTING RING		1

OKKS NUMBER	4194
-------------	------



Caliper Brake Adjuster Repair Kit

OEM NUMBER	12 999 411VT / 93161256
------------	-------------------------

NR	OKKS NR	DESCRIPTION	DIMENSION	QTY
1	11578	BRAKE ADJUSTING ACTUATOR UPPER	∅ 38 x 21,50 mm	2
2	11819	BRAKE ADJUSTING GUIDE PAWL		2
3	11579	BRAKE ADJUSTING ACTUATOR LOWER	∅ 32 x 18,30 mm	2

OKKS NUMBER	4195
-------------	------

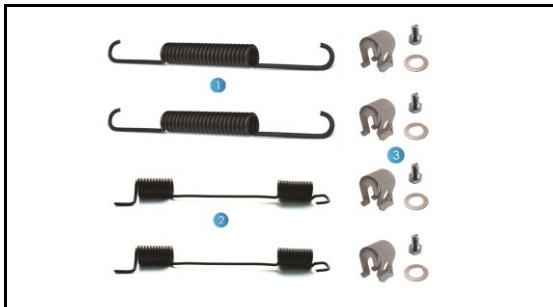


Caliper Adjusting Mechanism Repair Kit

OEM NUMBER	12 999 410VT / DAF: 1505883 IVECO: 93161768 / 93161255 / 118689
------------	--

NR	OKKS NR	DESCRIPTION	DIMENSION	QTY
1	11583	BRAKE ADJUSTING PLUNGER	∅ 43,90 x 61,00 mm	2
2	11826	BRAKE WEDGE		1

OKKS NUMBER	4196
-------------	------

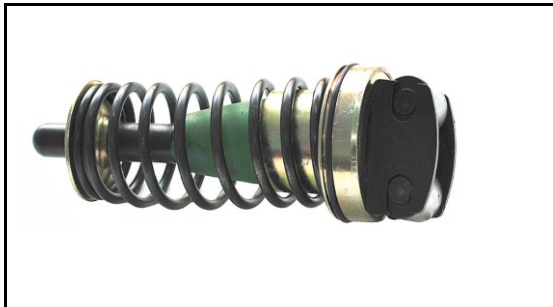


Caliper Return Spring Repair Kit

OEM NUMBER	12 999 573VT
------------	--------------

NR	OKKS NR	DESCRIPTION	DIMENSION	QTY
1	11816	BRAKE SHOE RETURN SPRING		2
2	11815	BRAKE SHOE RETURN SPRING		2
3	11821	HOLD DOWN CLIP REPAIR KIT		4

OKKS NUMBER	11826
-------------	-------



Brake Wedge

OEM NUMBER	
------------	--

NR	OKKS NR	DESCRIPTION	DIMENSION	QTY

OKKS NUMBER	4198
-------------	------



Caliper Brake Adjuster Complete Repair Kit

OEM NUMBER	
------------	--

NR	OKKS NR	DESCRIPTION	DIMENSION	QTY
1	4193	BRAKE ADJUSTER REPAIR KIT		2
2	11819	BRAKE ADJUSTING GUIDE PAWL		2
3	11826	BRAKE WEDGE		1
4	10159	BRAKE ADJUSTING SEAL		2
5	11816	BRAKE SHOE RETURN SPRING		1
6	11815	BRAKE SHOE RETURN SPRING		1

<b>OKKS NUMBER</b>	4199
--------------------	------



Caliper Brake Adjuster Repair Kit

<b>OEM NUMBER</b>	RBSK1408.M
-------------------	------------

NR	OKKS NR	DESCRIPTION	DIMENSION	QTY
1	11232	BRAKE ADJUSTING BOLT		2
2	11574	BRAKE ADJUSTING PLUNGER	∅ 38,50*55,50 MM	2
3	10162	BRAKE ADJUSTING PLUNGER SEAL		2
4	11567	BRAKE ADJUSTING ACTUATOR	THIN TEETH	2
5	11800	BRAKE ADJUSTING GUIDE PAWL	THIN TEETH	2
6	11811	BRAKE SHOE RETURN SPRING		1
7	11812	BRAKE SHOE RETURN SPRING		1

<b>OKKS NUMBER</b>	4200
--------------------	------



Brake Adjuster Repair Kit

<b>OEM NUMBER</b>	IVECO: 42536193
-------------------	-----------------

NR	OKKS NR	DESCRIPTION	DIMENSION	QTY
1	10162	BRAKE ADJUSTING PLUNGER SEAL		4
2	10158	BRAKE ANCHOR PLUNGER SEAL		4

<b>OKKS NUMBER</b>	4201
--------------------	------



Caliper Guides Bush Repair Kit

<b>OEM NUMBER</b>	09.801.07.61.0
-------------------	----------------

NR	OKKS NR	DESCRIPTION	DIMENSION	QTY
1	10037	PIN CAP	PLASTIC	2
2	10081	O-RING	Ø 36 / 3,5 MM	1
3	11476	BUSH	Ø 41 x 37 / 30 MM	1
4	11477	BUSH	Ø 41 x 37 / 73 MM	1
5	11045	CALIPER PIN	Ø 36 / 70 MM	1
6	11127	PIN BOLT	Ø M16 x 1,5 / 70 MM	1
7	11132	PIN BOLT	Ø M16 x 1,5 / 100 MM	1
8	11050	CALIPER PIN	Ø 37 / 123 MM	1
9	11274	PIN CLIPS		1

<b>OKKS NUMBER</b>	4202
--------------------	------



Caliper Calibration Bolt & Boots Repair Kit With Pin

<b>OEM NUMBER</b>	09.801.07.63.1 / 05.801.50.90.0
-------------------	---------------------------------

NR	OKKS NR	DESCRIPTION	DIMENSION	QTY
1	11958	TAPPET BOOT		2
2	10039	TAPPET		2
3	11275	TAPPET CLAMP		2
4	11709	COVER LOCKER		2

<b>OKKS NUMBER</b>	4203
--------------------	------



Caliper Calibration Bolt & Boots Repair Kit Without Pin

<b>OEM NUMBER</b>	09.801.07.63.0
-------------------	----------------

NR	OKKS NR	DESCRIPTION	DIMENSION	QTY
1	11957	TAPPET BOOT		2
2	10039	TAPPET		2
3	11275	TAPPET CLAMP		2
4	11709	COVER LOCKER		2


<b>OKKS NUMBER</b>	4204
--------------------	------



Caliper Boots & Cap Repair Kit

<b>OEM NUMBER</b>	09.801.07.62.0
-------------------	----------------

NR	OKKS NR	DESCRIPTION	DIMENSION	QTY
1	10169	PIN BOOT		2
2	10037	PIN CAP	PLASTIC	2
3	10170	PLUG		1
4	10038	WASHER	PLASTIC	2
5	10081	O-RING	Ø 36 / 3,5 MM	1

<b>OKKS NUMBER</b>	4205
	
Caliper Guides & Seals Repair Kit	
<b>OEM NUMBER</b>	

NR	OKKS NR	DESCRIPTION	DIMENSION	QTY
1	10037	PIN CAP	PLASTIC	2
2	10081	O-RING	Ø 36 / 3,5 MM	1
3	11476	BUSH	Ø 41 x 37 / 30 MM	1
4	11477	BUSH	Ø 41 x 37 / 73 MM	1
5	11045	CALIPER PIN	Ø 36 / 70 MM	1
6	11127	PIN BOLT	Ø M16 x 1,5 / 70 MM	1
7	11132	PIN BOLT	Ø M16 x 1,5 / 100 MM	1
8	11050	CALIPER PIN	Ø 37 / 123 MM	1
9	11274	PIN CLIPS		1
10	10169	PIN BOOT		2
11	10038	RING	PLASTIC	2
12	10170	PLUG		1

<b>OKKS NUMBER</b>	4206
	
Caliper Boots & Cap Repair Kit	
<b>OEM NUMBER</b>	

NR	OKKS NR	DESCRIPTION	DIMENSION	QTY
1	10169	PIN BOOT		2
2	10037	PIN CAP	PLASTIC	2
3	10170	PLUG		1
4	10038	WASHER		2
5	10081	O-RING	Ø 36 / 3,5 MM	1
6	11476	BUSH	Ø 41 x 37 / 30 MM	1
7	11477	BUSH	Ø 41 x 37 / 73 MM	1

<b>OKKS NUMBER</b>	4207
	
Caliper Guides & Cap Repair Kit	
<b>OEM NUMBER</b>	

NR	OKKS NR	DESCRIPTION	DIMENSION	QTY
1	10037	PIN CAP	PLASTIC	2
2	10081	O-RING	Ø 36 / 3,5 MM	1
3	11476	BUSH	Ø 41 x 37 / 30 MM	1
4	11477	BUSH	Ø 41 x 37 / 73 MM	1
5	11045	CALIPER PIN	Ø 36 / 70 MM	1
6	11127	PIN BOLT	Ø M16 x 1,5 / 70 MM	1
7	11132	PIN BOLT	Ø M16 x 1,5 / 100 MM	1
8	11050	CALIPER PIN	Ø 37 / 123 MM	1
9	11274	PIN CLIPS		1

<b>OKKS NUMBER</b>	4208
	
Caliper Boots & Cap Repair Kit	
<b>OEM NUMBER</b>	09.801.07.62.0

NR	OKKS NR	DESCRIPTION	DIMENSION	QTY
1	10169	PIN BOOT		2
2	10037	PIN CAP	PLASTIC	2
3	10170	PLUG		1
4	10038	WASHER	PLASTIC	2
5	10081	O-RING	Ø 36 / 3,5 MM	1
6	11476	BUSH	Ø 41 x 37 / 30 MM	1
7	11477	BUSH	Ø 41 x 37 / 73 MM	1



Caliper Guides & Cap Repair Kit



NR	OKKS NR	DESCRIPTION	DIMENSION	QTY
1	10037	PIN CAP	PLASTIC	2
2	10081	O-RING	Ø 36 / 3,5 MM	1
3	11476	BUSH	Ø 41 x 37 / 30 MM	1
4	11477	BUSH	Ø 41 x 37 / 73 MM	1
5	11045	CALIPER PIN	Ø 36 / 70 MM	1
6	11127	PIN BOLT	Ø M16 x 1,5 / 70 MM	1
7	11132	PIN BOLT	Ø M16 x 1,5 / 100 MM	1
8	11050	CALIPER PIN	Ø 37 / 123 MM	1



Caliper Seals & Cap Repair Kit



NR	OKKS NR	DESCRIPTION	DIMENSION	QTY
1	10037	PIN CAP	PLASTIC	2
2	10038	WASHER	PLASTIC	2



Caliper Guides & Pad Holder Repair Kit



NR	OKKS NR	DESCRIPTION	DIMENSION	QTY
1	11827	PAD RETAINER		1
2	11050	CALIPER PIN	Ø 37 / 123 MM	1
3	11045	CALIPER PIN	Ø 36 / 70 MM	1
4	10038	RING	PLASTIC	2
5	11132	PIN BOLT	Ø M16 x 1,5 / 100 MM	1
6	11127	PIN BOLT	Ø M16 x 1,5 / 70 MM	1



Caliper Guides & Pad Holder Repair Kit



NR	OKKS NR	DESCRIPTION	DIMENSION	QTY
1	11827	PAD RETAINER		1
2	11828	PAD RETAINER PIN		1
3	11725	SPLIT COTTER PIN		1
4	11185	WASHER		1
5	11045	CALIPER PIN	Ø 36 / 70 MM	1
6	11127	PIN BOLT	Ø M16 x 1,5 / 70 MM	1
7	11132	PIN BOLT	Ø M16 x 1,5 / 100 MM	1
8	11050	CALIPER PIN	Ø 37 / 123 MM	1
9	10038	RING	PLASTIC	2



Caliper Guides Repair Kit

<b>OEM NUMBER</b>	09.801.05.81.0
-------------------	----------------

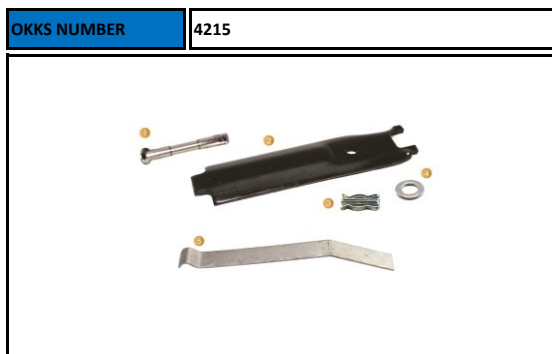
NR	OKKS NR	DESCRIPTION	DIMENSION	QTY
1	11827	PAD RETAINER		1
2	11828	PAD RETAINER PIN		1
3	11725	SPLIT COTTER PIN		1
4	11185	WASHER		1
5	11045	CALIPER PIN	Ø 36 / 70 MM	1
6	11127	PIN BOLT	Ø M16 x 1,5 / 70 MM	1
7	11132	PIN BOLT	Ø M16 x 1,5 / 100 MM	1
8	11050	CALIPER PIN	Ø 37 / 123 MM	1
9	10038	RING	PLASTIC	2
10	11276	PAD RETAINER SPRING		1



Caliper Guides Repair Kit

<b>OEM NUMBER</b>	03.001.00.54.C
-------------------	----------------

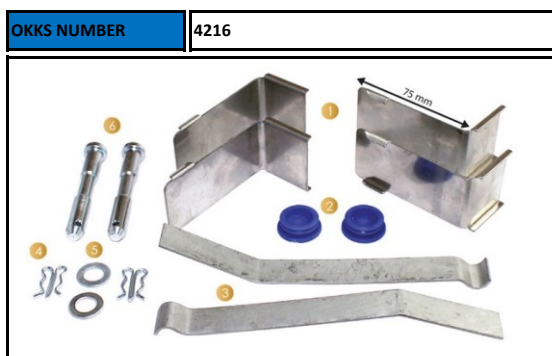
NR	OKKS NR	DESCRIPTION	DIMENSION	QTY
1	11827	PAD RETAINER		1
2	11828	PAD RETAINER PIN		1
3	11725	SPLIT COTTER PIN		1
4	11185	WASHER		1



Caliper Guides Repair Kit

<b>OEM NUMBER</b>	09.801.07.68.1
-------------------	----------------

NR	OKKS NR	DESCRIPTION	DIMENSION	QTY
1	11828	PAD RETAINER PIN		1
2	11827	PAD RETAINER		1
3	11725	SPLIT COTTER PIN		1
4	11185	WASHER		1
5	11276	PAD RETAINER SPRING		1



Caliper Pad Holder Repair Kit

<b>OEM NUMBER</b>	
-------------------	--

NR	OKKS NR	DESCRIPTION	DIMENSION	QTY
1	11715	PAD RETAINER SHEET		4
2	10170	PLUG		2
3	11276	PAD RETAINER SPRING		2
4	11725	SPLIT COTTER PIN		2
5	11185	WASHER		2
6	11828	PAD RETAINER PIN		2



<b>OKKS NUMBER</b>	4217
--------------------	------



Adjusting Mechanism Repair Kit

<b>OEM NUMBER</b>	
-------------------	--

NR	OKKS NR	DESCRIPTION	DIMENSION	QTY
1	11277	SPRING		1
2	11830	PINION		1
3	10168	SEAL		1
4	11511	BUSH		1
5	11829	RING		1
6	11236	WASHER		1

<b>OKKS NUMBER</b>	4218
--------------------	------



Caliper Roller Bearing

<b>OEM NUMBER</b>	
-------------------	--

NR	OKKS NR	DESCRIPTION	DIMENSION	QTY
1	11278	ROLLER BEARING		2

<b>OKKS NUMBER</b>	4219
--------------------	------



Caliper Roller Bearing

<b>OEM NUMBER</b>	
-------------------	--

NR	OKKS NR	DESCRIPTION	DIMENSION	QTY
1	11279	ROLLER BEARING	FLAT	2

<b>OKKS NUMBER</b>	4220
--------------------	------



Caliper Roller Bearing Kit

<b>OEM NUMBER</b>	
-------------------	--

NR	OKKS NR	DESCRIPTION	DIMENSION	QTY
1	11278	ROLLER BEARING		2
1	11279	ROLLER BEARING	FLAT	2





OKKS NUMBER	4228
-------------	------



Caliper Cover & Adjusting Mech.Repair Kit

OEM NUMBER	
------------	--

NR	OKKS NR	DESCRIPTION	DIMENSION	QTY
1	11716	COVER WITH MECHANISM		1
2	11104	BOLT	Ø M8 x 1.25 / 16 MM	8
3	11184	MECHANISM INTERNAL WASHER		1

OKKS NUMBER	11179
-------------	-------



Caliper Gear Adjusting Mechanism

OEM NUMBER	
------------	--

NR	OKKS NR	DESCRIPTION	DIMENSION	QTY

OKKS NUMBER	4230
-------------	------



Caliper Gear Adjusting Mechanism & Washer Lock

OEM NUMBER	
------------	--

NR	OKKS NR	DESCRIPTION	DIMENSION	QTY
1	11179	CALIPER MECHANISM SHAFT		1
2	11183	CALIPER MECHANISM WASHER		1

OKKS NUMBER	4231
-------------	------



Adjustment Mechanism Washer Lock

OEM NUMBER	
------------	--

NR	OKKS NR	DESCRIPTION	DIMENSION	QTY
1	11183	CALIPER MECHANISM WASHER		5



OKKS NUMBER	4236
-------------	------

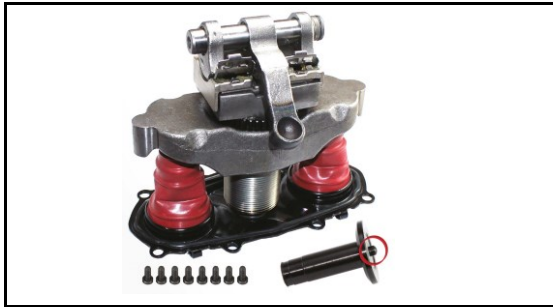


Caliper Adjusting Mech. Washer Lock Repair Kit

OEM NUMBER	
------------	--

NR	OKKS NR	DESCRIPTION	DIMENSION	QTY
1	11184	MECHANISM INTERNAL WASHER		1
2	11179	CALIPER MECHANISM WASHER		1
3	11303	ROLLER BEARING		1
4	11563	CALIPER ADJUSTING PLUG		1

OKKS NUMBER	4237
-------------	------



Caliper Adjusting Mechanism Kit With Pin

OEM NUMBER	
------------	--

NR	OKKS NR	DESCRIPTION	DIMENSION	QTY

OKKS NUMBER	4238
-------------	------



Caliper Adjusting Mechanism Kit Without Pin

OEM NUMBER	
------------	--

NR	OKKS NR	DESCRIPTION	DIMENSION	QTY





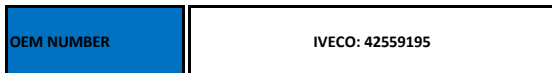
Caliper Guides & Seals Repair Kit



NR	OKKS NR	DESCRIPTION	DIMENSION	QTY
1	11064	CALIPER PIN	∅ 22 / 90 MM	2
2	11215	BOLT	M12 x 1.75 / 110 MM	2
3	10130	PIN BOOT		4



Caliper Guides & Seals Repair Kit



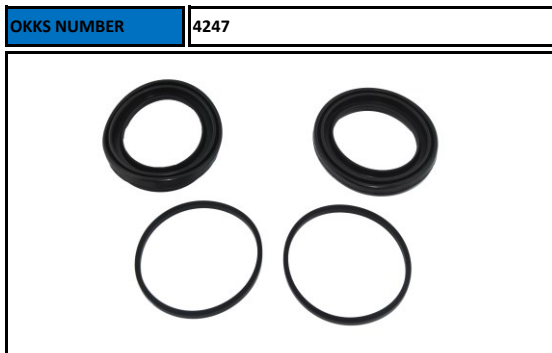
NR	OKKS NR	DESCRIPTION	DIMENSION	QTY
1	11065	CALIPER PIN	∅ 22 / 98 MM	2
2	11216	BOLT	M12 x 1.75 / 120 MM	2
3	10130	PIN BOOT		4



Caliper Boots & Seals Repair Kit



NR	OKKS NR	DESCRIPTION	DIMENSION	QTY
1	10131	PISTON BOOT	∅ 40 MM	2
2	10132	PISTON SEAL	∅ 40 MM	2
3	10133	PIN BOOT		4
4	10134	HEAD PLUG		2



Caliper Boots & Seals Repair Kit



NR	OKKS NR	DESCRIPTION	DIMENSION	QTY
1	10131	PISTON BOOT	∅ 40 MM	2
2	10132	PISTON SEAL	∅ 40 MM	2





Caliper Guides & Boots Repair Kit



NR	OKKS NR	DESCRIPTION	DIMENSION	QTY
1	11070	CALIPER PIN	∅ 18 / 66 MM	1
2	11071	CALIPER PIN - WITH BUSH SLOT	∅ 18 / 66 MM	1
3	11217	PIN BOLT	M8 x 1.25 / 70 MM	2
4	10135	HEAD PLUG		2
5	10136	PIN BOOT		2
6	10137	PIN RUBBER SLEEVE		1



Caliper Guides & Boots Repair Kit



NR	OKKS NR	DESCRIPTION	DIMENSION	QTY
1	11072	CALIPER PIN	∅ 18 / 63 MM	2
2	10135	HEAD PLUG		2
3	11217	PIN BOLT	M8 x 1.25 / 70 MM	2
4	10133	PIN BOOT		2



Caliper Guides & Boots Repair Kit



NR	OKKS NR	DESCRIPTION	DIMENSION	QTY
1	11073	CALIPER PIN	∅ 18 / 66 MM	2
2	10135	HEAD PLUG		2
3	11217	PIN BOLT	M8 x 1.25 / 70 MM	2
4	10133	PIN BOOT		2
5	11218	PIN BOOT CLAMP		2



Caliper Guides & Boots Repair Kit



NR	OKKS NR	DESCRIPTION	DIMENSION	QTY
1	11074	CALIPER PIN	∅ 11.50 / 82 mm	1
2	11075	CALIPER PIN	∅ 12.15 / 82 mm	1
3	11219	BOLT	M10 x 1.25 / 30 MM	2
4	10138	PIN BOOT		2
5	10139	PIN RUBBER SLEEVE		1



<b>OKKS NUMBER</b>	4256
--------------------	------

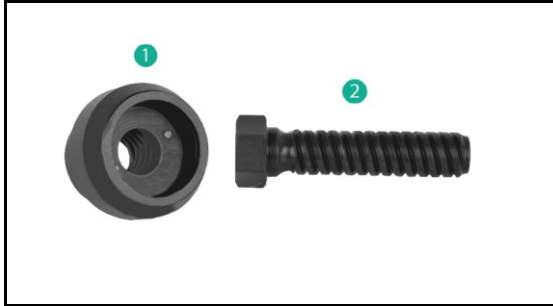


Caliper Wedge Repair Kit

<b>OEM NUMBER</b>	
-------------------	--

NR	OKKS NR	DESCRIPTION	DIMENSION	QTY
1	11788	CRANKSHAFT TAPPET	Ø 34 / 39 MM	1
2	10140	CALIPER SEAL		1

<b>OKKS NUMBER</b>	4257
--------------------	------



Caliper Adjusting Mechanism

<b>OEM NUMBER</b>	
-------------------	--

NR	OKKS NR	DESCRIPTION	DIMENSION	QTY
1	10141	AUTO ADJUSTER NUT		1
2	11220	AUTO ADJUSTER BOLT	Ø 16 / 68 MM	1

<b>OKKS NUMBER</b>	11220
--------------------	-------



Caliper Adjusting Bolt

<b>OEM NUMBER</b>	
-------------------	--

NR	OKKS NR	DESCRIPTION	DIMENSION	QTY

<b>OKKS NUMBER</b>	11960
--------------------	-------



Auto Adjuster Tappet (39,35 MM)

<b>OEM NUMBER</b>	
-------------------	--

NR	OKKS NR	DESCRIPTION	DIMENSION	QTY

OKKS NUMBER	11961
-------------	-------



Auto Adjuster Tappet (50,75 MM)

OEM NUMBER	
------------	--

NR	OKKS NR	DESCRIPTION	DIMENSION	QTY

OKKS NUMBER	4109
-------------	------



Caliper Wedge Repair Kit

OEM NUMBER	
------------	--

NR	OKKS NR	DESCRIPTION	DIMENSION	QTY
1	11555	CRANKSHAFT KNUCKLE	Ø 31.90 MM	1
2	11557	CRANKSHAFT KNUCKLE BUSH		1

OKKS NUMBER	4110
-------------	------

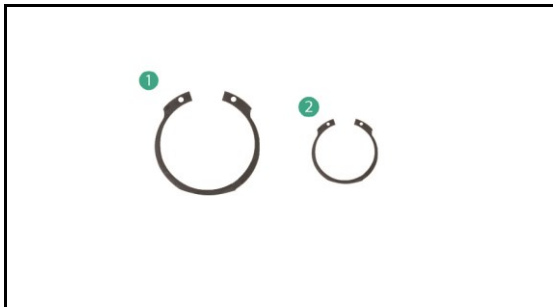


Caliper Crankshaft Knuckle Bush Set

OEM NUMBER	
------------	--

NR	OKKS NR	DESCRIPTION	DIMENSION	QTY
1	11557	CRANKSHAFT KNUCKLE BUSH		1

OKKS NUMBER	4263
-------------	------



Caliper Bolt Repair Kit

OEM NUMBER	
------------	--

NR	OKKS NR	DESCRIPTION	DIMENSION	QTY
1	11343	CLIPS	BIG	1
2	11344	CLIPS	SMALL	1



A series of horizontal dashed lines for writing notes.

A series of horizontal dashed lines for writing notes.

A series of horizontal dashed lines for writing notes.



444 6557  
OKKS

deep  
Caliper

OKKS  
Orta Karadeniz Kauçuk  
Sanayi ve Ticaret. Ltd. Sti.

Hasanağa Organize San. Bölğ. 14. Cadde No: 11  
Nilüfer - BURSA - TÜRKİYE

Tel.:+90 224 262 46 30 (6 Hat) Fax:+90 224 262 46 37

www.deepcaliper.com www.okks.com.tr  
info@deepcaliper.com info@okks.com.tr